

DATA SHEET

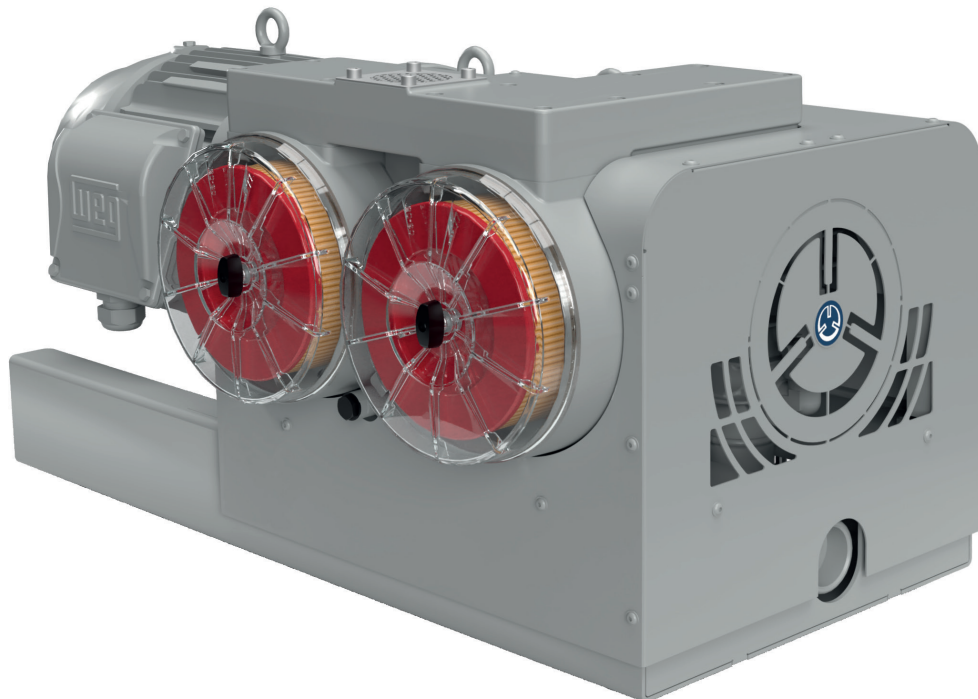
**BCP 300**

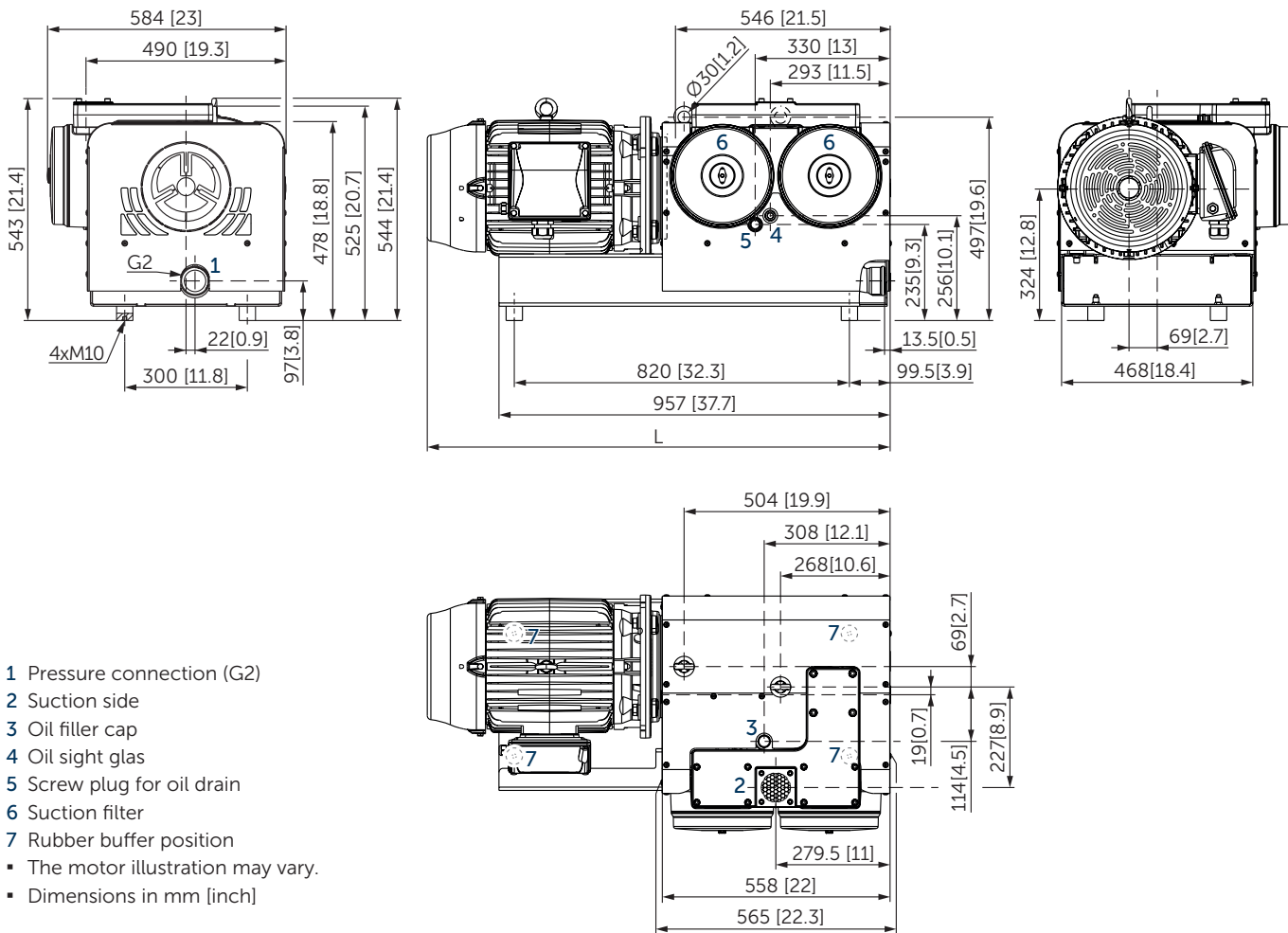
# CLAW COMPRESSORS

dry and contact free compression  
air-cooled

---

**MAKE IT BECKER.**



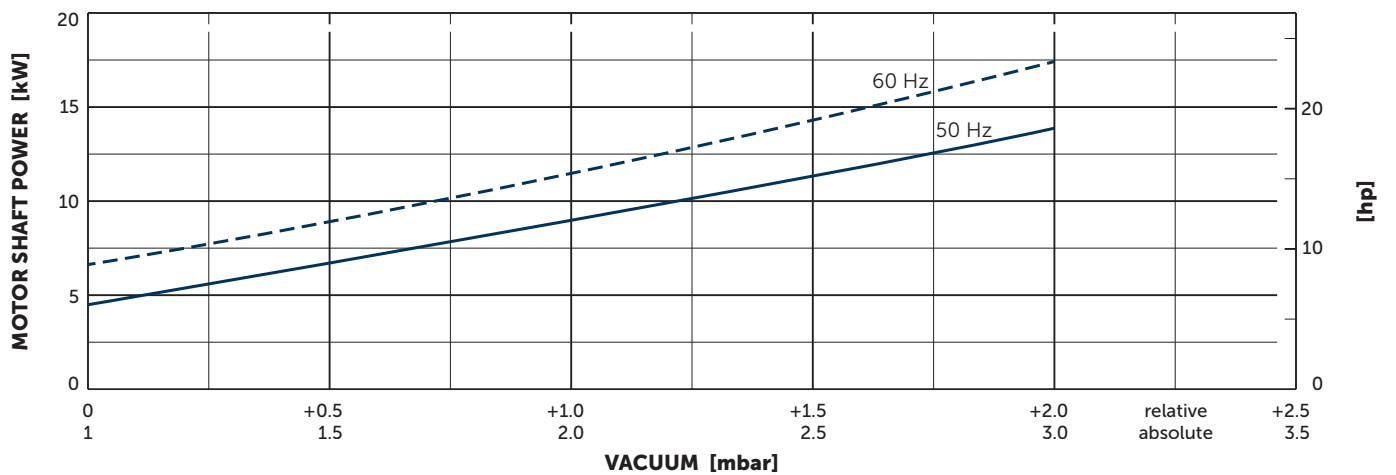
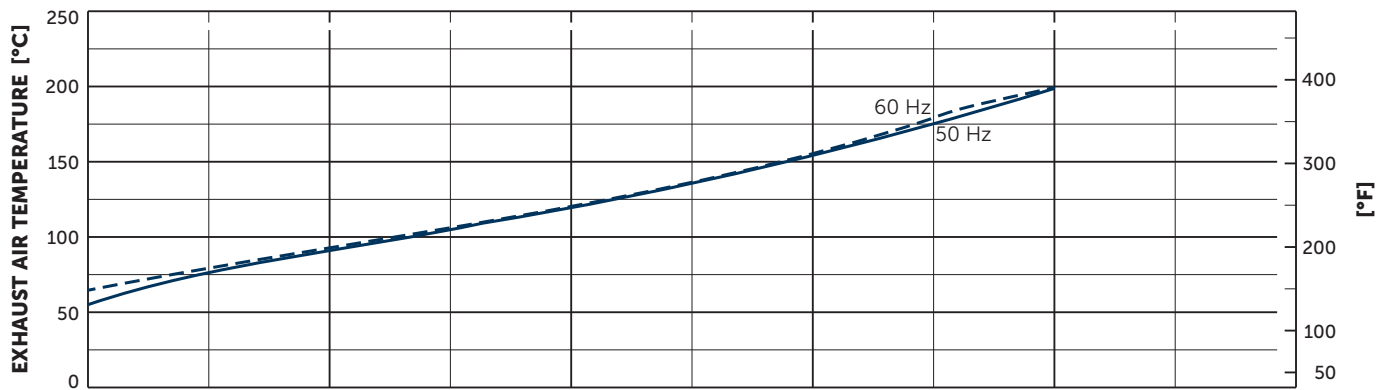
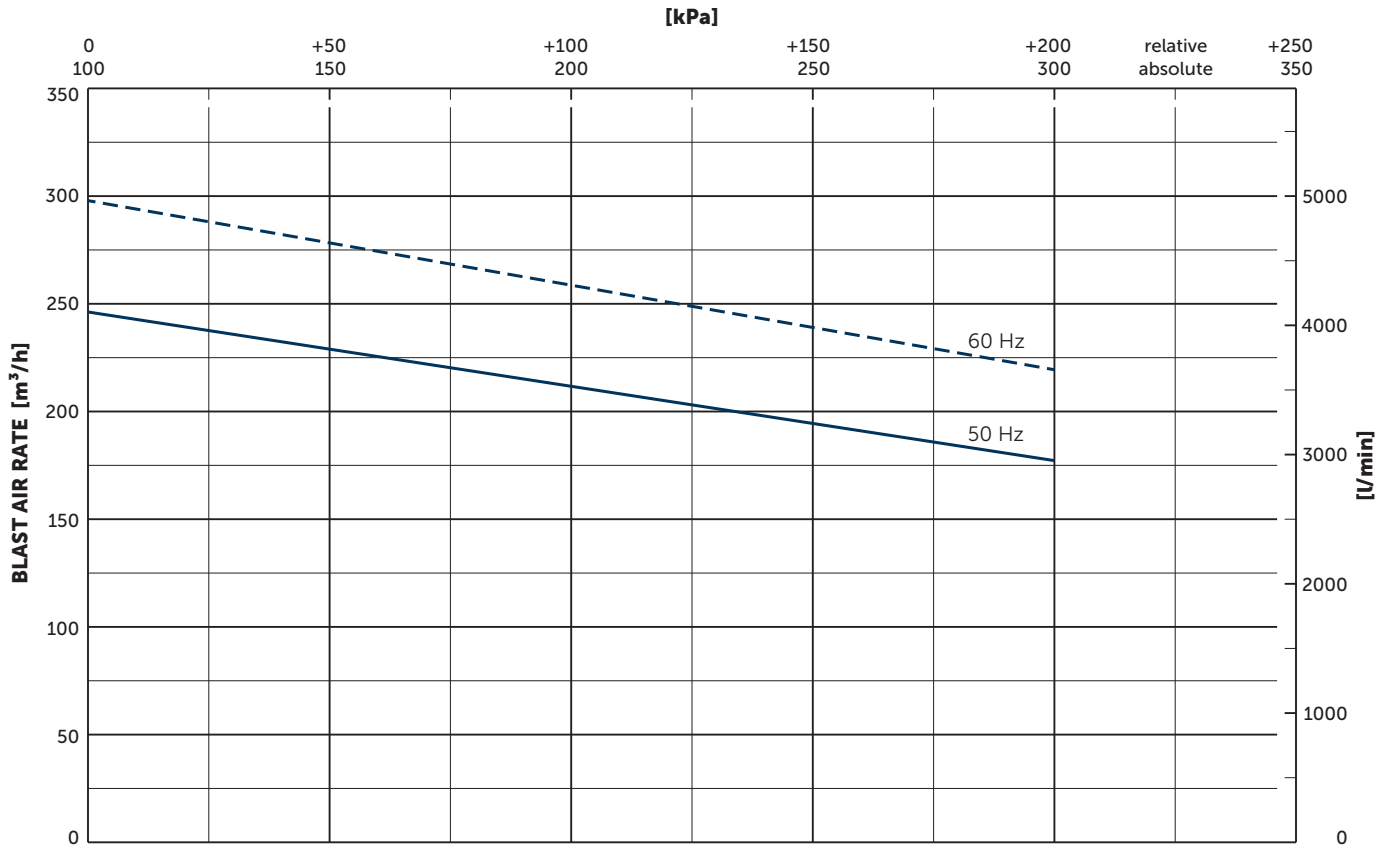


Nominal capacity		Pressure relative motor-dependent	Emission sound pressure level <sup>1)</sup>		Weight without motor
50 Hz	60 Hz		50 Hz	60 Hz	
275	325	+0.5/+1.3/+1.6/+2.0	82 (+1 bar)	86 (+1 bar)	≈205.5

<sup>1)</sup> According to DIN EN ISO 11203, accuracy class of measurement: class 2, extended measurement uncertainty: 3 dB  
 1 m [39.4 inch] distance, at medium load, both connection sides piped

Pressure relative bar	3~ Motors										Length L mm [inch]				
	#	50 Hz				60 Hz				Version		Weight kg			
	kW	V	min <sup>-1</sup>	A	kW	V	min <sup>-1</sup>	A							
+0.5	01	Δ380/Y660 IE3 2915 14.4/8.29				7.5	Δ460/Y – IE3 3535 12.4/ –			UL(E104590) CSA • CC029A IP55 • ISO F • PTC	70	953 [37.5]			
		Δ415/Y – IE3 2930 13.9/ –					Δ400/Y690 IE1 3470 16.5/9.56 Δ460/Y – IE2 3515 14.3/ –								
	02	7.5	Δ200/Y346	IE3	2945	28.6/16.5	9.0	Δ200/Y346	IE3	3510	32.0/18.5	UL(E104590) CSA • CC029A IP55 • ISO F • PTC	83	990 [39]	
								Δ220/Y380	IE3	3530	29.8/17.2				
	03	11.0	Δ230/Y400	IE3	2949	35.2/20.2	11.0	YY230/Y460 IE3 3557 35.7/17.8			UL(E104590) CSA • CC029A IP55 • ISO F • PTC	118	1086 [42.8]		
								11.0 YY208/Y – 3443 34.3/ –							
	04	11.0	Δ290/Y500	IE3	2950	27.5/16.0	11.0	Δ332/Y575 IE3 3555 24.7/14.3			UL(E104590) CSA • CC029A IP55 • ISO F • PTC	113	1086 [42.8]		
	+1.3	05	Δ380/Y660 IE3 2945 28.8/12.0				11.0	Δ460/Y – IE3 3555 17.8/ –			UL(E104590) CSA • CC029A IP55 • ISO F • PTC	118	1086 [42.8]		
			Δ415/Y – IE3 2950 19.7/ –					Δ460/Y – IE3 3518 20.9/ – Δ400/Y – IE2 3544 23.5/ –							
		06	11.0	Δ200/Y346	IE3	2955	43.0/24.8	13.2	Δ200/Y346	IE3	3535	47.6/27.5	UL(E104590) CSA • CC029A IP55 • ISO F • PTC	113	1086 [42.8]
									Δ220/Y380	IE3	3550	44.2/25.6			
07		15.0	Δ230/Y400	IE3	2945	48.1/27.7	15.0	YY230/Y460 IE3 3555 48.9/24.4			UL(E104590) CSA • CC029A IP55 • ISO F • PTC	126	1086 [42.8]		
								15.0 YY208/Y – 3543 52.6/ –							
08		15.0	Δ290/Y500	IE3	2945	38.1/22.1	15.0	Δ332/Y575 IE3 3555 33.9/19.6			UL(E104590) CSA • CC029A IP55 • ISO F • PTC	120	1086 [42.8]		
+2.0		09	Δ380/Y660 IE3 2940 28.2/16.2				15.0	Δ460/Y – IE3 3556 24.4/ –			UL(E104590) • CSA IP55 • ISO F • PTC	129	1086 [42.8]		
			Δ415/Y – IE3 2952 27.0/ –					Δ400/Y690 IE1 3515 31.8/18.5 Δ – /Y460 IE3 3543 – /28.3							
		10	15.0	Δ200/Y346	IE3	2955	55.4/32.0	18.0	Δ200/Y346	IE3	3530	63.0/36.4	UL(E104590) CSA • CC029A IP55 • ISO F • PTC	119	1086 [42.8]
									Δ220/Y380	IE3	3545	58.3/33.8			
	11	18.5	Δ230/Y400	IE3	2945	57.8/33.2	18.5	YY230/Y460 IE3 3555 58.9/29.4			UL(E104590) CSA • CC029A IP55 • ISO F • PTC	140	1130 [44.5]		
								18.5 YY208/Y – 3540 62.9/ –							
	12	18.5	Δ290/Y500	IE3	2950	46.3/26.9	18.5	Δ332/Y575 IE3 3555 41.8/24.1			UL(E104590) CSA • CC029A IP55 • ISO F • PTC	155	1130 [44.5]		

- Current consumption and rotation speed may vary. Tolerance in each case -1.5/+2%
- Motors 04, 06, 08, 10, 11 and 12 on request. The technical data are preliminary data and are subject to change.



Reference data (atmosphere): 1000 mbar (100 kPa), 20°C (68°F), measurements with integrated filter  
 Tolerance: ±10%



**MAKE IT BECKER.**