

DATA SHEET

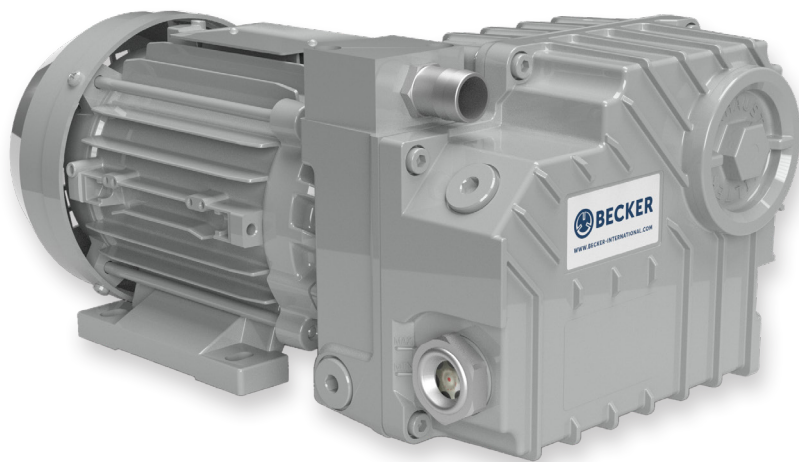
0 6.8

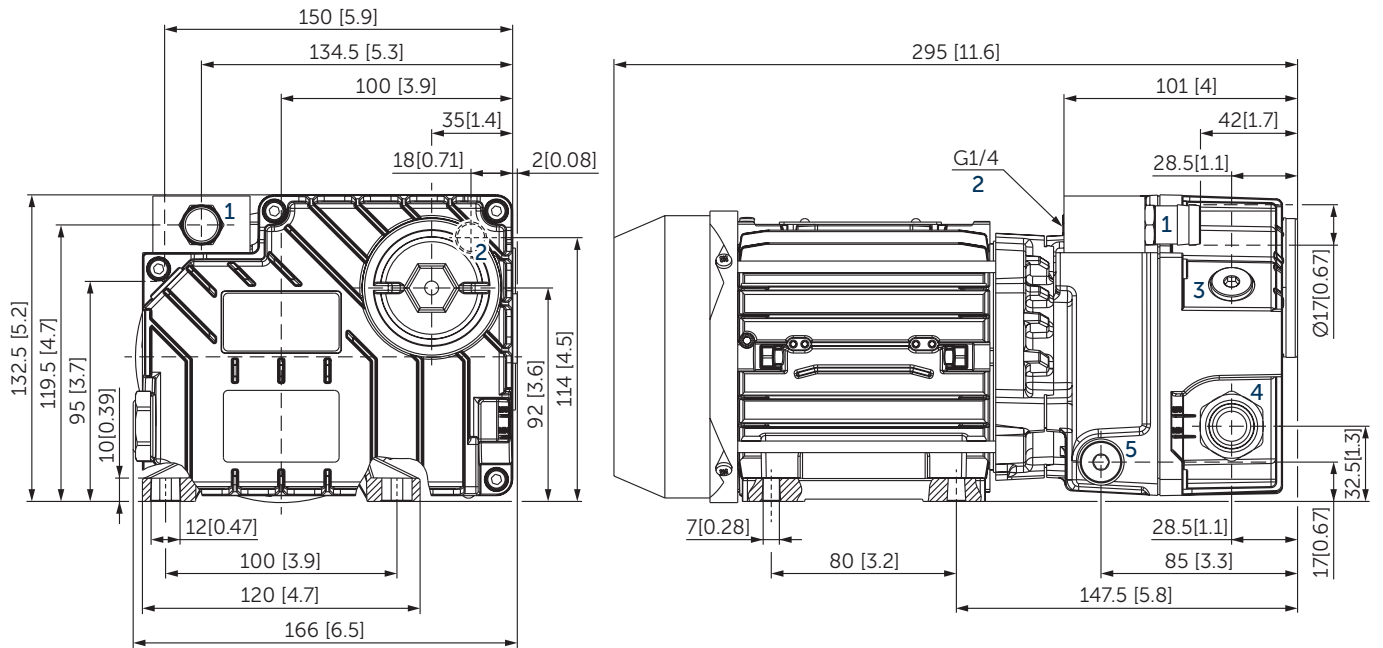
ROTARY VANE VACUUM PUMPS

oil-lubricated

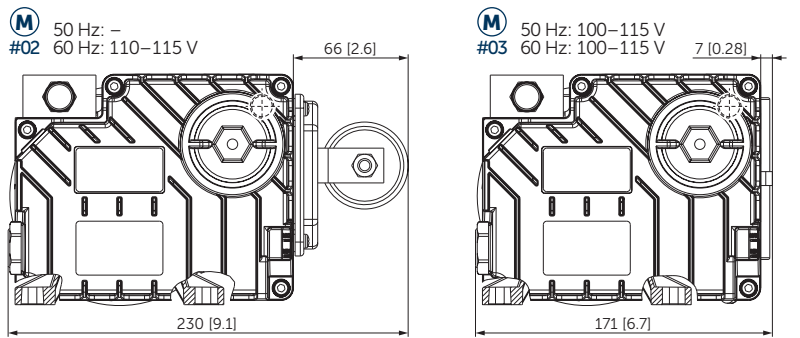
air-cooled

MAKE IT BECKER.





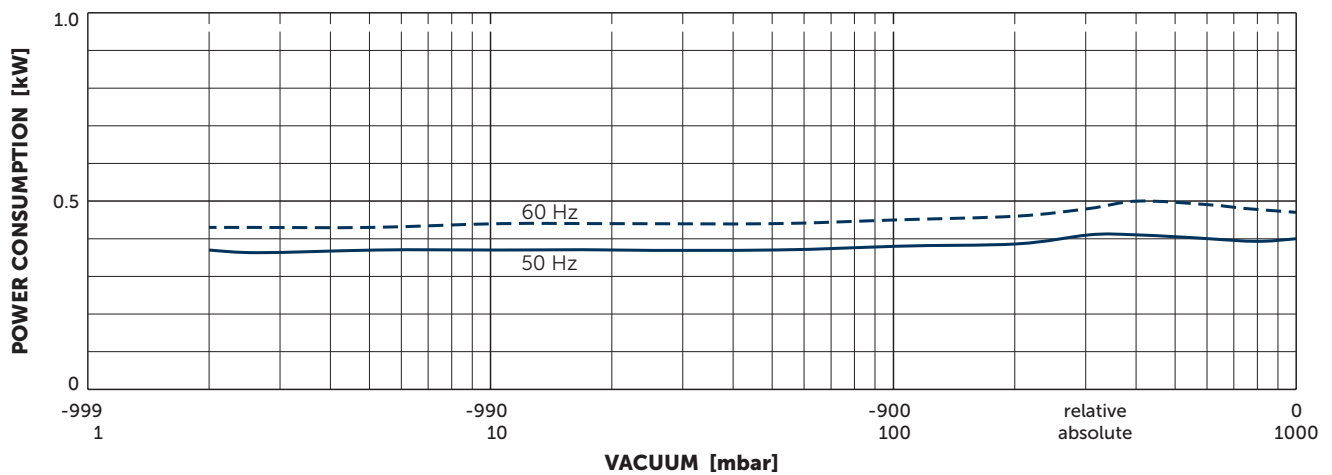
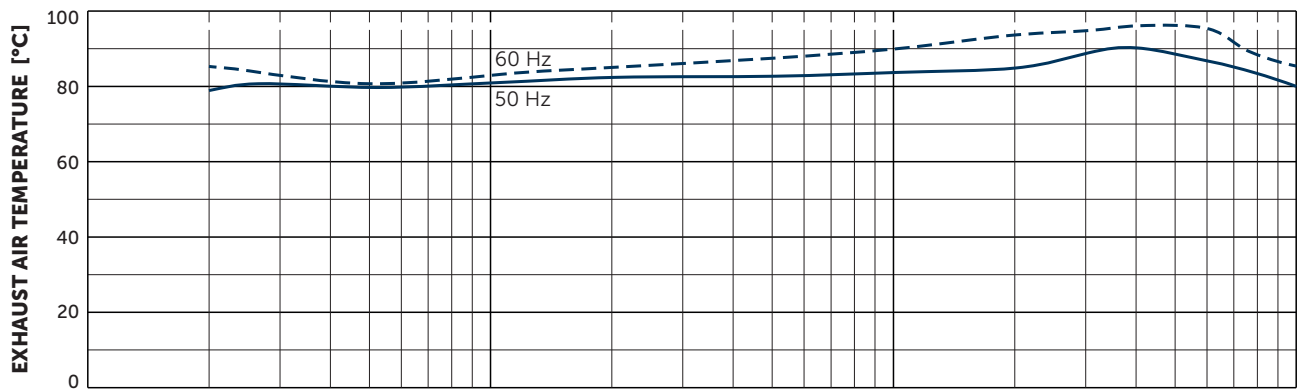
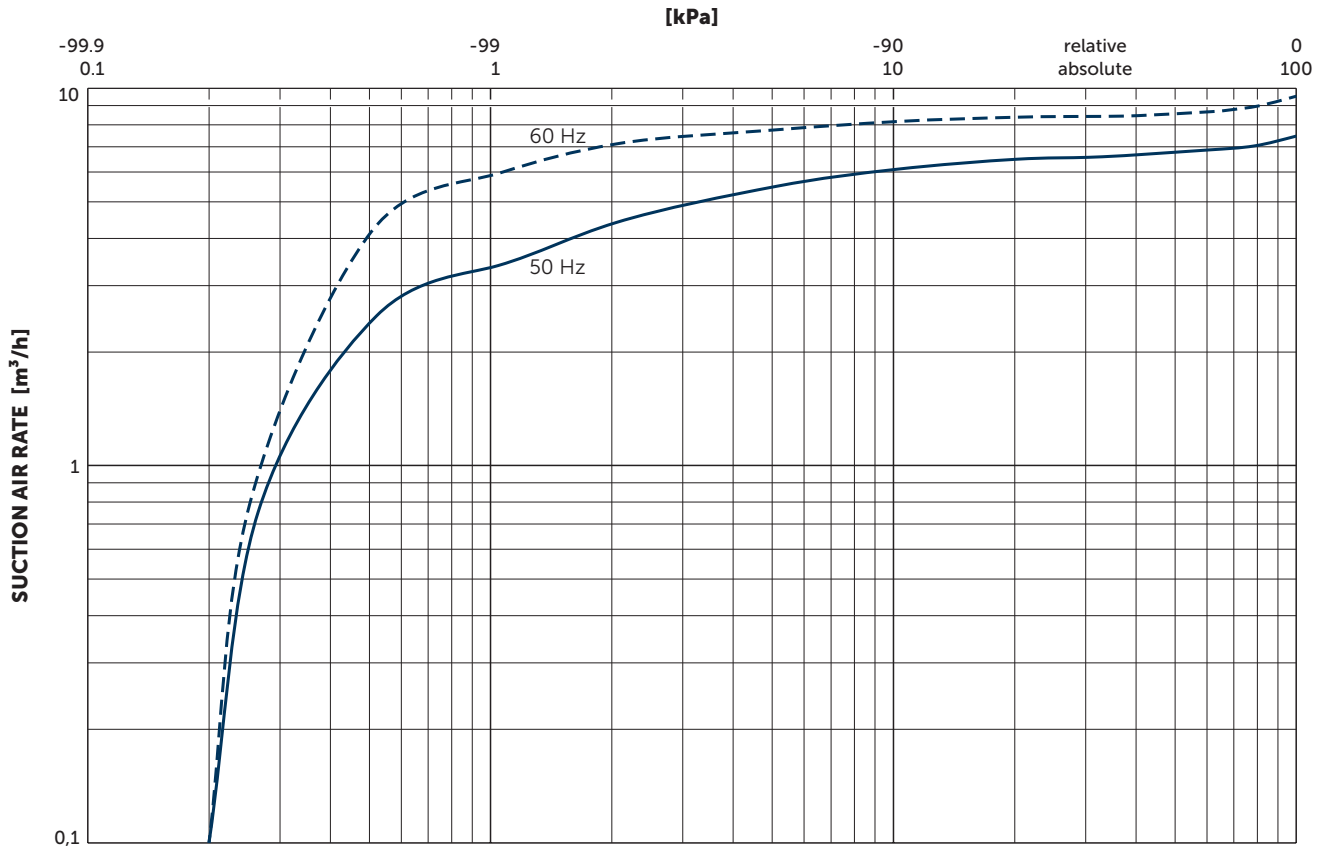
- 1 Vacuum connection Ø17 mm [0.67 inch] (G^{3/8})
- 2 Exhaust air connection (G^{1/4})
- 3 Oil filler cap
- 4 Oil sight glass
- 5 Screw plug for oil drain
 - Non-return valve and oil separator are integrated
 - The motor illustration may vary
 - Dimensions in mm [inch]



Nominal capacity		Vacuum absolute		Emission sound pressure level		Weight incl. motor	Oil Becker Lube ¹⁾
m ³ /h		mbar		dB(A), DIN EN ISO 2151, K 3db		kg	l
50 Hz	60 Hz	50 Hz	60 Hz	50 Hz	60 Hz		
8.0	9.6	2	2	58	60	≈10.0	0.2

1~ Motors									
#	50 Hz				60 Hz				Version
	kW	V	min ⁻¹	A	kW	V	min ⁻¹	A	
01	0.25	220-240	2920	2.3-2.6	0.30	220-240	3490	2.3-2.3	IP 55 • ISO F • bimetal capacitor 12,5 µF (450V)
02					0.36	110-115	3270	5.3-5.5	UL (E470936) • CSA IP 55 • ISO F • bimetal capacitor 50 µF (250V)
03	0.30	100-115	2870	5.0-5.5	0.36	100-115	3430	5.0-5.0	IP 55 • ISO F • bimetal capacitor 45 µF (450V)

¹⁾ Becker Lube M 32 mineral, S 32 synthetic, SL 32 food packaging or SM 32 food processing
 ▪ Type plate data on current consumption and rotation speed of the motors may vary. Tolerance -1.5/+2% in each case.



Suction air rate refers to the intake pressure
 Reference data (atmosphere): 1000 mbar (100 kPa), 20°C
 Tolerance: ±10%



MAKE IT BECKER.