

DATA SHEET

SV 400/1

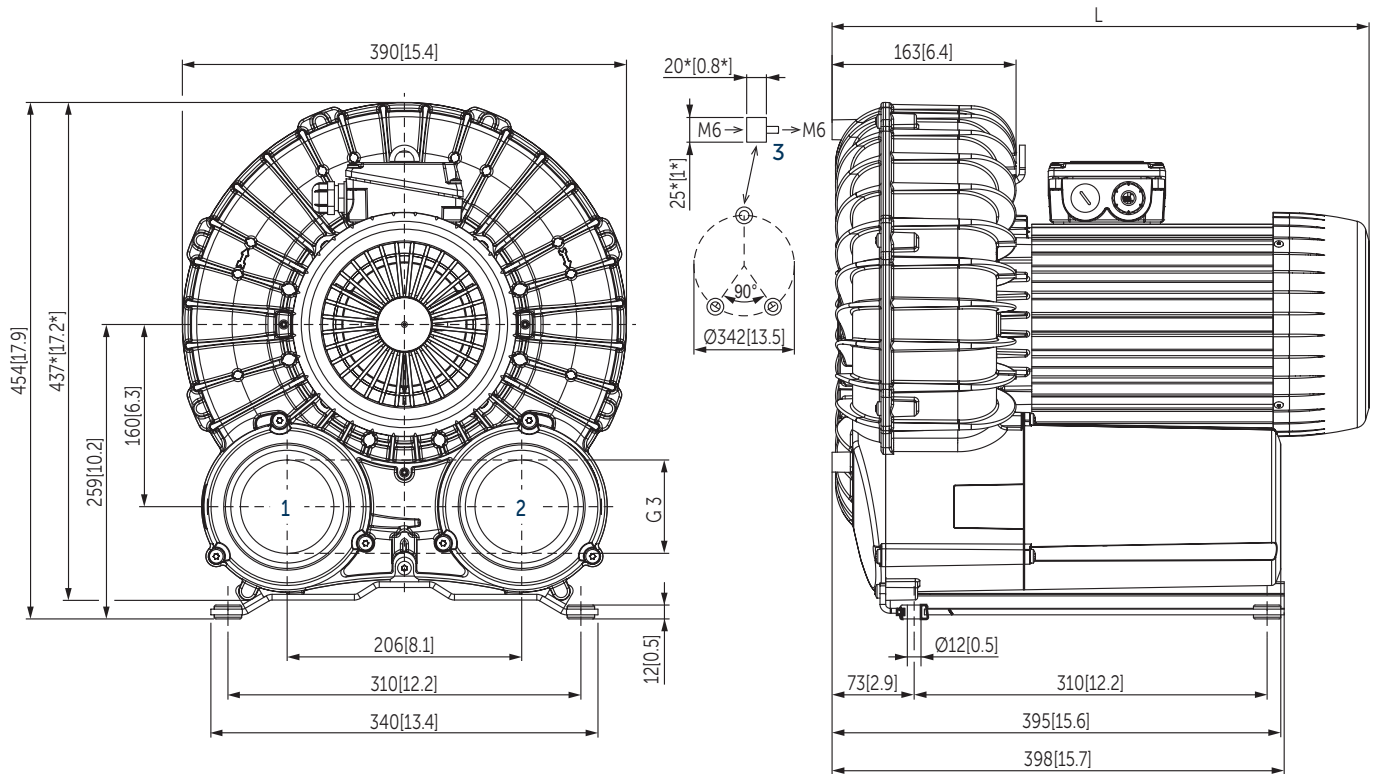
SIDE CHANNEL VACUUM PUMPS

single stage

air-cooled

MAKE IT BECKER.





- 1 Vacuum connection (G3)
- 2 Pressure connection (G3)
- 3 Rubber buffer position (optional)

* Device dimensions without pedestal under the silencer, with rubber buffers on the enclosure cover

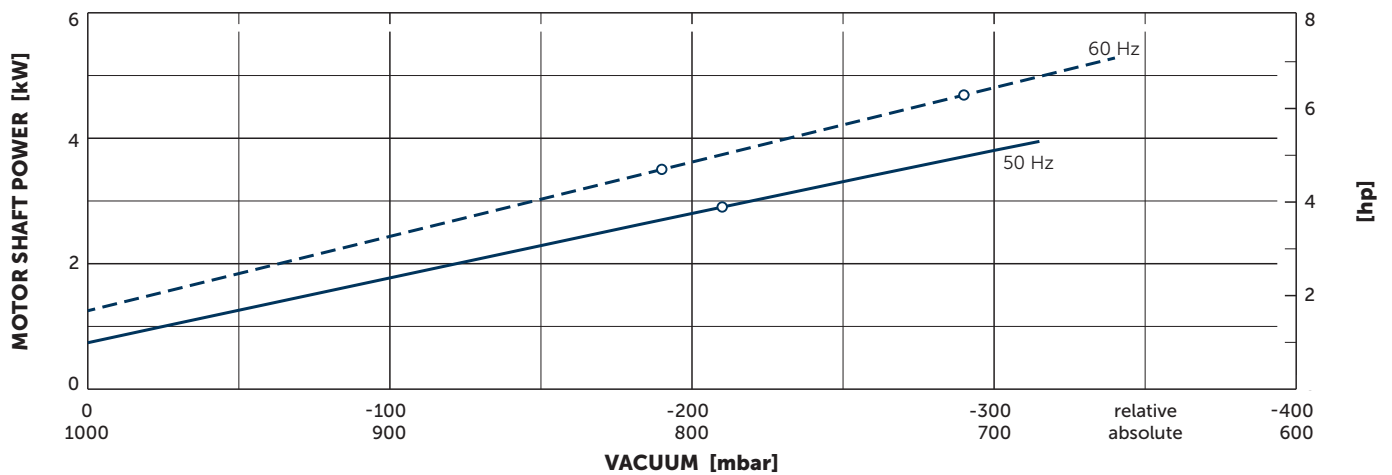
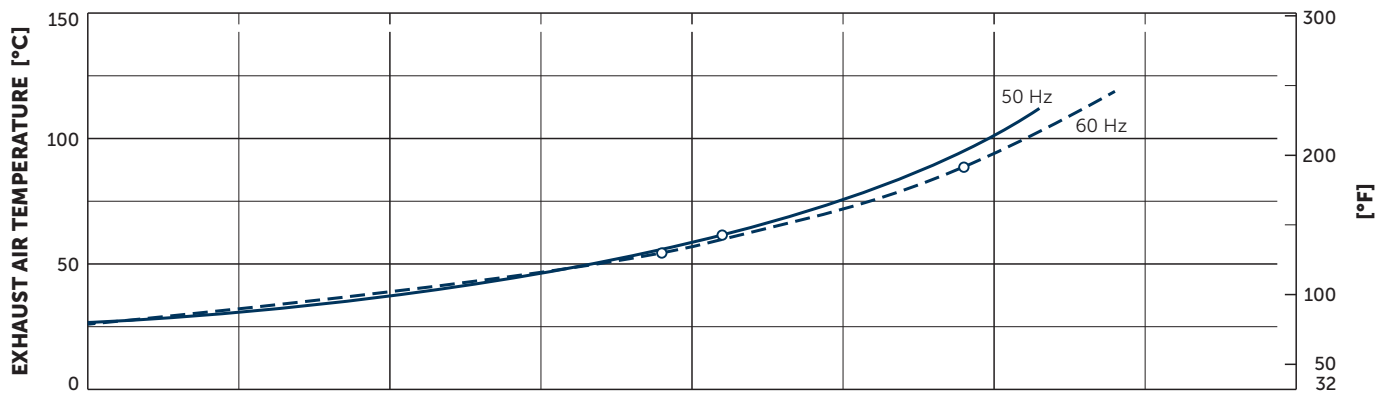
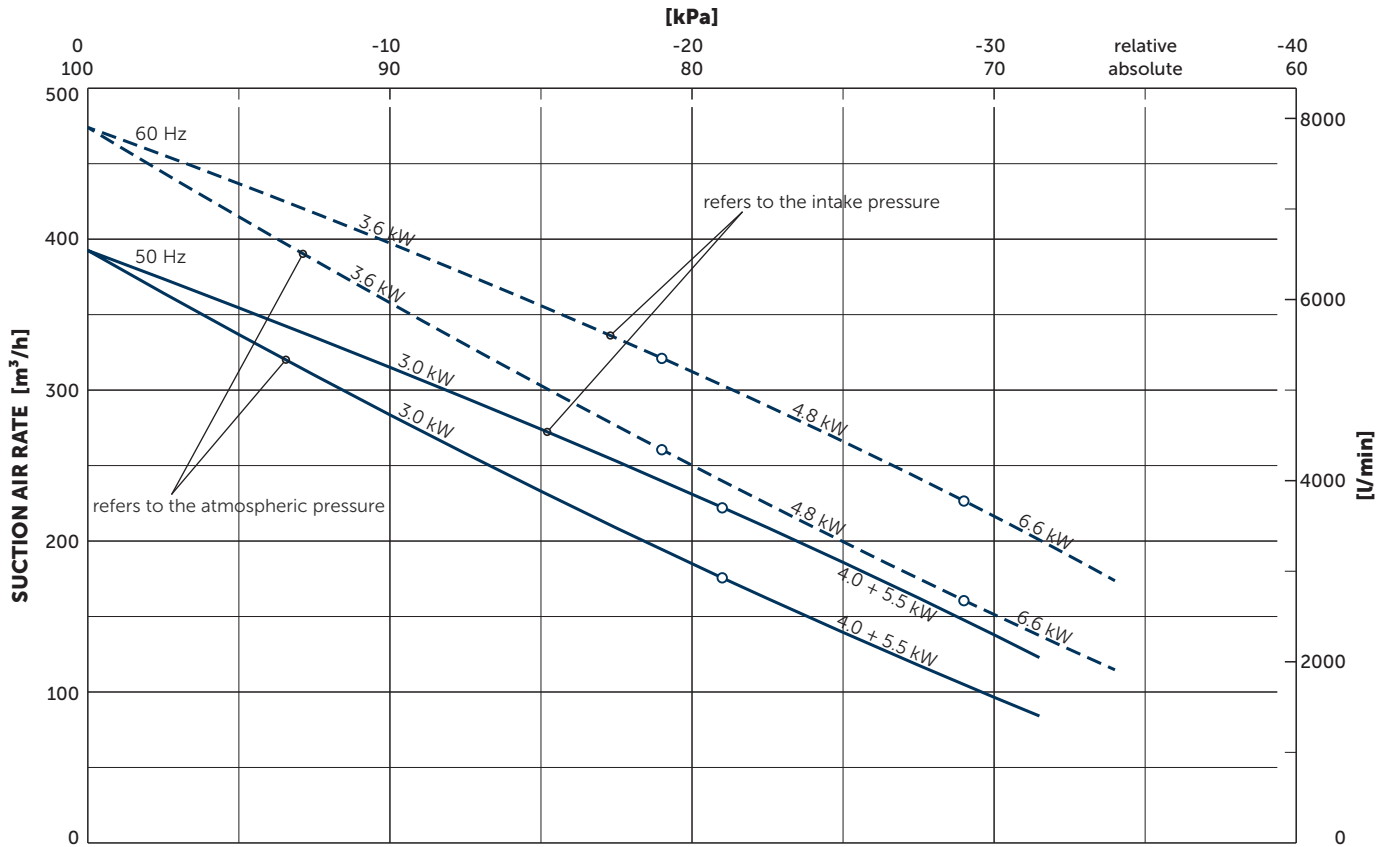
- The motor illustration may vary
- Dimensions in mm [inch]

Suction air rate		Vacuum relative		Motors		Emission sound pressure level ¹⁾		Weight with motor	L
m ³ /h		mbar		kW		dB(A)		kg	mm [inch]
50 Hz	60 Hz	50 Hz	60 Hz	50 Hz	60 Hz	50 Hz	60 Hz		
390	470	-210	-190	3.0	3.6	72.5 (-185 mbar)	74.4 (-185 mbar)	52.5	489 [19.3]
390	470	-315	-290	4.0	4.8	72.5 (-185 mbar)	74.4 (-185 mbar)	52.3–53.0	502 [19.8]
390	470	-315	-340	5.5	6.6	74.5 (-200 mbar)	74.0 (-200 mbar)	54.5	536 [21.1]

¹⁾ According to DIN EN ISO 11203, accuracy class of measurement: class 2, extended measurement uncertainty: 3 dB
1 m [39.4 inch] distance, at medium load, both connection sides piped

3~ Motors											
#	50 Hz					60 Hz				Version	
	kW	V	min ⁻¹	A	kW	V	min ⁻¹	A			
01	3.0	Δ230/Y400	IE3	2940	10.9/6.3	3.6	Δ265/Y460	IE3	3530	10.8/6.25	UL • CSA IP55 • ISO F • bimetal
							Δ230/Y400	IE3	3505	11.5/6.6	
02						3.6	YY230/Y460	IE3	3525	12.0/6.0	UL • CSA • CC301B IP55 • ISO F • bimetal
							YY208/Y –		3505	12.7/ –	
03	3.0	Δ200/Y350	IE3	2940	12.6/7.3	3.6	Δ220/Y380–400	IE3	3530	12.6/7.3–7.2	IP55 • ISO F • bimetal
							Δ200/Y350	IE3	3505	13.2/7.55	
04	4.0	Δ230/Y400	IE3	2930	14.6/8.4	4.8	Δ265/Y460	IE3	3520	14.3/8.25	UL • CSA IP55 • ISO F • bimetal
							Δ230/Y400	IE3	3490	15.4/8.85	
05						4.8	YY230/Y460	IE3	3530	15.5/7.7	UL • CSA • CC IP55 • ISO F • bimetal
							YY208	IE3	3500	16.6	
06	4.0	Δ200/Y350	IE3	2930	16.6/9.6	4.8	Δ220/Y380–400	IE3	3520	16.6/9.6–9.45	IP55 • ISO F • bimetal
							Δ200/Y350	IE3	3490	17.7/10.1	
07	5.5	Δ400/Y –	IE3	2930	11.9/ –	6.6	Δ460/Y –	IE3	3520	11.5/ –	UL • CSA IP55 • ISO F • bimetal
						5.5	Δ400/Y –	IE3	3520	10.2/ –	
08						6.6	Δ230/Y460	IE3	3496	20.6/11.9	UL • CSA • CC IP55 • ISO F • bimetal
							Δ265/Y460	IE3	3528	19.9/11.5	
							Δ208/Y –		3470	22.5	
09	5.5	Δ200/Y350	IE3	2935	26.9/15.4	6.6	Δ220/Y380–400	IE3	3530	24.0/14.3–13.9	IP55 • ISO F • bimetal
							Δ200/Y350	IE3	3500	24.7/14.1	

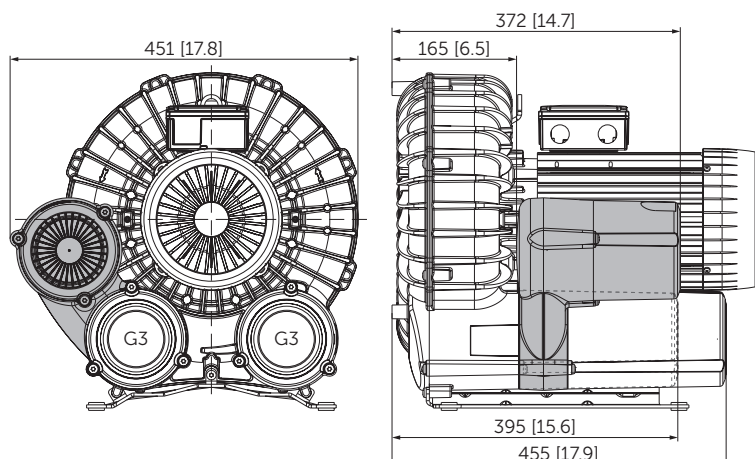
• Type plate data on current consumption and rotation speed of the motors may vary. Tolerance -1.5/+2% in each case.



Reference data (atmosphere): 1000 mbar (100 kPa), 20°C (68°F)
 Tolerance: ±10%
 Temperature: Ambient air -10°C ... 40°C (14°F ... 104°F), Inlet air 0°C ... 40°C (32°F ... 104°F)

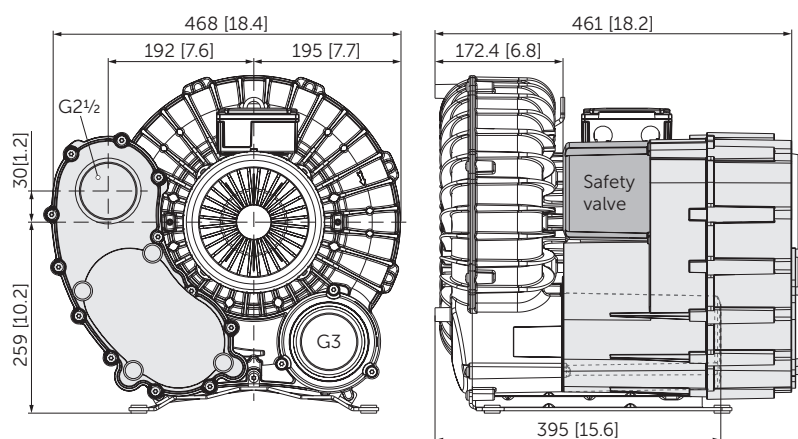
+ VARIANTS AND ACCESSORIES

VACUUM SAFETY VALVE



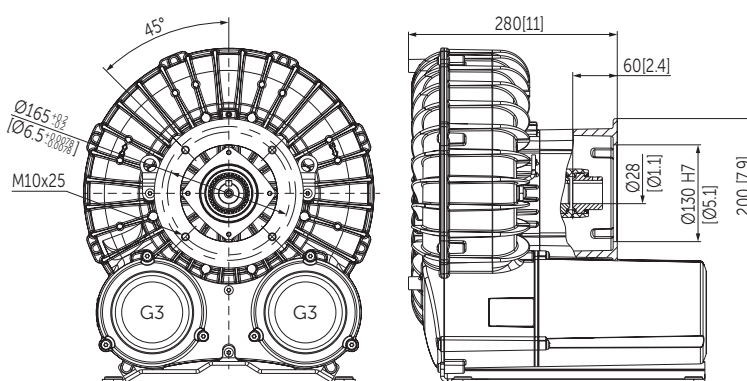
SUCTION FILTER

- Vacuum-sealed filter housing
- Paper or polyester insert
- Can be combined with vacuum safety valve



WITHOUT MOTOR

- With coupling for flange motor
- The motor must be supported!



OTHER VARIANTS AND ACCESSORIES

- With increased corrosion protection
- VARIAIR SV 400/1 with frequency inverter VAU11-22/3 for 100 Hz operation¹⁾
- Sound proof box SH 18¹⁾ – Not with 5.5/6.6 kW motors!

¹⁾ See separate data sheet

- Dimensions in mm [inch] – For other dimensions, see the figure on page 2.
- Possible combinations on request



Sound proof box SH 18



MAKE IT BECKER.