

DATA SHEET

SV 500/1

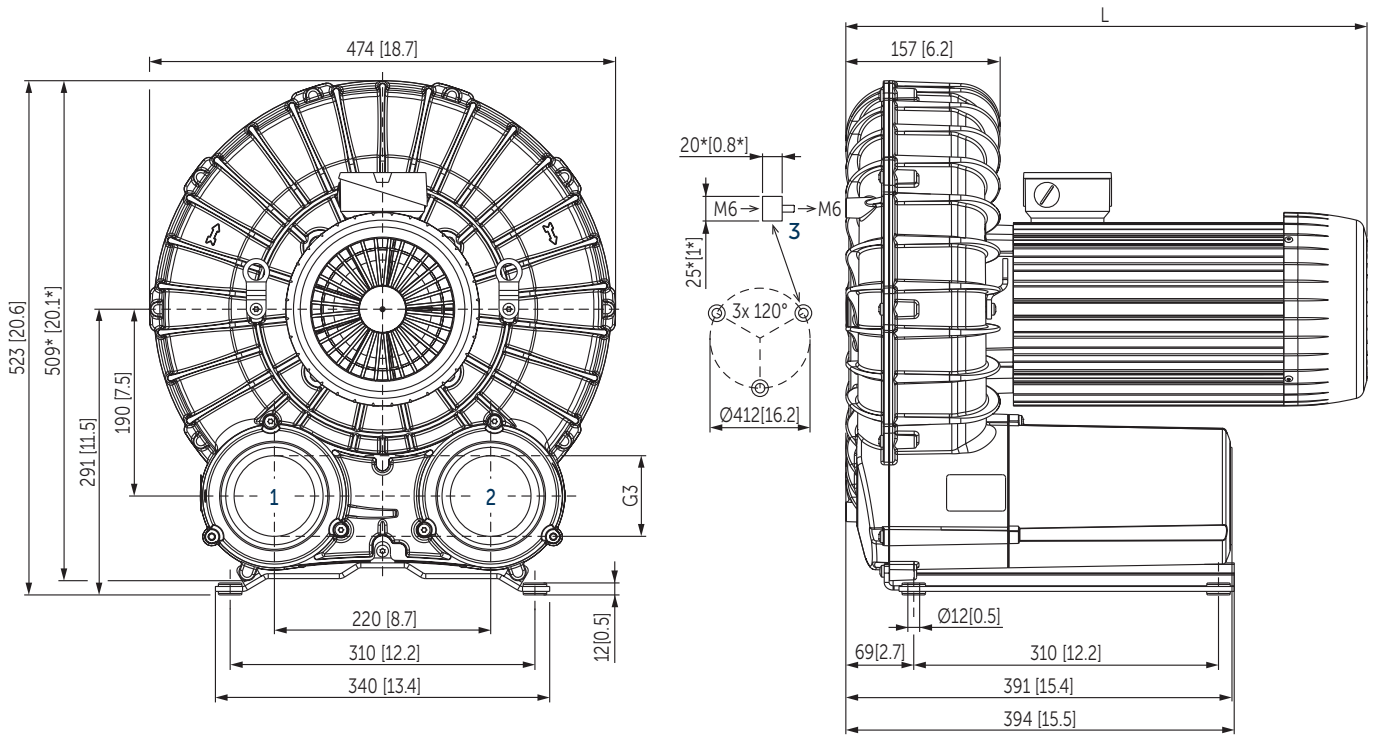
SIDE CHANNEL VACUUM PUMPS

single stage

air-cooled

MAKE IT BECKER.





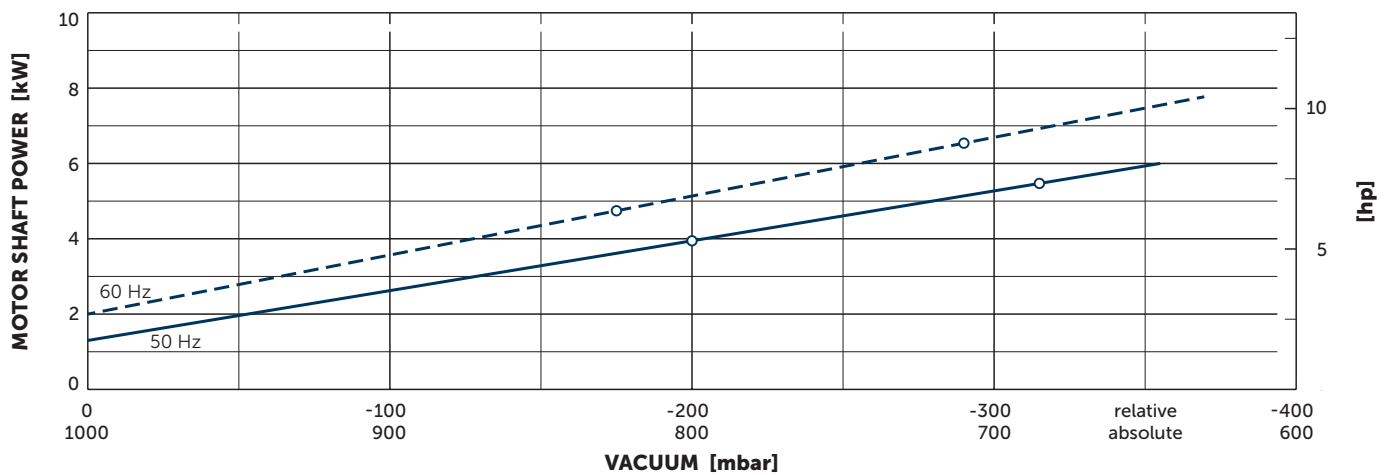
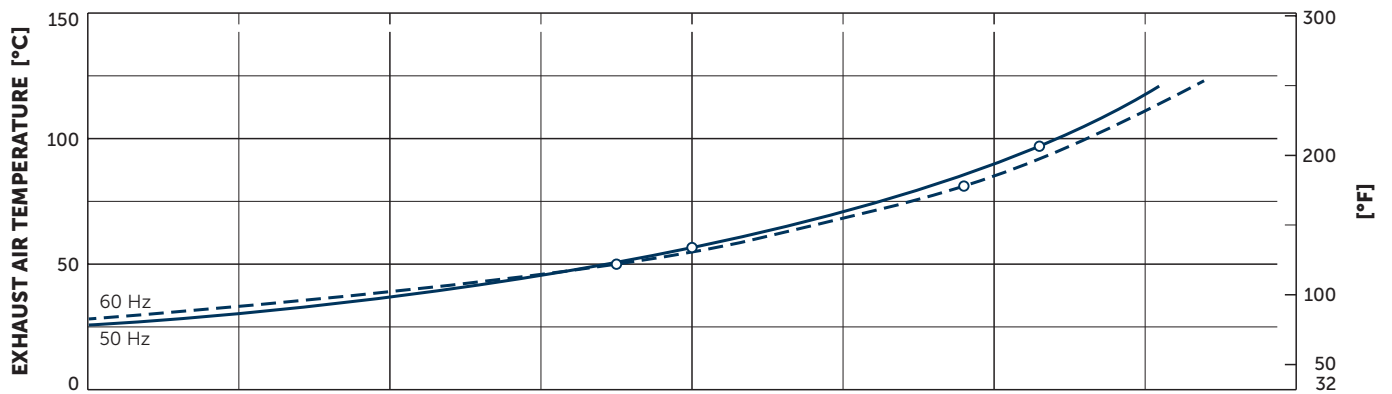
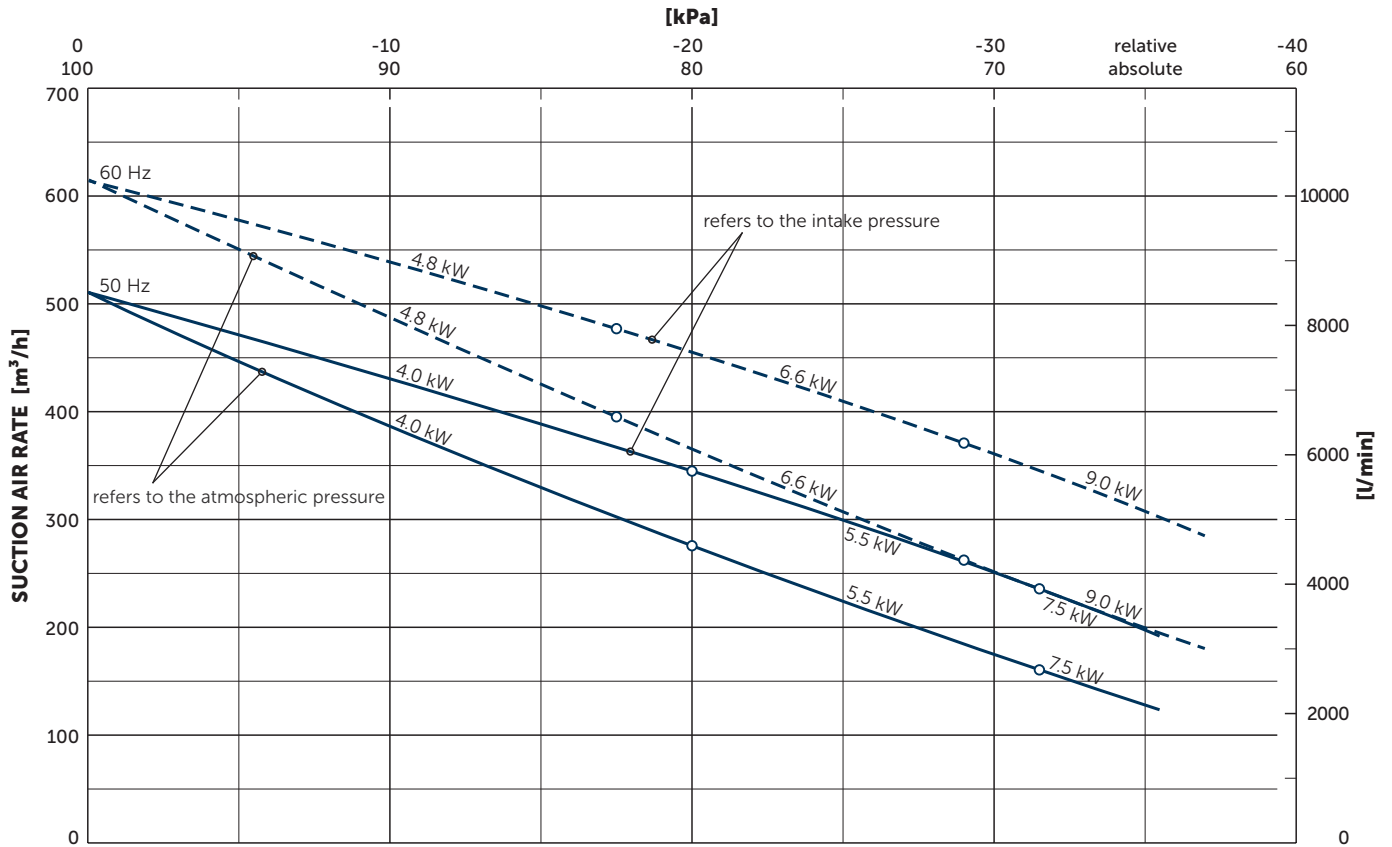
- 1 Vacuum connection (G3)
- 2 Pressure connection (G3)
- 3 Rubber buffer position (optional)
- * Device dimensions without pedestal under the silencer, with rubber buffers on the enclosure cover
- The motor illustration may vary
- Dimensions in mm [inch]

Suction air rate		Vacuum relative		Motors		Emission sound pressure level ¹⁾		Weight with motor	L
m ³ /h		mbar		kW		dB(A)		kg	mm [inch]
50 Hz	60 Hz	50 Hz	60 Hz	50 Hz	60 Hz	50 Hz	60 Hz		
510	610	-200	-175	4.0	4.8	75.5 (-230 mbar)	76.7 (-245 mbar)	60.7–61.5	496 [19.5]
510	610	-315	-290	5.5	6.6	75.5 (-230 mbar)	76.7 (-245 mbar)	66.5	530 [20.9]
510	610	-355	-370	7.5	9.0	75.5 (-230 mbar)	76.7 (-245 mbar)	75.5	600 [23.6]

¹⁾ According to DIN EN ISO 11203, accuracy class of measurement: class 2, extended measurement uncertainty: 3 dB
1 m [39.4 inch] distance, at medium load, both connection sides piped

3~ Motors											
#	50 Hz					60 Hz					Version
	kW	V	IE3	min ⁻¹	A	kW	V	IE3	min ⁻¹	A	
01	4.0	Δ230/Y400	IE3	2930	14.6/8.4	4.8	Δ265/Y460	IE3	3520	14.3/8.25	UL • CSA IP55 • ISO F • bimetal
							Δ230/Y400	IE3	3490	15.4/8.85	
02						4.8	YY230/Y460	IE3	3530	15.5/7.7	UL • CSA • CC IP55 • ISO F • bimetal
							YY208	IE3	3500	16.6	
03	4.0	Δ200/Y350	IE3	2930	16.6/9.6	4.8	Δ220/Y380–400	IE3	3520	16.6/9.6–9.45	IP55 • ISO F • bimetal
							Δ200/Y350	IE3	3490	17.7/10.1	
04						4.8	Δ400	IE3	3530	9.0	UL • CSA • CC IP55 • ISO F • bimetal
05	5.5	Δ400/Y690	IE3	2930	11.9/6.9	6.6	Δ460	IE3	3520	11.5	UL • CSA IP55 • ISO F • bimetal
							Δ400/Y690	IE3	3520	10.2/5.9	
06						6.6	Δ230/Y400	IE3	3496	20.6/11.9	UL • CSA • CC IP55 • ISO F • bimetal
							Δ265/Y460	IE3	3528	19.9/11.5	
							Δ208		3470	22.5	
07	5.5	Δ200/Y350	IE3	2935	26.9/15.4	6.6	Δ220/Y380–400	IE3	3530	24.0/13.9–14.3	IP55 • ISO F • bimetal
							Δ200/Y350	IE3	3500	24.7/14.1	
08						6.6	Δ400/Y690	IE3	3520	13.2/7.65	UL • CSA IP55 • ISO F • bimetal
09	7.5	Δ400/Y690	IE3	2940	16.1/9.3	9.0	Δ460	IE3	3535	15.7	UL • CSA IP55 • ISO F • bimetal
							Δ400/Y690	IE3	3505	16.3/9.45	
10						9.0	YY230/Y460	IE3	3545	28.9/17.4	UL • CSA • CC IP55 • ISO F • bimetal
							YY208		3485	31.0	
11	7.5	Δ200/Y350	IE3	2945	38.1/21.8	9.0	Δ220/Y380–400	IE3	3540	32.8/19.0–20.0	IP55 • ISO F • bimetal
							Δ200/Y350	IE3	3520	33.3/19.1	
12						9.0	Δ400	IE3	3520	17.2	UL • CSA • CC IP55 • ISO F • bimetal

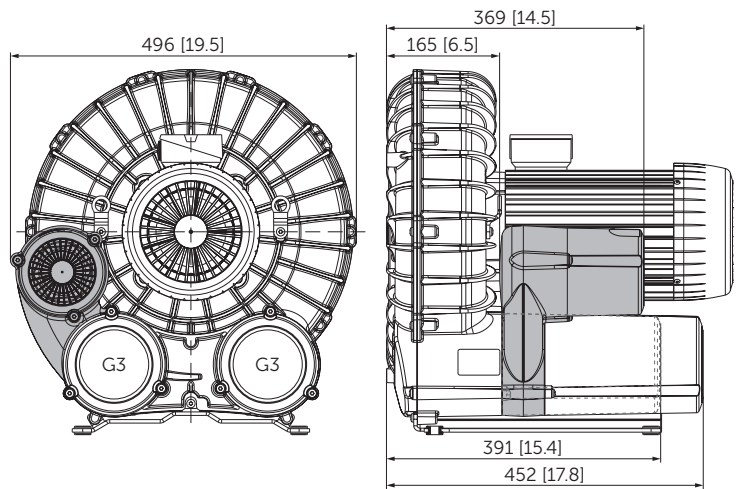
• Type plate data on current consumption and rotation speed of the motors may vary. Tolerance -1.5/+2% in each case.



Reference data (atmosphere): 1000 mbar (100 kPa), 20°C (68°F)
 Tolerance: ±10%
 Temperature: Ambient air -10°C ... 40°C (14°F ... 104°F), Inlet air 0°C ... 40°C (32°F ... 104°F)

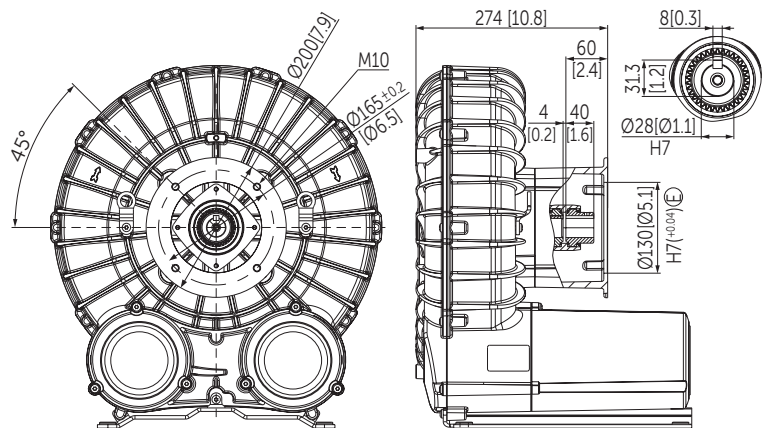
+ VARIANTS AND ACCESSORIES

VACUUM SAFETY VALVE



WITHOUT MOTOR

- With coupling for flange motor
- The motor must be supported!



OTHER VARIANTS AND ACCESSORIES

- External suction filter
- With increased corrosion protection
- VARIAIR SV 500/1 with frequency inverter VAU11-22/3 for 100 Hz operation¹⁾
- Sound proof box SH 18¹⁾ – Not with 7.5/9.0 kW motors!

¹⁾ See separate data sheet

- Dimensions in mm [inch] – For other dimensions, see the figure on page 2.
- Possible combinations on request



Sound proof box SH 18



MAKE IT BECKER.