

DATA SHEET

**SV 1101/1**

# **SIDE CHANNEL VACUUM PUMPS**

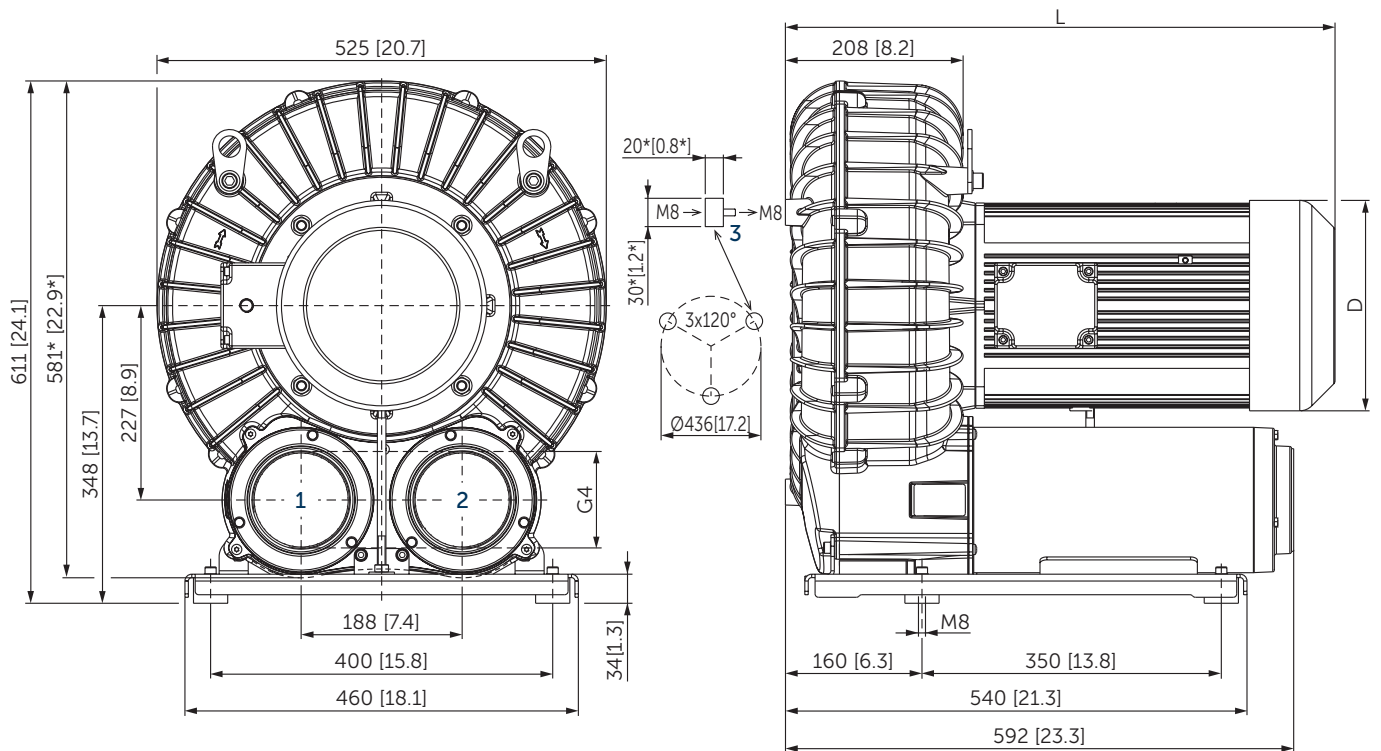
single stage

air-cooled

---

**MAKE IT BECKER.**



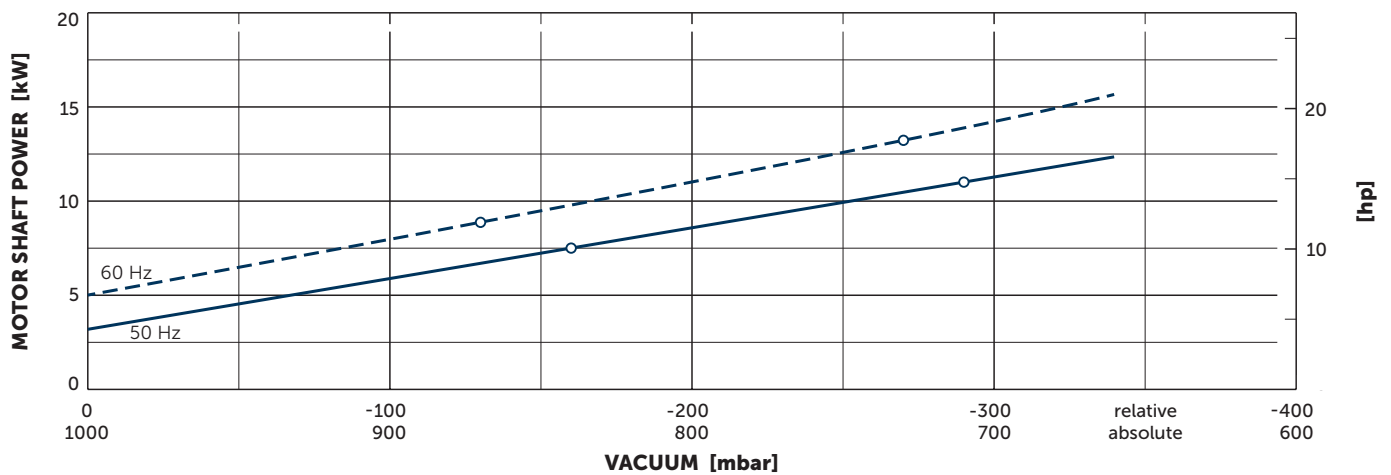
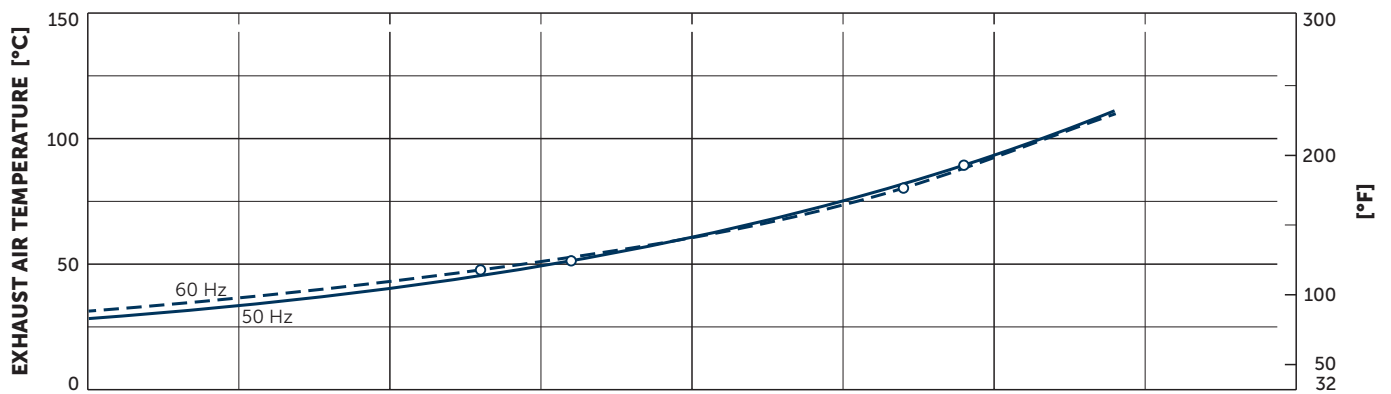
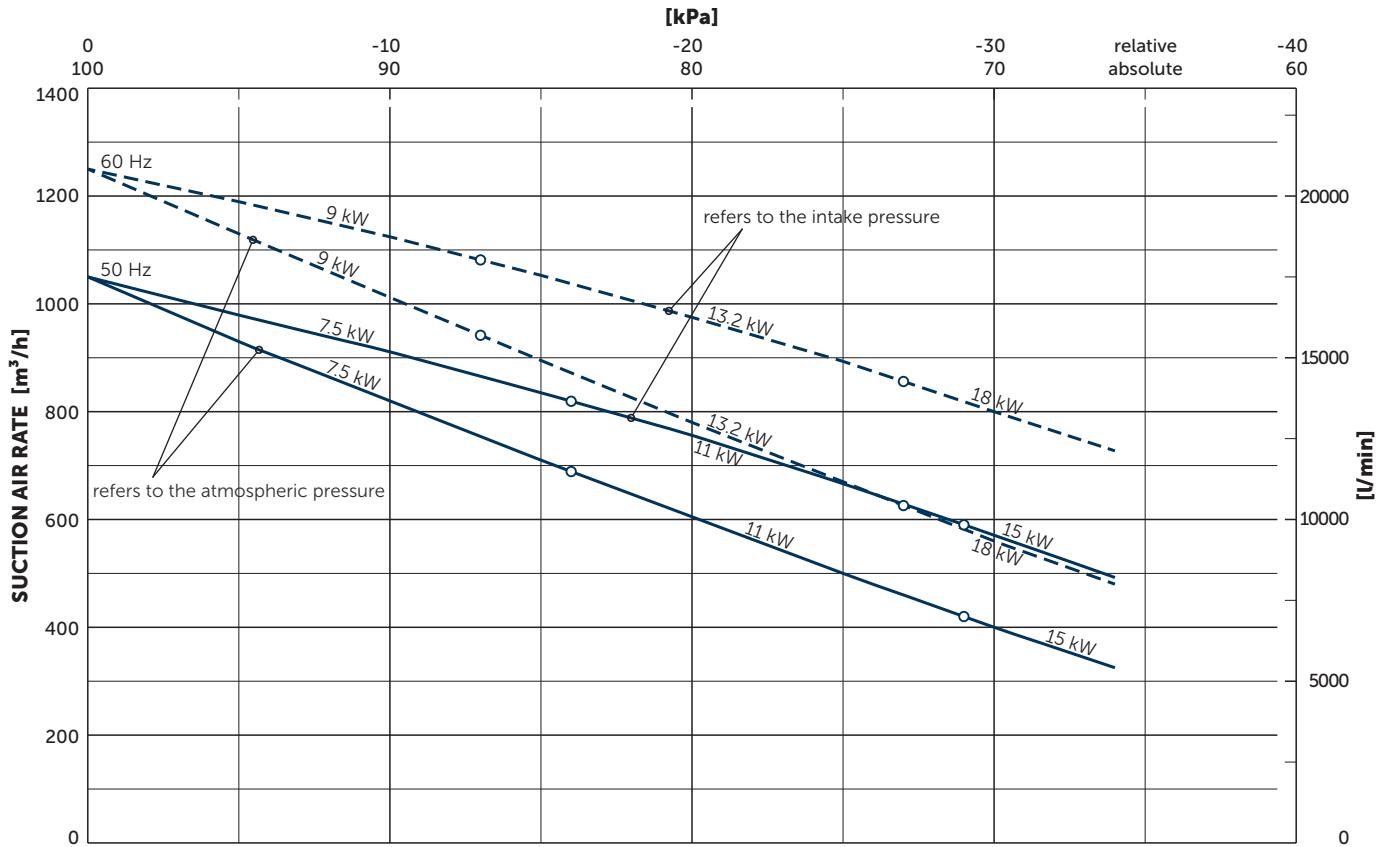


- 1 Vacuum connection (G4)
- 2 Pressure connection (G4)
- 3 Rubber buffer position (optional)
- \* Device dimensions without pedestal under the silencer, with rubber buffers on the enclosure cover
- The motor illustration may vary
- Dimensions in mm [inch]

Suction air rate		Vacuum relative		Motors		Emission sound pressure level <sup>1)</sup>		Weight with motor	D	L
m <sup>3</sup> /h		mbar		kW		dB(A)		kg	mm [inch]	mm [inch]
50 Hz	60 Hz	50 Hz	60 Hz	50 Hz	60 Hz	50 Hz	60 Hz			
1050	1250	-160	-130	7.5	9.0	73 (-110 mbar)	77 (-90 mbar)	118	246 [9.7]	622 [24.5]
1050	1250	-290	-270	11.0	13.2	75 (-195 mbar)	79 (-180 mbar)	125	246 [9.7]	643 [25.3]
1050	1250	-340	-340	15.0	18.0	75 (-215 mbar)	79 (-215 mbar)	157	312 [12.3]	680 [26.8]

<sup>1)</sup> According to DIN EN ISO 11203, accuracy class of measurement: class 2, extended measurement uncertainty: 3 dB  
1 m [39.4 inch] distance, at medium load, both connection sides piped

3~ Motors											
#	50 Hz					60 Hz					Version
	kW	V		min <sup>-1</sup>	A	kW	V		min <sup>-1</sup>	A	
01	7.5	Δ400	IE3	2910	13.5	9.0	Δ460 Δ400	IE3	3500 3450	13.9 16.1	UL • CSA IP55 • ISO F • bimetal
02						9.0	YY230/Y460 YY208	IE3	3505 3475	27.8/13.9 30.7	UL • CSA IP55 • ISO F • bimetal
03	7.5	Δ200/Y350	IE3	2920	27.0/15.6	9.0	Δ220/Y380–400 Δ200/Y350	IE3	3500 3465	29.1/16.8 31.7/18.3	IP55 • ISO F • bimetal
04	11.0	Δ400	IE3	2930	21.8	13.2	Δ460 Δ400	IE3	3525 3490	21.9 23.7	UL • CSA IP55 • ISO F • bimetal
05						13.2	YY230/Y460 YY208	IE3	3530 3505	44.8/22.4 46.5	UL • CSA IP55 • ISO F • bimetal
06	11.0	Δ200/Y350	IE3	2920	41.4/23.9	13.2	Δ220/Y380–400 Δ200/Y350	IE3	3510 3465	43.3/25.0 46.8/27.0	IP55 • ISO F • bimetal
07	15.0	Δ400	IE3	2950	27.7	18.0	Δ460 Δ400	IE3	3545 3520	28.0 31.5	UL • CSA IP55 • ISO F • bimetal
08						18.0	YY230/Y460 YY208	IE3	3545 3525	56.0/28.0 60.5	UL • CSA IP55 • ISO F • bimetal
09	15.0	Δ200/Y350	IE2	2950	58.3/33.7	18.0	Δ200/Y350	IE2	3525	62.5/36.0	IP55 • ISO F • bimetal



Reference data (atmosphere): 1000 mbar (100 kPa), 20°C (68°F)  
 Tolerance: ±10%  
 Temperature: Ambient air -10°C ... 40°C (14°F ... 104°F), Inlet air 0°C ... 40°C (32°F ... 104°F)

## **+** VARIANTS AND ACCESSORIES

- External suction filter<sup>1)</sup>
- External vacuum safety valve
- Rubber buffers for vertical installation



Example for an external suction filter

<sup>1)</sup> See separate data sheet

- Possible combinations on request



**MAKE IT BECKER.**