

DATA SHEET

SV 700/1

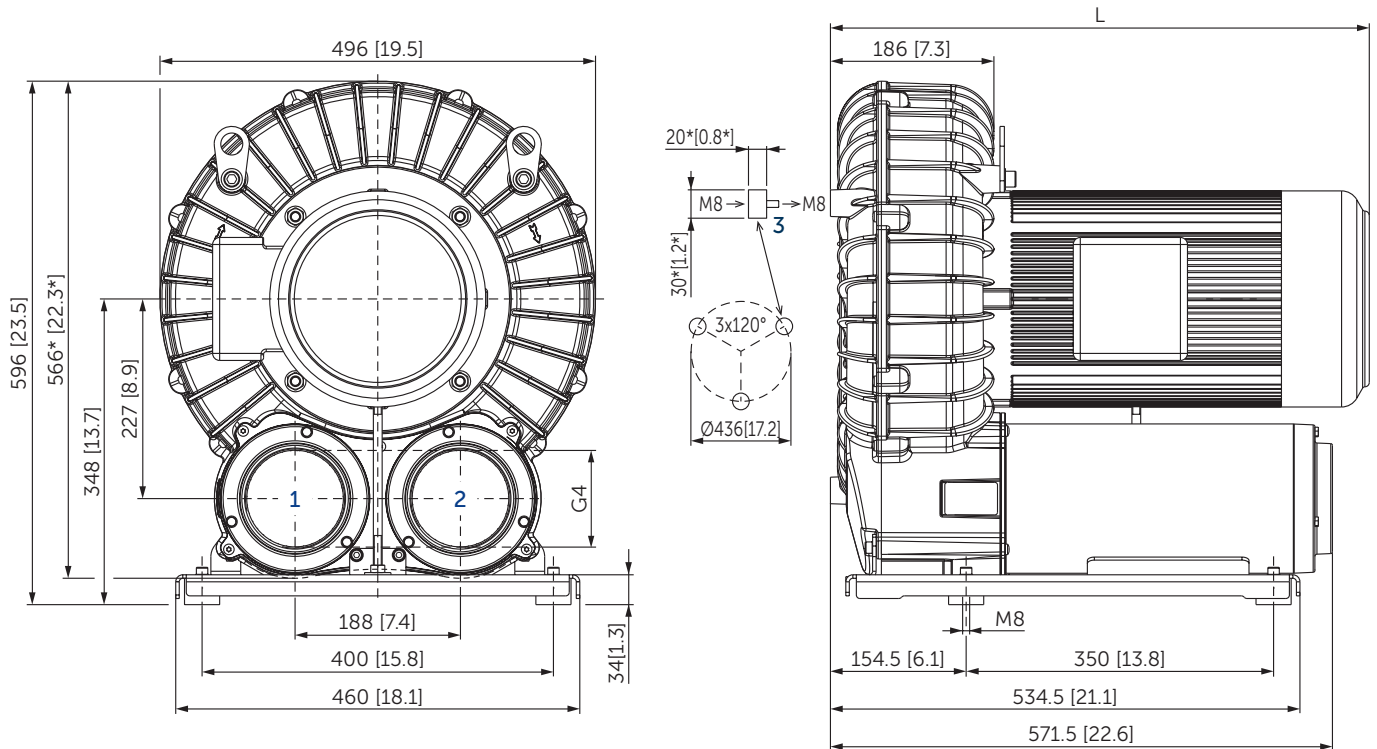
SIDE CHANNEL VACUUM PUMPS

single stage

air-cooled

MAKE IT BECKER.





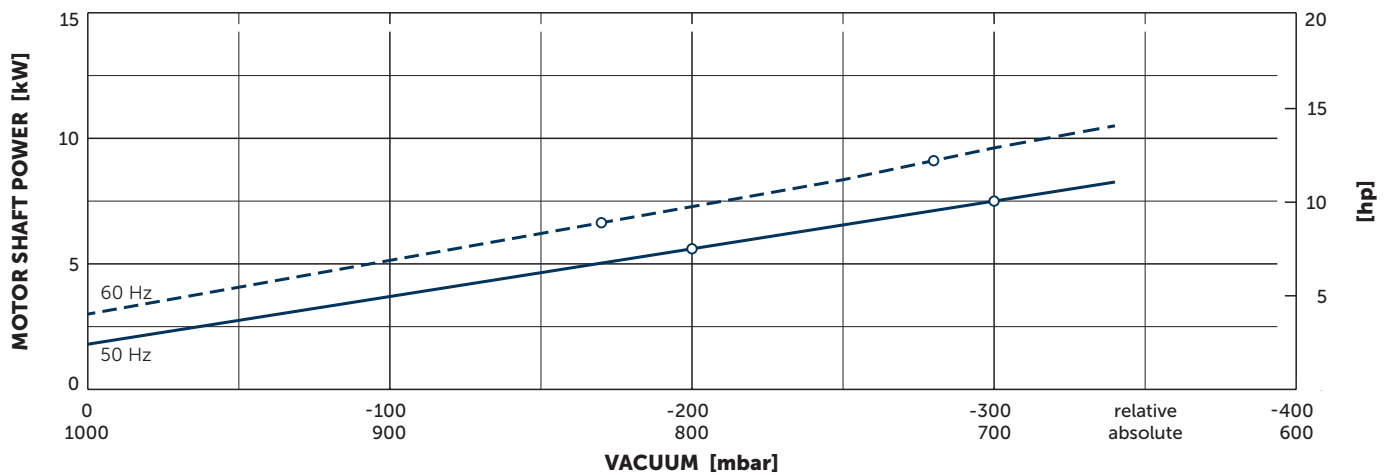
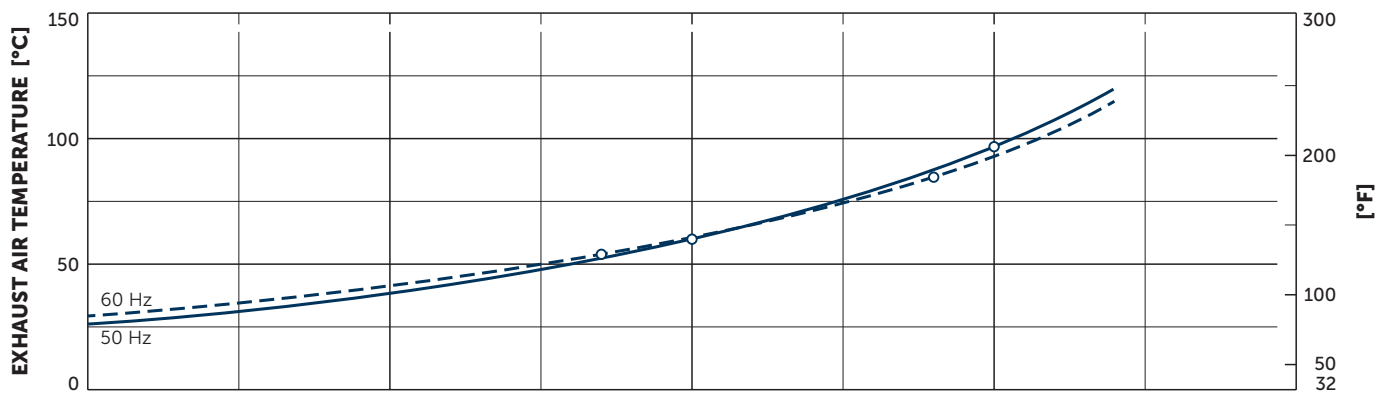
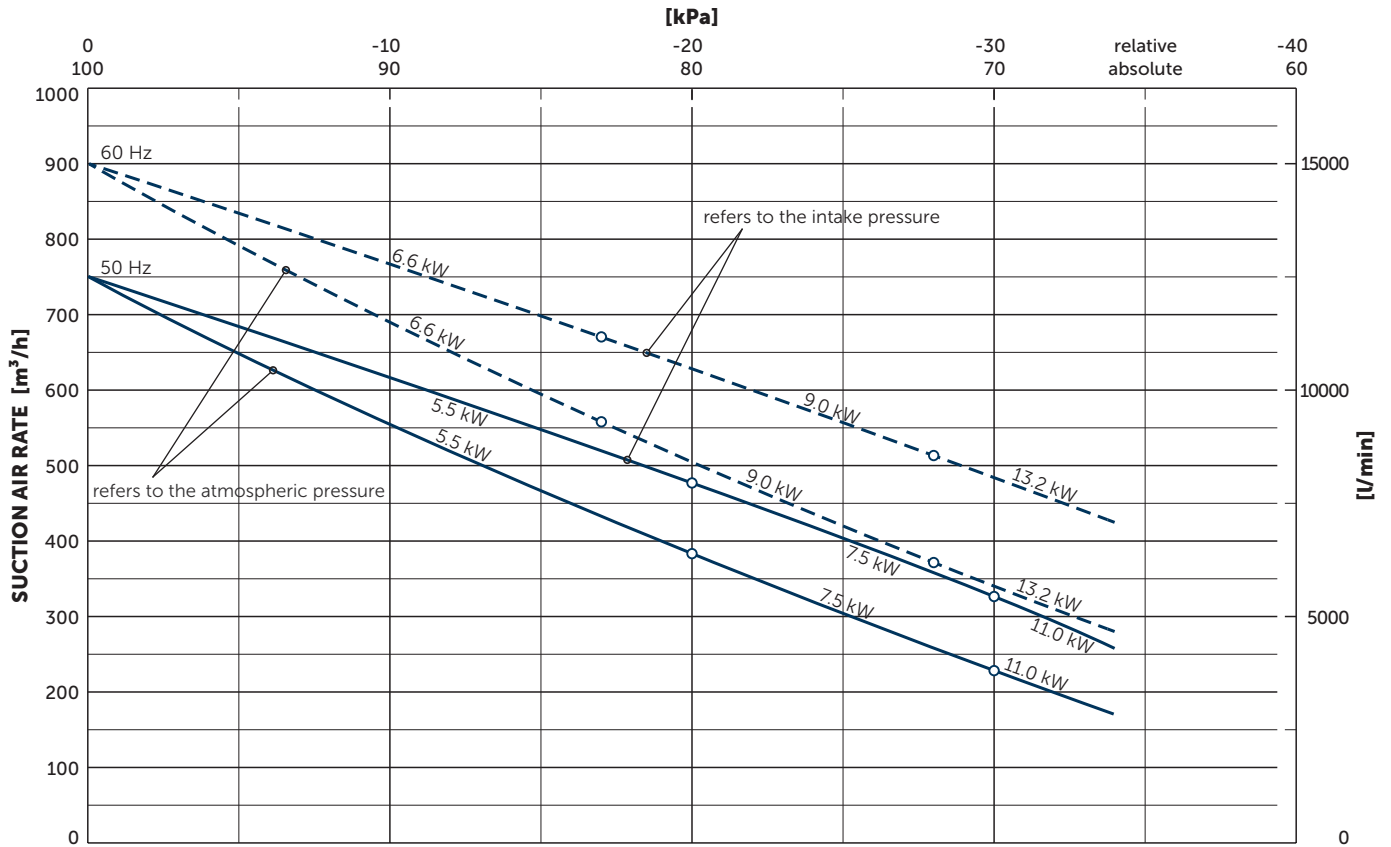
- 1 Vacuum connection (G4)
- 2 Pressure connection (G4)
- 3 Rubber buffer position (optional)
- * Device dimensions without pedestal under the silencer, with rubber buffers on the enclosure cover
- The motor illustration may vary
- Dimensions in mm [inch]

Suction air rate		Vacuum relative		Motors		Emission sound pressure level ¹⁾		Weight with motor	L
m ³ /h		mbar		kW		dB(A)		kg	mm [inch]
50 Hz	60 Hz	50 Hz	60 Hz	50 Hz	60 Hz	50 Hz	60 Hz		
750	900	-200	-170	5.5	6.6	69 (-135 mbar)	71 (-115 mbar)	89	563 [22.2]
750	900	-300	-280	7.5	9.0	72 (-200 mbar)	73 (-190 mbar)	112	614 [24.2]
750	900	-340	-340	11.0	13.2	73 (-230 mbar)	74 (-230 mbar)	119	635 [25.0]

¹⁾ According to DIN EN ISO 11203, accuracy class of measurement: class 2, extended measurement uncertainty: 3 dB
 1 m [39.4 inch] distance, at medium load, both connection sides piped

3~ Motors											
#	50 Hz					60 Hz					Version
	kW	V	IE3	min ⁻¹	A	kW	V	IE3	min ⁻¹	A	
01	5.5	Δ400/Y690	IE3	2930	11.9/6.9	6.6	Δ460	IE3	3520	11.5	UL • CSA
						5.5	Δ400/Y690	IE3	3520	10.2/5.9	IP55 • ISO F • bimetal
02						6.6	Δ230/Y400	IE3	3496	20.6/11.9	UL • CSA • CC
							Δ265/Y460	IE3	3528	19.9/11.5	IP55 • ISO F • bimetal
							Δ208		3470	22.5	
03	5.5	Δ200/Y350	IE3	2935	26.9/15.4	6.6	Δ220/Y380–400	IE3	3530	24.0/13.9–14.3	IP55 • ISO F • bimetal
							Δ200/Y350	IE3	3500	24.7/14.1	
04						6.6	Δ400/Y690	IE3	3520	13.2/7.65	UL • CSA IP55 • ISO F • bimetal
05	7.5	Δ400	IE3	2910	13.5	9.0	Δ460	IE3	3500	13.9	UL • CSA
							Δ400		3450	16.1	IP55 • ISO F • bimetal
06						9.0	YY230/Y460	IE3	3505	27.8/13.9	UL • CSA
							YY208		3475	30.7	IP55 • ISO F • bimetal
07	7.5	Δ200/Y350	IE3	2920	27.0/15.6	9.0	Δ220/Y380–400	IE3	3500	29.1/16.8	IP55 • ISO F • bimetal
							Δ200/Y350		3465	31.7/18.3	
08	11.0	Δ400	IE3	2930	21.8	13.2	Δ460	IE3	3525	21.9	UL • CSA
							Δ400		3490	23.7	IP55 • ISO F • bimetal
09						13.2	YY230/Y460	IE3	3530	44.8/22.4	UL • CSA
							YY208		3505	46.5	IP55 • ISO F • bimetal
10	11.0	Δ200/Y350	IE3	2920	41.4/23.9	13.2	Δ220/Y380–400	IE3	3510	43.3/25.0	IP55 • ISO F • bimetal
							Δ200/Y350		3465	46.8/27.0	

• Current consumption and rotation speed may vary. Tolerance in each case -1.5/+2%

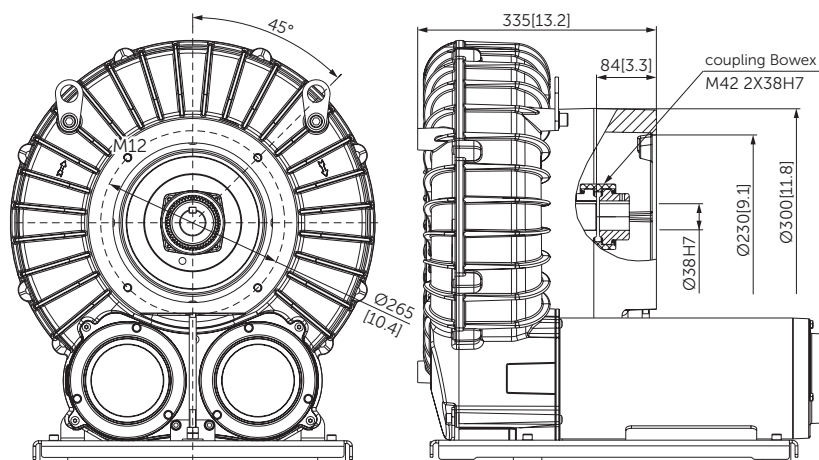


Reference data (atmosphere): 1000 mbar (100 kPa), 20°C (68°F)
 Tolerance: ±10%
 Temperature: Ambient air -10°C ... 40°C (14°F ... 104°F), Inlet air 0°C ... 40°C (32°F ... 104°F)

+ VARIANTS AND ACCESSORIES

WITHOUT MOTOR

- With coupling for flange motor
- Standard DIN EN 50347
- Flange size FF265
- Shaft end $\varnothing 38 \times 80$ mm [$\approx 1,5 \times 3,2$ inch]
- Max. size BG160
- The motor must be supported!



OTHER VARIANTS AND ACCESSORIES

- VARIAIR SV 700/1 with frequency inverter VAU11-22/3 for 80 Hz operation¹⁾
- External suction filter
- External vacuum safety valve
- With increased corrosion protection



VARIAIR SV 700/1



Example for an external suction filter

¹⁾ See separate data sheet

- Dimensions in mm [inch] – For other dimensions, see the figure on page 2.
- Possible combinations on request



MAKE IT BECKER.