

BETRIEBSANLEITUNG
OPERATING INSTRUCTIONS
INSTRUCTIONS DE SERVICE
ISTRUZIONI D'USO
HANDLEIDING
INSTRUCCIONES PARA EL MANEJO
MANUAL DE INSTRUÇÕES
NAUDOJIMOSI INSTRUKCIJA
KASUTUSJUHEND
LIETOŠANAS INSTRUKCIJA
DRIFTSINSTRUKS
DRIFTSINSTRUKTIONER
DRIFTSVEJLEDNING
INSTRUKCJA OBSŁUGI

KEZELÉSI ÚTMUTATÓ
NÁVOD K OBSLUZE
NAVODILO ZA UPORABO
NÁVOD NA OBSLUHU
UPUTE ZA RAD
MANUAL DE OPERATII
TREORACHA OIBRIÚCHÁIN
ΟΔΗΓΙΕΣ ΧΡΗΣΗΣ
EL KITABI
ИНСТРУКЦИИ ЗА ЕКСПЛОАТАЦИЯ
ИНСТРУКЦИЯ ПО ЕКСПЛОАТАЦИИ
取扱説明書
사용설명서
使用说明书

SV 1100
SV 1101

MAKE IT BECKER.



AIR

1

	<table border="1"> <tr><td>Model</td><td>800018</td></tr> <tr><td>Part No.</td><td>8023402</td></tr> <tr><td>Compressor / Motor power</td><td>1000</td></tr> <tr><td>Speed</td><td>1000</td></tr> <tr><td>Frequency</td><td>50/60</td></tr> <tr><td>Pressure</td><td>1000</td></tr> <tr><td>Capacity</td><td>1000</td></tr> <tr><td>Weight</td><td>1000</td></tr> <tr><td>Dimensions</td><td>1000</td></tr> </table> <p>m³/h mbar</p>	Model	800018	Part No.	8023402	Compressor / Motor power	1000	Speed	1000	Frequency	50/60	Pressure	1000	Capacity	1000	Weight	1000	Dimensions	1000
Model	800018																		
Part No.	8023402																		
Compressor / Motor power	1000																		
Speed	1000																		
Frequency	50/60																		
Pressure	1000																		
Capacity	1000																		
Weight	1000																		
Dimensions	1000																		
 DIN EN ISO 11203 Accuracy Class 2 K _{PA} = 3 dB(A) 1 ← 1m	SV 1100/1 (Pressure) ▶ 50/60 Hz, +175/+150 mbar L _{PA} = 74/76 dB(A)																		
	SV 1100/1 (Vacuum) ▶ 50/60 Hz, -195/-180 mbar L _{PA} = 75/79 dB(A)																		
	SV 1100/2 (Pressure) ▶ 50/60 Hz, +335/+275 mbar L _{PA} = 74/80 dB(A)																		
	SV 1100/2 (Vacuum) ▶ 50/60 Hz, -260/-260 mbar L _{PA} = 74/78 dB(A)																		

2

static inst. ①-③		dynamic installation Gebr. BECKER
The pump must be securely mounted at the place of installation. Physical tension on the blower housing must be avoided.		
		125-160 kg 276-353 lbs

3

	40°C/104°F -10°C/14°F	H ₂ O [g/m ³]
	INLET AIR 40°C/104°F 0°C/32°F	 max. 90% Temp. [°C]
max. 800m A > 100mm A > 4"		

4

 PRESSURE	optional en option opcionale opcional	 VACUUM
AIR >100°C >212°F		

5

		<p>Mod.Nr. XXXXXXXX ENXXXXX No.01.XXXXXX 50 Hz 3000V 60 Hz 3000V XXXXXXXX XXXXXXXX VA / W XXXXXXXX A mm F XXXXXXXX XXXXXXXX mm XXXXXXXX mm XX kg</p>
<p>MAINS</p> <p>Only permitted under certain conditions Contact manufacturer for details</p>		

6

<p>GENERAL</p> <p>¹⁾ motor protection switch</p>	<p>ADDITIONAL $M \geq 5.5 \text{ kW}$</p> <p>RECOMMENDATION</p> <p>A Softstart</p> <p>B 0</p>	
<p>ON (I) - 1 2 MAX 10/h</p> <p>OFF (0) -</p>		<p>OPTIONAL</p> <p>PTC</p>

7

--	--

8

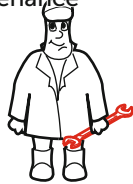


<p></p>

9


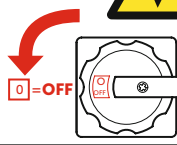




<p> PRESSURE</p>	<p></p> <p></p> <p></p> <p>G 4</p>	<p> VACUUM</p>
------------------	------------------------------------	----------------

10


Maintenance

11


n=0min⁻¹



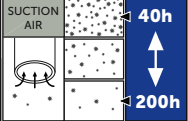
2-3 Min

12

CLEANING INTERVAL



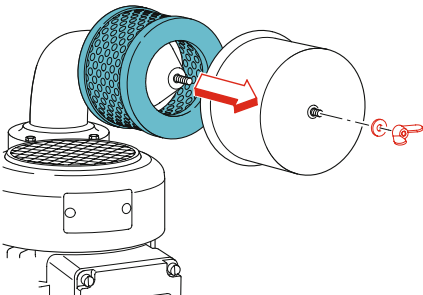
SUCTION AIR



40h
↑↓
200h


PRESSURE

optional
en option
optionale
opcional

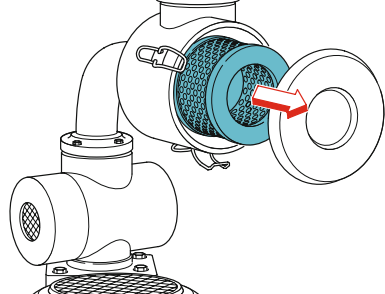


13

CLEANING INTERVAL



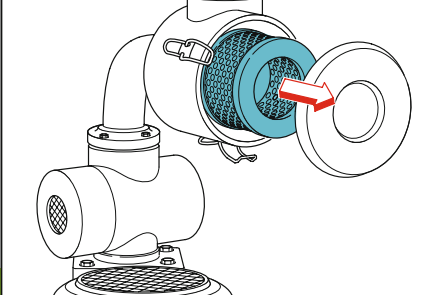
SUCTION AIR



40h
↑↓
200h


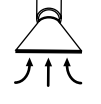
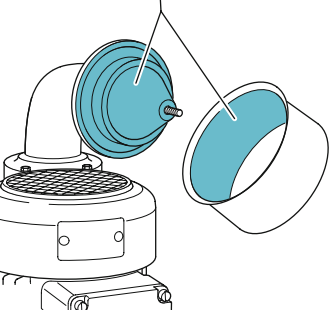
VACUUM

optional
en option
optionale
opcional





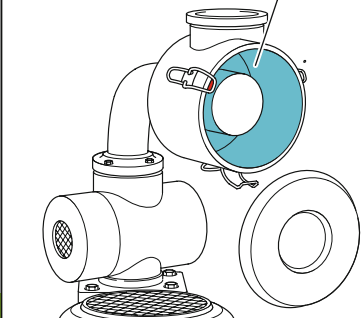
14

PRESSURE

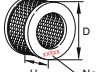


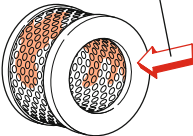
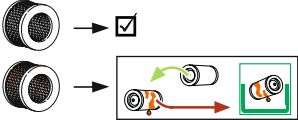




15




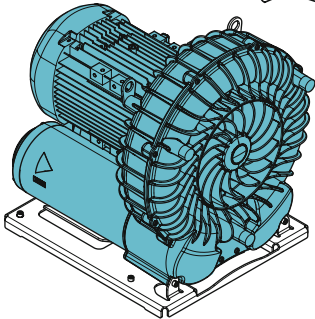
VACUUM

16

		
<p>1.</p> 		<p>EN149 - FFP3 42 CFR 84 - N100</p>
<p>2.</p> 		

17

18



www.becker-international.com

19



WWW.BECKER-INTERNATIONAL-SHOP.COM

Gebr. Becker GmbH
Hölker Feld 29-31
42279 WUPPERTAL
GERMANY
info@becker-international.com
www.becker-international.com





MAKE IT BECKER.

28.10.06.0700 | 20212-03-16 | All rights reserved