

**BETRIEBSANLEITUNG
OPERATING INSTRUCTIONS
INSTRUCCIONES DE SERVICE
ISTRUZIONI D'USO
HANDLEIDING
INSTRUCCIONES PARA EL MANEJO
MANUAL DE INSTRUÇÕES
NAUDOJIMOSI INSTRUKCIJA
KASUTUSJUHEND
LIETOŠANAS INSTRUKCIJA
DRIFTSINSTRUKS
DRIFTSINSTRUKTIONER
DRIFTSVEJLEDNING
INSTRUKCJA OBSŁUGI**

**KEZELÉSI ÚTMUTATÓ
NÁVOD K OBSLUZE
NAVODILO ZA UPORABO
NÁVOD NA OBSLUHU
UPUTE ZA RAD
MANUAL DE OPERATII
TREORACHA OIBRIÚCHÁIN
ΟΔΗΓΙΕΣ ΧΡΗΣΗΣ
EL KITABI
ИНСТРУКЦИИ ЗА ЕКСПЛОАТАЦИЯ
ИНСТРУКЦИЯ ПО ЕКСПЛУАТАЦИИ
取扱説明書
사용설명서
使用说明书**

SV 500

MAKE IT BECKER.



1

	<p>BECKER No. year</p> <p>CE frequency speed power required inlet capacity pressure vacuum</p> <p>m³/h mbar</p>
<p>DIN EN ISO 11203 Accuracy Class 2 K_{PA} = 3 dB(A) l←1m</p>	<p>SV 500/1 (Pressure) ▶ 50/60 Hz, +310/+300 mbar L_{PA} = 75.4/77.4 dB(A)</p>
	<p>SV 500/1 (Vacuum) ▶ 50/60 Hz, -230/-245 mbar L_{PA} = 75.5/76.7 dB(A)</p>
	<p>SV 500/2 (Pressure) ▶ 50/60 Hz, +330/+350 mbar L_{PA} = 69.8/72.2 dB(A)</p>
	<p>SV 500/2 (Vacuum) ▶ 50/60 Hz, -265/-230 mbar L_{PA} = 68.9/71.7 dB(A)</p>

2

static inst. ①-③		dynamic installation Gebr. BECKER
<p> The pump must be securely mounted at the place of installation. Physical tension on the blower housing must be avoided.</p>		
		<p>75,5 kg 166.5 lbs</p>

3

	40°C/104°F	 optional en option optionale optional Filter
	-10°C/14°F	
INLET AIR	40°C/104°F	<p>A > 100mm B > 295mm 0°C/32°F A > 4" B > 11½"</p>
	0°C/32°F	
	max. 800m	
	max. 90%	

4

5

	VACUUM		PRESSURE
			AIR >100°C >212°F
		optional en option optionale optional	

6

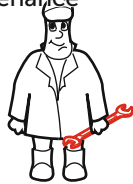


		<p> Max. No. XXXXXXXX ENXXXXX CE No. XXXXXXXX 50 Hz 3000V 60 Hz 3000V XXXXXXX VA, W XXXXXXX VA, W XXXXXXX A XXXXXXX A mm F XXXXXXX mm F XXXXXXX XXXXXXX mm XXXXXXX mm XXX kg </p>
<p> MAINS </p> <p> Only permitted under certain conditions Contact manufacturer for details </p>		

<p>GENERAL</p> <p>¹⁾ motor protection switch </p>	<p>ADDITIONAL ≥ 5.5 kW</p> <p>RECOMMENDATION</p> <p>A Softstart</p> <p>B </p>
<p>ON (I) - 1 2 MAX 10/h</p> <p>OFF (0) - </p> <p>OPTIONAL PTC </p>	


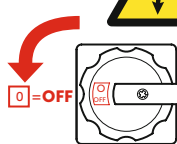




		<p> </p>
--	--	----------

<p> PRESSURE</p>	<p> </p> <p>G 3</p>	<p> VACUUM</p>
-------------------------	----------------------------	-----------------------


Maintenance




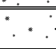
12

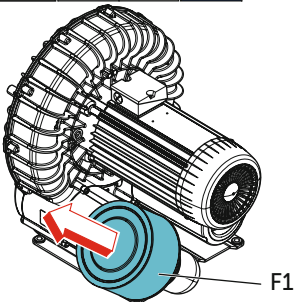







n=0min⁻¹

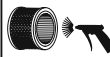


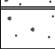


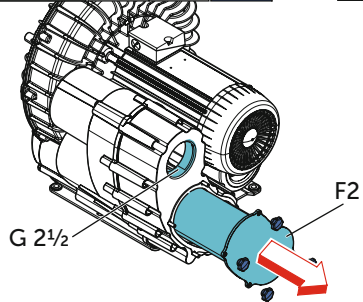
13

	SUCTION AIR		40h ↕ 200h	PRESSURE
CLEANING INTERVAL				optional en option optionale opcional

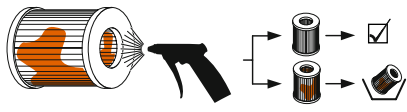


14

	SUCTION AIR		40h ↕ 200h	VACUUM PRESSURE
CLEANING INTERVAL				optional en option optionale opcional




15





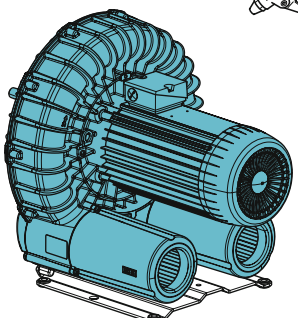
F1: PRESSURE
No.: 9095910000

F2: VACUUM + PRESSURE
No.: 9095103000



EN149 - FFP3
42 CFR 84 - N100

16

17



Gebr. Becker GmbH
Hölker Feld 29-31
42279 WUPPERTAL
GERMANY
info@becker-international.com
www.becker-international.com



The logo consists of a circular icon with three stylized human figures inside, followed by the word **BECKER** in a bold, blue, sans-serif font.



MAKE IT BECKER.

281000605001 | 2022-03-16 | All rights reserved