

**BETRIEBSANLEITUNG  
OPERATING INSTRUCTIONS  
INSTRUCTIONS DE SERVICE  
ISTRUZIONI D'USO  
HANDLEIDING  
INSTRUCCIONES PARA EL MANEJO  
MANUAL DE INSTRUÇÕES  
NAUDOJIMOSI INSTRUKCIJA  
KASUTUSJUHEND  
LIETOŠANAS INSTRUKCIJA  
DRIFTSINSTRUKS  
DRIFTSINSTRUKTIONER  
DRIFTSVEJLEDNING  
INSTRUKCJA OBSŁUGI**

**KEZELÉSI ÚTMUTATÓ  
NÁVOD K OBSLUZE  
NAVODILO ZA UPORABO  
NÁVOD NA OBSLUHU  
UPUTE ZA RAD  
MANUAL DE OPERATII  
TREORACHA OIBRIÚCHÁIN  
ΟΔΗΓΙΕΣ ΧΡΗΣΗΣ  
EL KITABI  
ИНСТРУКЦИИ ЗА ЕКСПЛОАТАЦИЯ  
ИНСТРУКЦИЯ ПО ЕКСПЛОАТАЦИИ  
取扱説明書  
사용설명서  
使用说明书**

# SV 400

**MAKE IT BECKER.**




1

		m³/h mbar
DIN EN ISO 11203 Accuracy Class 2 K <sub>pA</sub> = 3 dB(A) l ← 1m	<b>SV 400/1 (Pressure)</b> ▶ 50/60 Hz, +267/+250 mbar L <sub>pA</sub> = 76.8/76.1 dB(A)	
	<b>SV 400/1 (Vacuum)</b> ▶ 50/60 Hz, -200/-200 mbar L <sub>pA</sub> = 74.5/74.0 dB(A)	
	<b>SV 400/2 (Pressure)</b> ▶ 50/60 Hz, +360/+330 mbar L <sub>pA</sub> = 73.1/75.1 dB(A)	
	<b>SV 400/2 (Vacuum)</b> ▶ 50/60 Hz, -260/-260 mbar L <sub>pA</sub> = 71.1/73.0 dB(A)	

2

static inst. ①-③		dynamic installation Gebr. BECKER
The pump must be securely mounted at the place of installation. Physical tension on the blower housing must be avoided.		
		44-57 kg 97-126 lbs

3

		optional en option optionale optional Filter
INLET AIR 40°C/104°F 0°C/32°F	A > 100mm A > 4"	B > 295mm B > 11½"

4

5

VACUUM		PRESSURE
		>100°C >212°F
	optional en option optionale optional	

6

<p>MAINS</p> <p><b>Only permitted under certain conditions</b> Contact manufacturer for details</p>	<p> <small>Max No. XXXXXXXX ENXXXXX CE</small>  <small>50 Hz 3000V 60 Hz 3300V</small>  <small>XXXXXXX VA / A</small>  <small>XXXXXXX VA / A</small>  <small>XXXXXXX VA / A</small>  <small>XXXXXXX mm</small>  <small>XXXXXXX mm</small>  <small>XXXXXXX mm</small>  <small>XX kg</small> </p>

7

<p>GENERAL</p> <p><sup>1)</sup> motor protection switch <input checked="" type="checkbox"/></p>	<p>ADDITIONAL <math>M \geq 5.5 \text{ kW}</math></p> <p>RECOMMENDATION</p> <p><b>A</b></p> <p>Softstart</p> <p><b>B</b></p>
<p>ON (I) -</p> <p>OFF (0) -</p> <p>MAX 10/h</p>	<p>OPTIONAL</p> <p>PTC</p>

8


9


10

<p> PRESSURE</p>	<p> </p> <p><b>G 3</b></p>	<p> VACUUM</p>


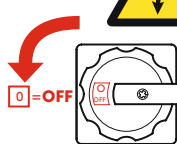




11

**Maintenance**










12

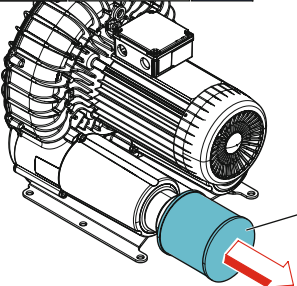
**n=0min<sup>-1</sup>**



13


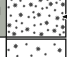


	SUCTION AIR		40h ↕ 200h
<b>CLEANING INTERVAL</b>			

optional  
en option  
opcionale  
opcional

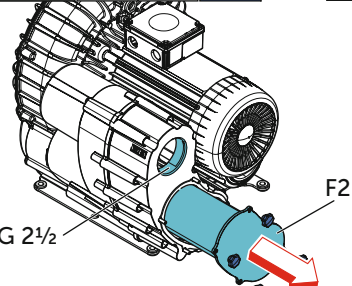


F1

14

	SUCTION AIR		40h ↕ 200h
<b>CLEANING INTERVAL</b>			


VACUUM PRESSURE  
optional  
en option  
opcionale  
opcional



G 2 1/2


F2

15






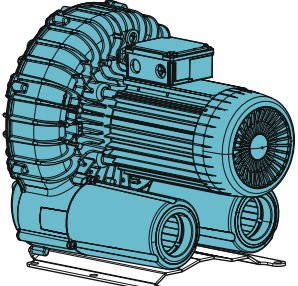
F1: PRESSURE  
No.: 90957300000

F2: VACUUM  
+ PRESSURE  
No.: 90951030000

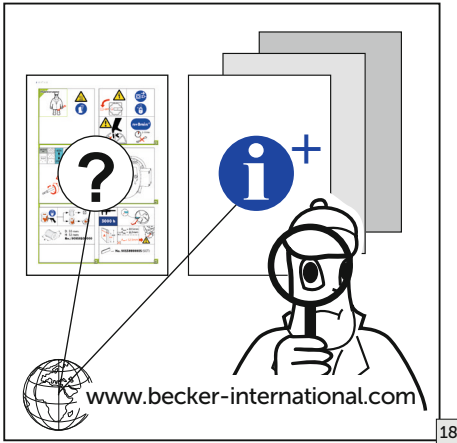


EN149 - FFP3  
42 CFR 84 - N100

16

17



Gebr. Becker GmbH  
Hölker Feld 29-31  
42279 WUPPERTAL  
GERMANY  
[info@becker-international.com](mailto:info@becker-international.com)  
[www.becker-international.com](http://www.becker-international.com)



The logo consists of a circular icon with three stylized human figures inside, followed by the word **BECKER** in a bold, blue, sans-serif font.



**MAKE IT BECKER.**

281000604001 | 2022-03-16 | All rights reserved