

BETRIEBSANLEITUNG
OPERATING INSTRUCTIONS
INSTRUCCIONES DE SERVICE
ISTRUZIONI D'USO
HANDLEIDING
INSTRUCCIONES PARA EL MANEJO
MANUAL DE INSTRUÇÕES
NAUDOJIMOSI INSTRUKCIJA
KASUTUSJUHEND
LIETOŠANAS INSTRUKCIJA
DRIFTSINSTRUKS
DRIFTSINSTRUKTIONER
DRIFTSVEJLEDNING
INSTRUKCJA OBSŁUGI

KEZELÉSI ÚTMUTATÓ
NÁVOD K OBSLUZE
NAVODILO ZA UPORABO
NÁVOD NA OBSLUHU
UPUTE ZA RAD
MANUAL DE OPERATII
TREORACHA OIBRIÚCHÁIN
ΟΔΗΓΙΕΣ ΧΡΗΣΗΣ
EL KITABI
ИНСТРУКЦИИ ЗА ЕКСПЛОАТАЦИЯ
ИНСТРУКЦИЯ ПО ЕКСПЛОАТАЦИИ
取扱説明書
사용설명서
使用说明书

SV 300

MAKE IT BECKER.



 **BECKER**

| | | |
|--|--|--|
| | | <p> Max. No. XXXXXXXX ENXXXXX CE Part No. XXXXXXXX No. XXXXXXXX 50 Hz 3000V 60 Hz 3000V XXXXXXXX VA/VA₁ XXXXXXXX A mm F XXXXXXXX XXXXXXXX mm XXXXXXXX mm XXX kg </p> |
| | | |
| <p> MAINS </p> <p> Only permitted under certain conditions Contact manufacturer for details </p> | | |

7

| | <table border="1"> <tr> <th>standard</th> <th>optional</th> </tr> <tr> <td> <p>Bi-metal</p> </td> <td> <p>PTC</p> </td> </tr> </table> | | standard | optional | <p>Bi-metal</p> |
|-----------------|--|--|----------|----------|-----------------|
| standard | optional | | | | |
| <p>Bi-metal</p> | <p>PTC</p> | | | | |
| | | | | | |

8

| | |
|--|--|
| | |
|--|--|

9




| | |
|--|--|
| | |
| | |

10


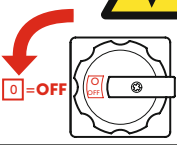




| | | |
|------------------------|--------------------|----------------------|
| <p>PRESSURE</p> | <p>G 2½</p> | <p>VACUUM</p> |
| | | |

11


Maintenance

12

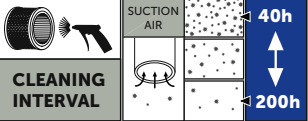







n=0min⁻¹



13

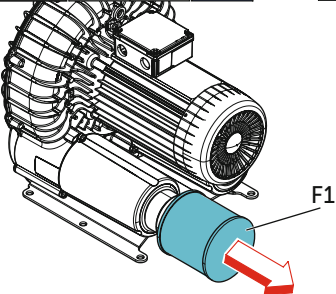
CLEANING INTERVAL



40h
↑↓
200h

PRESSURE

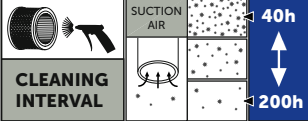
optional
en option
opcionale
opcional



F1

14

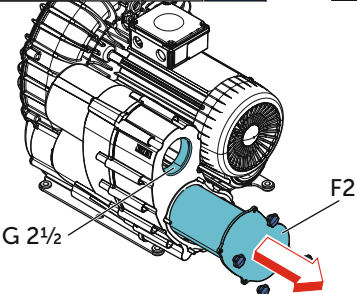
CLEANING INTERVAL



40h
↑↓
200h

VACUUM PRESSURE

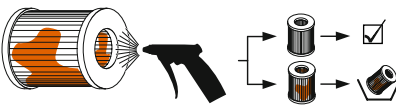
optional
en option
opcionale
opcional



G 2 1/2

F2

15




F1: PRESSURE

No.: 90957300000




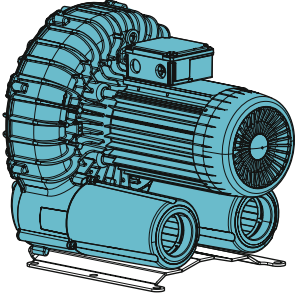
F2: VACUUM + PRESSURE

No.: 90951030000



EN149 - FFP3
42 CFR 84 - N100

16

17



WWW.BECKER-INTERNATIONAL-SHOP.COM

Gebr. Becker GmbH
Hölker Feld 29-31
42279 WUPPERTAL
GERMANY
info@becker-international.com
www.becker-international.com





MAKE IT BECKER.

28100016601 | 2022-03-16 | All rights reserved