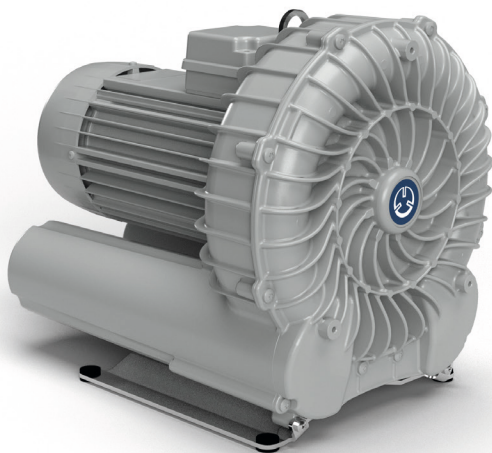


BETRIEBSANLEITUNG
OPERATING INSTRUCTIONS
INSTRUCTIONS DE SERVICE
ISTRUZIONI D'USO
HANDLEIDING
INSTRUCCIONES PARA EL MANEJO
MANUAL DE INSTRUÇÕES
NAUDOJIMOSI INSTRUKCIJA
KASUTUSJUHEND
LIETOŠANAS INSTRUKCIJA
DRIFTSINSTRUKS
DRIFTSINSTRUKTIONER
DRIFTSVEJLEDNING
INSTRUKCJA OBSŁUGI

KEZELÉSI ÚTMUTATÓ
NÁVOD K OBSLUZE
NAVODILO ZA UPORABO
NÁVOD NA OBSLUHU
UPUTE ZA RAD
MANUAL DE OPERATII
TREORACHA OIBRIÚCHÁIN
ΟΔΗΓΙΕΣ ΧΡΗΣΗΣ
EL KITABI
ИНСТРУКЦИИ ЗА ЕКСПЛОАТАЦИЯ
ИНСТРУКЦИЯ ПО ЕКСПЛОАТАЦИИ
取扱説明書
사용설명서
使用说明书

SV 200
SV 201

MAKE IT BECKER.



1

	BECKER SV 200/1 (Pressure) ▶ 50/60 Hz, +175/-155 mbar $L_{pA} = 64.6/68.2$ dB(A)
L_{pA}	SV 200/1 (Vacuum) ▶ 50/60 Hz, -145/-165 mbar $L_{pA} = 63.9/69.2$ dB(A)
DIN EN ISO 11203 Accuracy Class 2 $K_{sA} = 3$ dB(A) $r = 1m$	SV 200/2 (Pressure) ▶ 50/60 Hz, +275/+300 mbar $L_{pA} = 64.5/67.6$ dB(A)
	SV 200/2 (Vacuum) ▶ 50/60 Hz, -230/-245 mbar $L_{pA} = 63.7/68.4$ dB(A)

2

static inst. ①-④		dynamic installation
The pump must be securely mounted at the place of installation. Physical tension on the blower housing must be avoided.		
SV 200	SV 201	28 kg 62 lbs

3

	40°C/104°F 15°C/59°F 1~ -10°C/14°F 3~	
INLET AIR	40°C/104°F 0°C/32°F	optional en option optionale optional filter A > 100mm B > 295mm A > 4" B > 11½"
	max. 800m	
	max. 90%	

4

5

	VACUUM		PRESSURE
			AIR
			>100°C >212°F
	optional en option optionale optional		

6

		<p> Max. No. XXXXXXXX ENXXXXX No. XXXXXXXX 50 Hz 3000V 60 Hz 3000V XXXXXXX VA / W XXXXXXX VA / W XXXXXXX A XXXXXXX A min F 0.00000 max F 0.00000 XXXXXXX mm XXXXXXX mm XXX kg </p>
<p> MAINS </p> <p> Only permitted under certain conditions Contact manufacturer for details </p>		

7

8

--	--

9




--	--

10


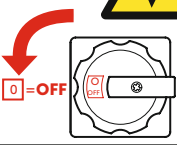







<p>PRESSURE</p>	<p>G 2</p>	<p>VACUUM</p>

11


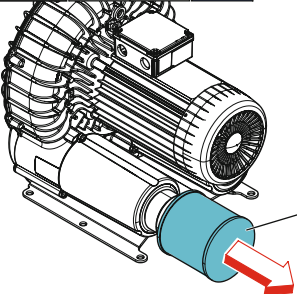


Maintenance

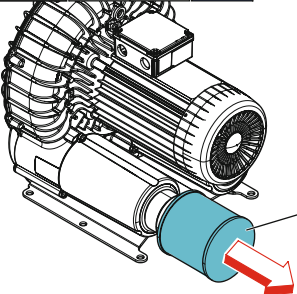




12





13

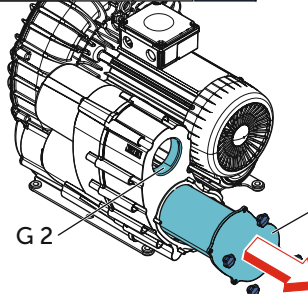
	SUCTION AIR		40h ↕ 200h	PRESSURE
CLEANING INTERVAL				optional en option opcionale opcional



F1

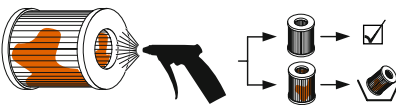
14

	SUCTION AIR		40h ↕ 200h	VACUUM PRESSURE
CLEANING INTERVAL				optional en option opcionale opcional




G 2 F2

15






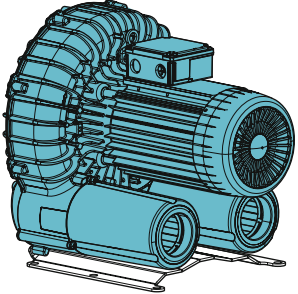
F1: PRESSURE
No.: 74000501000

F2: VACUUM
+ PRESSURE
No.: 90951070000

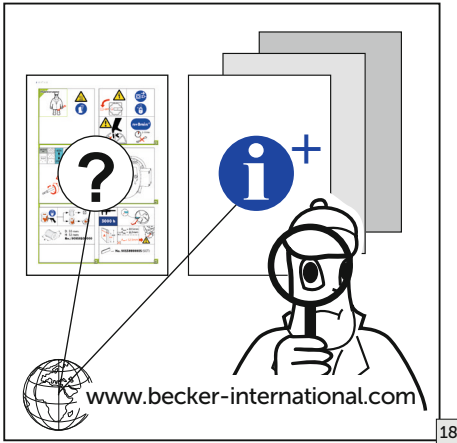


EN149 - FFP3
42 CFR 84 - N100

16

17





MAKE IT BECKER.

281000602001 | 2022-03-16 | All rights reserved