

BETRIEBSANLEITUNG
OPERATING INSTRUCTIONS
INSTRUCTIONS DE SERVICE
ISTRUZIONI D'USO
HANDLEIDING
INSTRUCCIONES PARA EL MANEJO
MANUAL DE INSTRUÇÕES
NAUDOJIMOSI INSTRUKCIJA
KASUTUSJUHEND
LIETOŠANAS INSTRUKCIJA
DRIFTSINSTRUKS
DRIFTSINSTRUKTIONER
DRIFTSVEJLEDNING
INSTRUKCJA OBSŁUGI


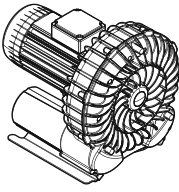


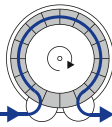




KEZELÉSI ÚTMUTATÓ
NÁVOD K OBSLUZE
NAVODILO ZA UPORABO
NÁVOD NA OBSLUHU
UPUTE ZA RAD
MANUAL DE OPERATII
TREORACHA OIBRIÚCHÁIN
ΟΔΗΓΙΕΣ ΧΡΗΣΗΣ
EL KITABI
ИНСТРУКЦИИ ЗА ЕКСПЛОАТАЦИЯ
ИНСТРУКЦИЯ ПО ЕКСПЛОАТАЦИИ
取扱説明書
사용설명서
使用说明书

SV 130

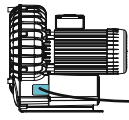



MAKE IT BECKER.






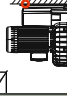


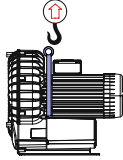

 **BECKER**

| | | |
|---|---|---|
|   |  | |
| |  | |
|  <p>AIR</p> |  |  |
| |  |  |


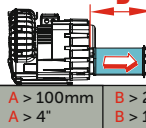
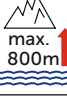
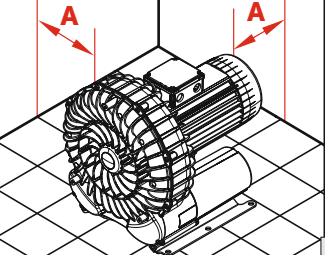
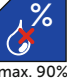
1

| | | | |
|---|---|---|---------------------------------|
|  |  |  | <p>m³/h mbar</p> |
| | <p>L_{PA} </p> <p>DIN EN ISO 11203 Accuracy Class 2 K_{PA} = 3 dB(A) l ← 1m</p> | <p>SV 130/1 (Pressure) ▶ 50/60 Hz, +185/+200 mbar L_{PA} = 64.2/67.9 dB(A)</p> <p>SV 130/1 (Vacuum) ▶ 50/60 Hz, -155/-180 mbar L_{PA} = 62.6/67.8 dB(A)</p> <p>SV 130/2 (Pressure) ▶ 50/60 Hz, +265/+235 mbar L_{PA} = 66.2/67.0 dB(A)</p> <p>SV 130/2 (Vacuum) ▶ 50/60 Hz, -255/-260 mbar L_{PA} = 64.7/66.9 dB(A)</p> | |

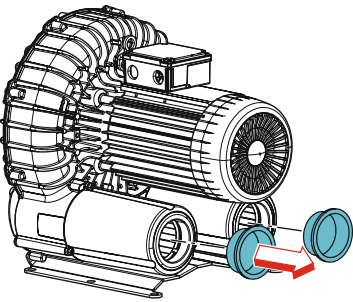
2

| | | |
|--|--|---|
| <p>static inst. ①-④</p> |  | <p>dynamic installation Gebr. BECKER</p> |
|  |  |  |
|  | | |
| <p> The pump must be securely mounted at the place of installation. Physical tension on the blower housing must be avoided.</p> | | |
|  |  | <p>26,3 kg 58 lbs</p> |

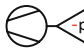
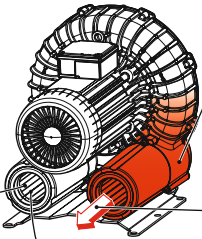



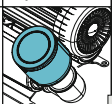
3

| | |
|--|---|
|  <p>40°C/104°F 15°C/59°F 1~ -10°C/14°F 3~</p> |  <p>optional en option optionale opcional filter</p> |
| <p>INLET AIR</p> <p>40°C/104°F 0°C/32°F</p> | <p>A > 100mm A > 4"</p> <p>B > 295mm B > 11½"</p> |
| <p>max. 800m</p>  |  |
|  <p>max. 90%</p> | |

4






5


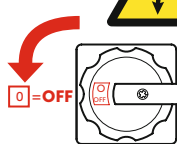




| | | |
|--|---|---|
|  <p>VACUUM</p> |  |  <p>PRESSURE</p> |
|  | |  |
| | | <p>AIR</p> <p>>100°C >212°F</p> |
| | <p>optional en option optionale opcional</p> |  |

6

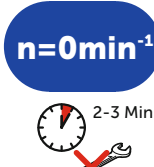
Maintenance

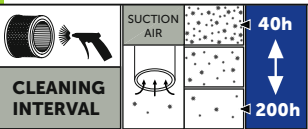
12

n=0min⁻¹



13



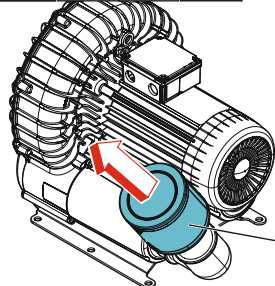
CLEANING INTERVAL

40h
↑
↓
200h

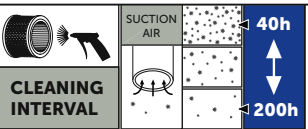
SUCTION AIR

F1

optional
en option
optionale
opcional



14



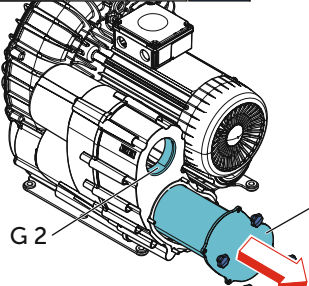
CLEANING INTERVAL

40h
↑
↓
200h

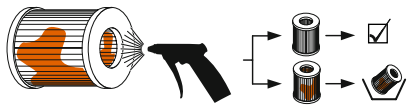
SUCTION AIR

F2

optional
en option
optionale
opcional



15




F1: PRESSURE

No.: 74000501000




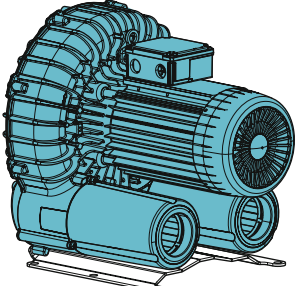
F2: VACUUM + PRESSURE

No.: 90951070000



EN149 - FFP3
42 CFR 84 - N100

16

17



Gebr. Becker GmbH
Hölker Feld 29-31
42279 WUPPERTAL
GERMANY
info@becker-international.com
www.becker-international.com



The logo consists of a circular icon with three stylized human figures inside, followed by the word **BECKER** in a bold, blue, sans-serif font.



MAKE IT BECKER.

28100601001 | 2022-03-16 | All rights reserved