


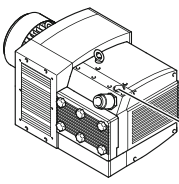







BETRIEBSANLEITUNG
OPERATING INSTRUCTIONS
INSTRUCCIONES DE SERVICE
ISTRUZIONI D'USO
HANDLEIDING
INSTRUCCIONES PARA EL MANEJO
MANUAL DE INSTRUÇÕES
NAUDOJIMOSI INSTRUKCIJA
KASUTUSJUHEND
LIETOŠANAS INSTRUKCIJA
DRIFTSINSTRUKS
DRIFTSINSTRUKTIONER
DRIFTSVEJLEDNING
INSTRUKCJA OBSŁUGI

KEZELÉSI ÚTMUTATÓ
NÁVOD K OBSLUZE
NAVODILO ZA UPORABO
NÁVOD NA OBSLUHU
UPUTE ZA RAD
MANUAL DE OPERATII
TREORACHA OIBRIÚCHÁIN
ΟΔΗΓΙΕΣ ΧΡΗΣΗΣ
EL KITABI
ИНСТРУКЦИИ ЗА ЕКСПЛОАТАЦИЯ
ИНСТРУКЦИЯ ПО ЕКСПЛУАТАЦИИ
取扱説明書
사용설명서
使用说明书

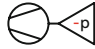



KVX 3.100

MAKE IT BECKER.


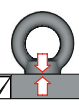


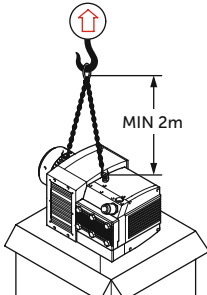


 	
	
 <p><input checked="" type="checkbox"/> AIR</p>	 
	 



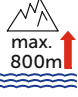
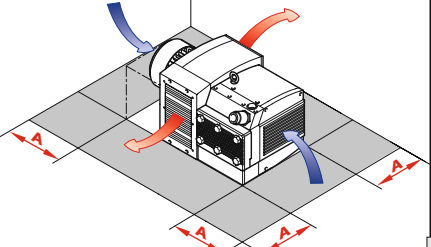
1

 <p>MAX. VACUUM</p>	 <p>mbar</p>
 <p>MAX.</p>	 <p>m³/h</p>
<p>L_{pA})))</p> <p>DIN EN ISO 11203 Accuracy Class 2 K_{pa} = 3 dB(A) l ← 1m</p>	<p>L_{pA} = 75 dB(A) - 50Hz L_{pA} = 77 dB(A) - 60Hz</p>


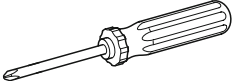

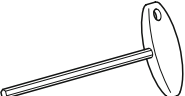

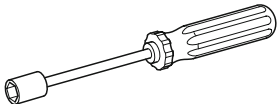
2

			 <p>101 kg 223 lbs</p>
 <p>MIN 2m</p>			

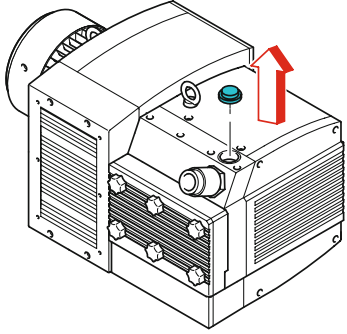
3

<p>A > 100mm A > 4"</p>	 <p>> 5°C/41°F < 45°C/113°F</p>	 <p>max. 90%</p>	 <p>max. 800m</p>
			

4

 <p>No. 2</p>	
 <p>5 mm</p>	
 <p>7 mm 10 mm</p>	

5



6

MOTOR-PROTECTION

=

50Hz	60Hz
XXX / XXX V	XXX / XXX V
XXX / XXX A	XXX / XXX A

SERVICE FACTOR
 \times
RATED CURRENT

7

optional

Bi-metal

PTC

¹⁾ motor protection switch

8

9

10

0 2 10 [m]

1 1/2" 2" + 1x




VACUUM

11


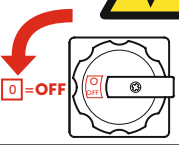





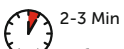

BECKER		Color: Becker GmbH Industrie-Post 20 WUTROTHAL Germany Made in Germany		
year	XXX/20XX			
no.	A1234567	Compressor / vacuum pump		
type	XXX	Hz		
frequency	XXX	mm ³		
speed	XXX	kW		
power required	XXX	m ³ /h		
inlet capacity	XXX	mmbar		
pressure	XXX	mmbar		
vacuum	XXX	mmbar		

12

Maintenance






13

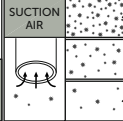










14


CLEANING INTERVAL



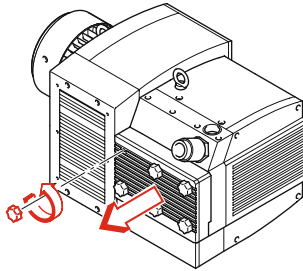
SUCTION AIR



40h
↑
↓
200h

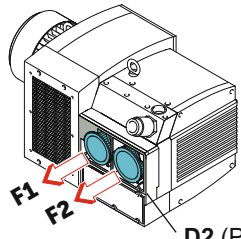


EN149 - FFP3
42 CFR 84 - N100




15

1.


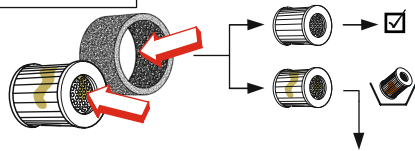


F1
F2
D2 (Pos. 75)

2.

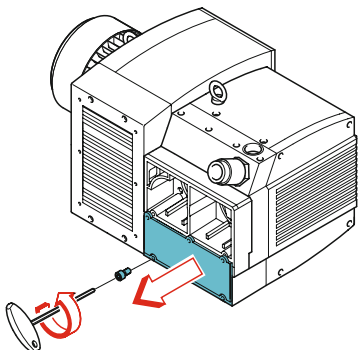


16

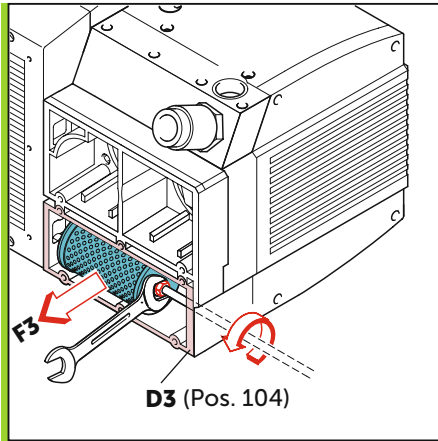



F1 = F2
No.: 90950701

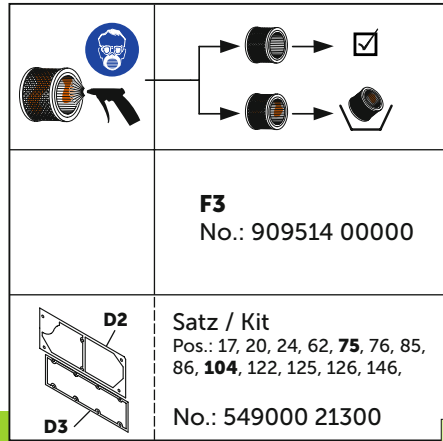
17



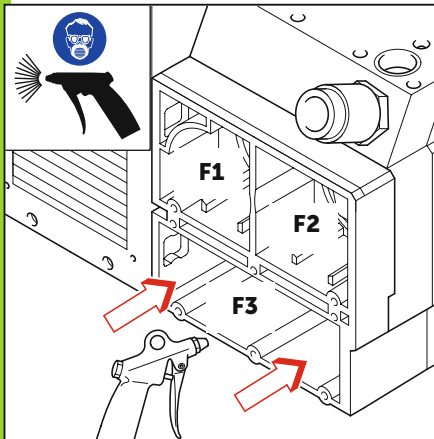
18



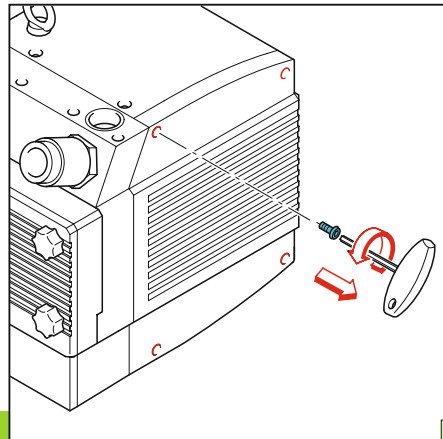
19



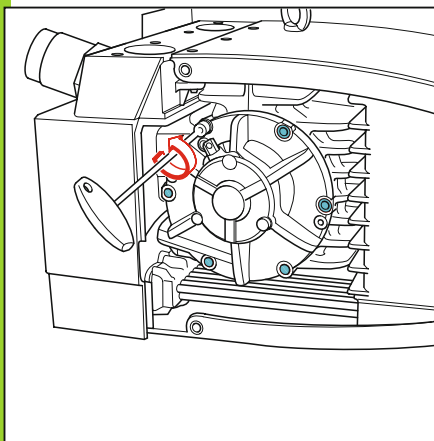
20



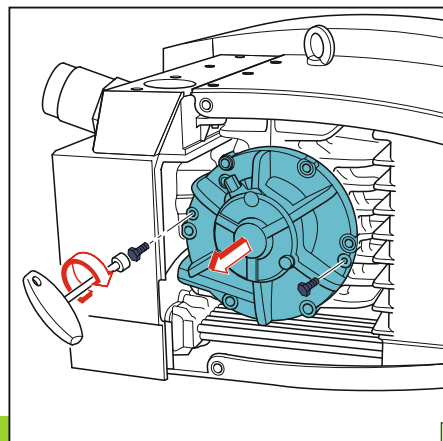
21



22



23



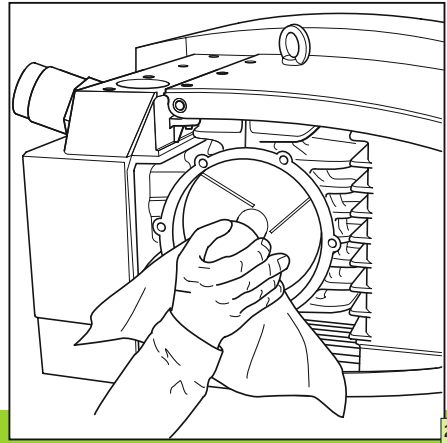
24

7500 h

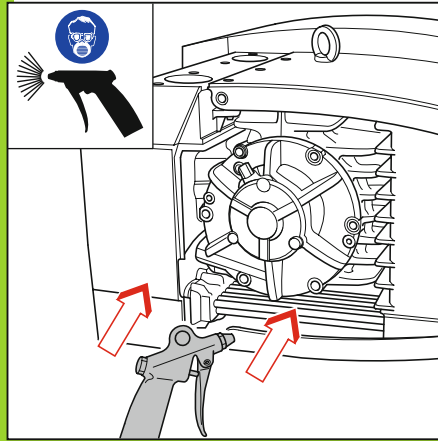
$A_{MAX} = 37mm$
 $A_{MIN} = 26mm$
 $A_{T} < 26mm$ → ⚠️

→ No. 90140200004 (SET)

25



26



27

2000 h

No. 74330500000

1. = ON

2. Special grease

10x → (~5g)

10x →

28

⚠️

A	8x	⚙️	11Nm
B	4x	⚙️	3Nm
C	4x	⚙️	3Nm

5

29

www.becker-international.com

30



WWW.BECKER-INTERNATIONAL-SHOP.COM

Gebr. Becker GmbH
Hölker Feld 29-31
42279 WUPPERTAL
GERMANY
info@becker-international.com
www.becker-international.com





MAKE IT BECKER.

281.005.08.02 | 2022-02-21 | All rights reserved