

BETRIEBSANLEITUNG
OPERATING INSTRUCTIONS
INSTRUCCIONES DE SERVICE
ISTRUZIONI D'USO
HANDLEIDING
INSTRUCCIONES PARA EL MANEJO
MANUAL DE INSTRUÇÕES
NAUDOJIMOSI INSTRUKCIJA
KASUTUSJUHEND
LIETOŠANAS INSTRUKCIJA
DRIFTSINSTRUKS
DRIFTSINSTRUKTIONER
DRIFTSVEJLEDNING
INSTRUKCJA OBSŁUGI

KEZELÉSI ÚTMUTATÓ
NÁVOD K OBSLUZE
NAVODILO ZA UPORABO
NÁVOD NA OBSLUHU
UPUTE ZA RAD
MANUAL DE OPERATII
TREORACHA OIBRIÚCHÁIN
ΟΔΗΓΙΕΣ ΧΡΗΣΗΣ
EL KITABI
ИНСТРУКЦИИ ЗА ЕКСПЛОАТАЦИЯ
ИНСТРУКЦИЯ ПО ЕКСПЛОАТАЦИИ
取扱説明書
사용설명서
使用说明书

U 5.40

MAKE IT BECKER.



U 5.40



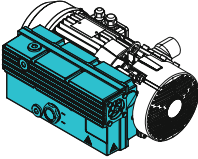
U 5.40 XL



U 5.40 XL K

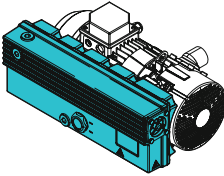


Type 1
with short oil tank



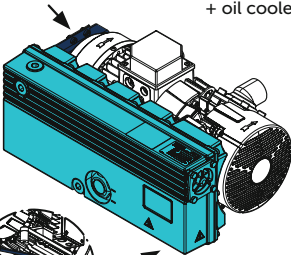
1 ph

Type 2 (XL)
with long oil tank



3 ph

Type 3 (XL K)
with long oil tank
+ oil cooler



3 ph



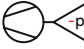

Becker Lube
M/S/SL 32
M/S/SL/SM 68




AIR








MAX. VACUUM

BECKER	No	year
type	Hz	
frequency	min ⁻¹	
speed	min ⁻¹	
power required	kW	
inlet capacity	m ³ /h	
max. vacuum	MAX. VACUUM	mbar

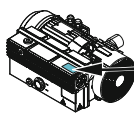

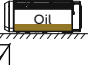

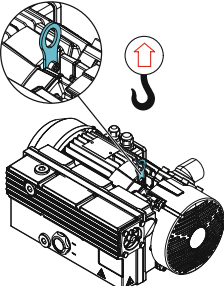
Made in Germany




MAX.

BECKER	No	year
type	Hz	
frequency	min ⁻¹	
speed	min ⁻¹	
power required	kW	
inlet capacity	MAX. V	m ³ /h
max. vacuum	mbar	

Made in Germany








Type 1	25 kg 55 lbs
Type 2	26,5 kg 58,5 lbs
Type 3	28,0 kg 61.5 lbs




> 5°C/41°F
< 40°C/104°F

Avoid condensation

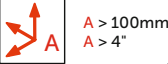
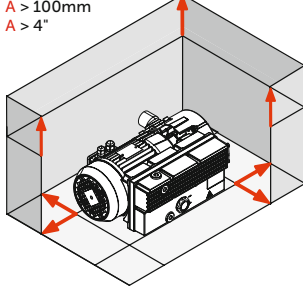



max. 90%



<-800m
>-800m

Please consult
BECKER

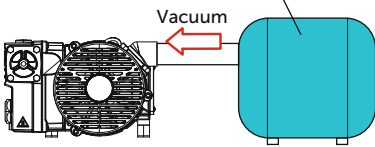





Type 1+2

Tank capacity ≤ 150 L

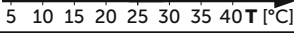



Vacuum




Allowed pressure range for continuous operation

Type 1+2 ▶ 1-100 mbar abs
Type 3 ▶ 1-300 mbar abs

6

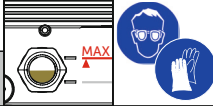
		
		
Becker Lube M 32 0.25 l 96001700025	Becker Lube M 68 1 l 96002300300 5 l 96002300400	Ambient temperature
Becker Lube S 32 0.25 l 96000320025 0.5 l 96000320050	Becker Lube S 68 1 l 96002300500 5 l 96002300600	
Becker Lube SL 32 1 l 96002300901	Becker Lube SL 68 1 l 96002300701 5 l 96002300801	
Becker Lube SM 32 1 l 96003700501	Becker Lube SM 68 1 l 96003700101 5 l 96003700201	

7

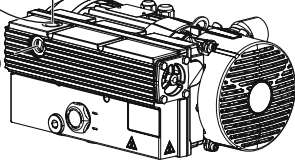



Type 1

0.5 Liter

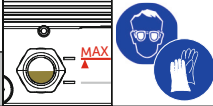
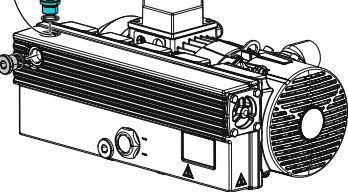


also possible

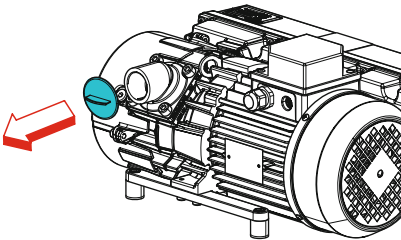



Type 2+3

1.0 Liter

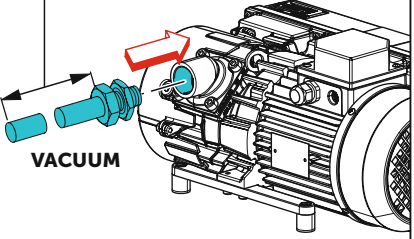



8



9

Standard	
≤ 2 m	G1
> 2 m...10m	G1¼



10

Electrical connection

Mate-N-Lok Faston F 6.3

N PE L Capacitor

1 ph

11

i+

Connection diagram

Look inside

3 ph

motor protection switch

1 ph

3 ph

ON (I) - 1 2 MAX 60x/h

OFF (0) -

12

i+

BECKER Mail-Nr. XXXXXXXX ENXXXXX CE
3-Mot. XXXXXXXX

50 Hz	XXXXXX	60 Hz	XXXXXX
XXXXXX / XXXXXXX V Δ / Y	XXXXXX	XXXXXX / XXXXXXX V Δ / Y	XXXXXX
XXXXXX A	XXXXXX	XXXXXX A	XXXXXX
cos φ 0.XX-0.XX	XXXXXX	cos φ 0.XX-0.XX	XXXXXX
XXXXX-XXXXX/min	XXXXXX	XXXXX-XXXXX/min	XXXXXX

XX kg

13

3 ph

14

Maintenance


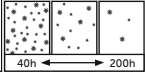

15

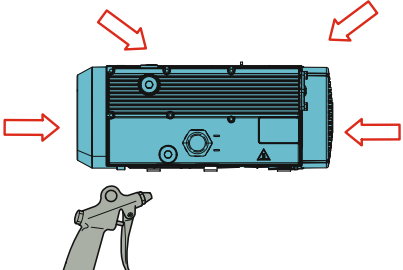
OFF

n=0 min⁻¹



1 Min

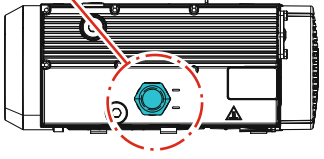
16

		
40 - 200 h	AMBIENT AIR ?	EN149 - FFP2 42 CFR 84 - N95







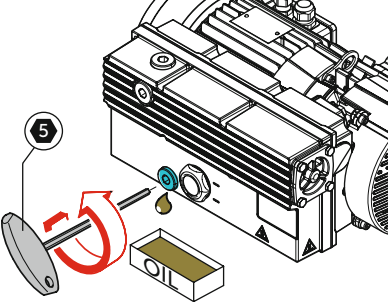
17

MAX ↓ MIN ↑		< MIN
40 h		Becker Lube

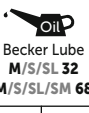




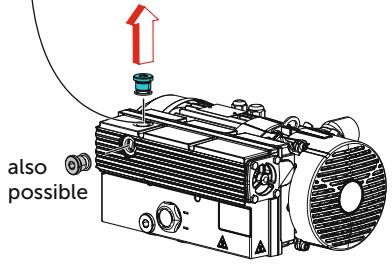
18

1. = 500 h 2. = 2000 h 3. = 4000 h ▶ (min. 2x/a)			
OIL	20 Min		






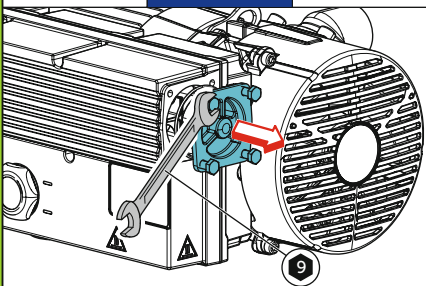
19

	Type 1 0.5 Liter	
Becker Lube M/S/SL 32	Type 2+3 1.0 Liter	
M/S/SL/SM 68	MAX	

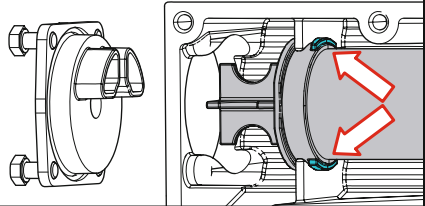
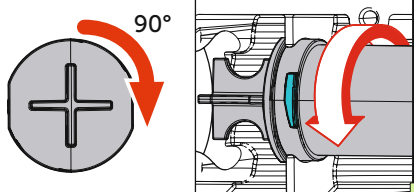


20

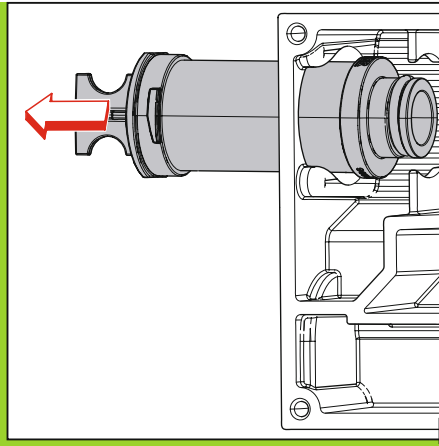
	Typ 1 MAX 1500 h	
	Typ 2+3 MAX 2000 h	



21

22



23

This block contains several elements:
1. A diagram of a battery being inserted into a device.
2. A graph showing temperature T in degrees Celsius versus time t in hours. The graph has a green area for T_{MAX} and a red area for T_{flame} . A flame warning symbol is present.
3. A recycling symbol.
4. Three different battery types.
5. A diagram of a motor assembly with a blue cylindrical component.
6. The text "see spare parts list" and a page number "24".

This block features a magnifying glass over a question mark, an information icon with a plus sign, and a globe. Below these is the website address www.becker-international.com. The page number "24" is in the bottom right corner.

24



WWW.BECKER-INTERNATIONAL-SHOP.COM

Gebr. Becker GmbH
Hoelker Feld 29-31
42279 WUPPERTAL
GERMANY
info@becker-international.com
www.becker-international.com





MAKE IT BECKER.

28100065400 | 2021-11-24 | All rights reserved