

DATA SHEET

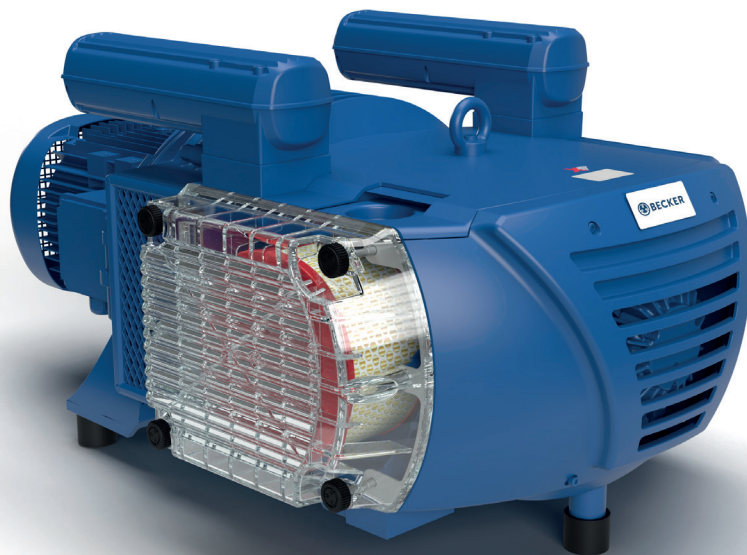
VXLF 2.200

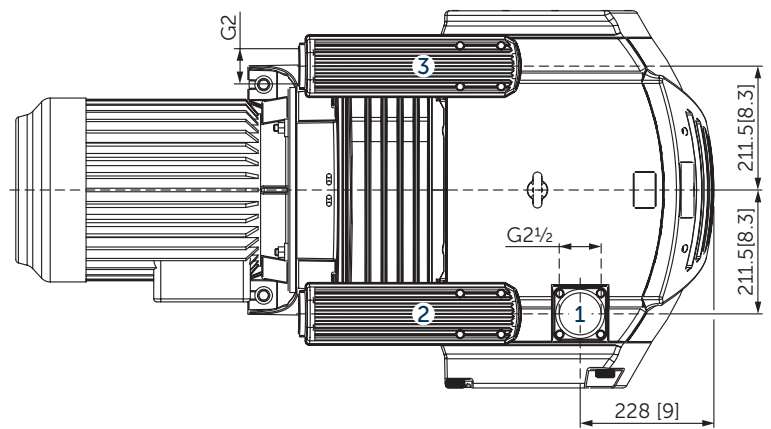
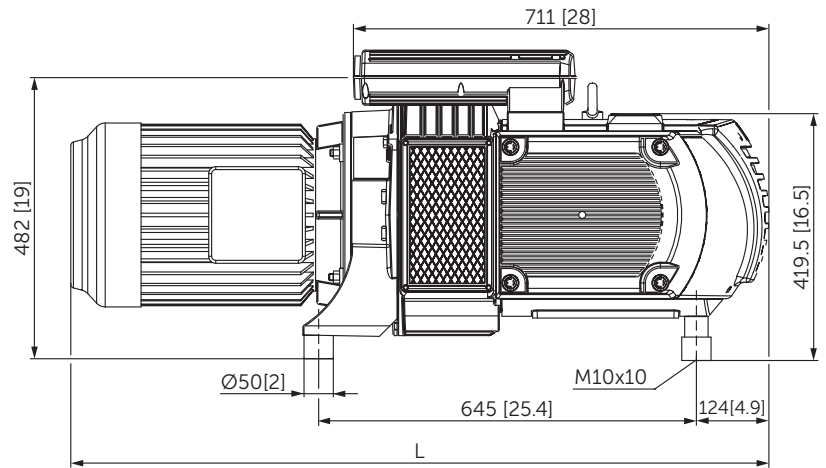
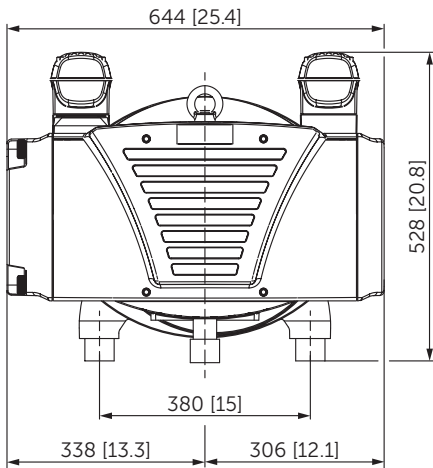
ROTARY VANE VACUUM PUMPS

oil-free

air-cooled

MAKE IT BECKER.





- 1 Vacuum connection (G2½)
- 2 Vacuum relief valve with silencer
- 3 Blow-off valve with silencer
 - Including integrated suction air filter
 - The motor illustration may vary.
 - Dimensions in mm [inch]

Suction air rate		Vacuum absolute		Emission sound pressure level ¹⁾		Weight w/o motor
m ³ /h		mbar		dB(A)		kg
50 Hz	60 Hz	50 Hz	60 Hz	50 Hz	60 Hz	
178	218	200	200	75	77	151

¹⁾ According to DIN EN ISO 3744 (KpA = 3 dB(A)), 1 m [39.4 inch] distance, at medium load, both connection sides piped

3~ Motors												L	
#	50 Hz					60 Hz				Version	Weight kg	mm [inch]	
	kW	V	min ⁻¹	A	kW	V	min ⁻¹	A					
01	4.0	Δ230/Y400	IE3	735	19.6/11.0	4.8	Δ265/Y460	IE3	882	19.6/11.3	IP55 • ISO F • bimetal	107.0	1174 [46.3]
							Δ230/Y400		875	20.4/11.8			
02						4.8	YY230/Y460	IE3	883	22.4/11.2	UL(E235514) • CSA CC329B IP55 • ISO F • bimetal	114.0	1174 [46.3]
							YY208		879	22.7			
03	4.0	Δ200/Y350	IE3	730	22.0/12.7	4.8	Δ220/Y380-400	IE3	876	23.0/13.3-12.5	UL(E235514) • CSA CC329B IP55 • ISO F • bimetal	106.5	1174 [46.3]
							Δ200/Y350		871	23.0/13.3			
04						4.8	Δ400/Y690	IE3	883	13.0/7.5	UL(E235514) • CSA CC329B IP55 • ISO F • bimetal	114.0	1174 [46.3]

- Current consumption and rotation speed may vary. Tolerance in each case -1.5/+2%

SERIES X: BECKER INNOVATION WITH TOP WARRANTY

Equipped with specially developed vanes, these oil-free rotary vane pumps distinguish themselves by high abrasion resistance, and with that extremely long service lives. Due to the low wear there is also minimal dust, so the series X pumps are perfectly suited for precision processes under clean room conditions.

This innovation branded by Becker is outstanding not only because of its 100 percent oil-free operation, excellent degree of efficiency and low power consumption.

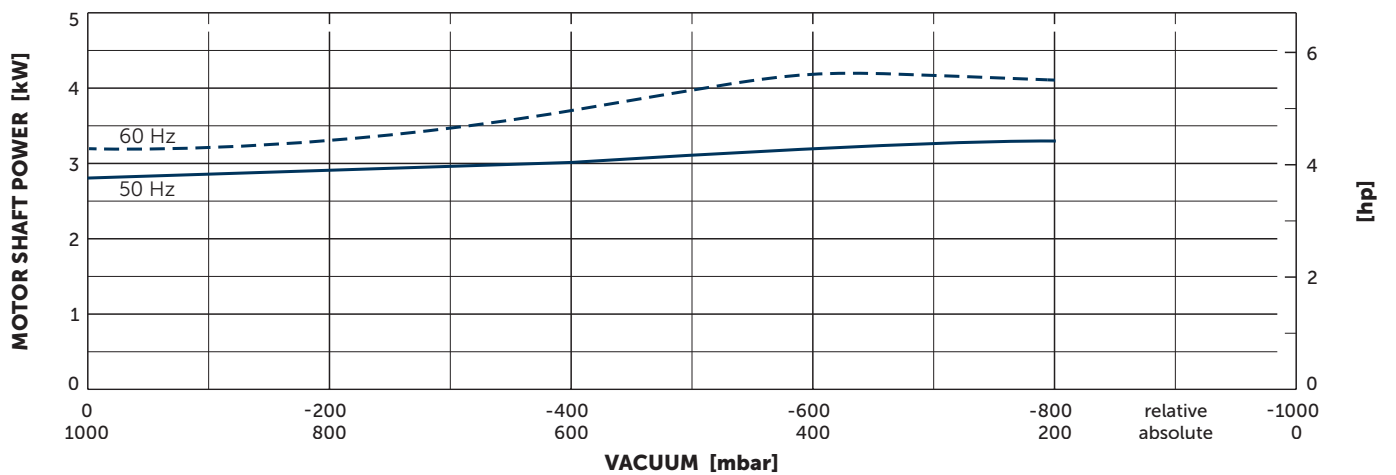
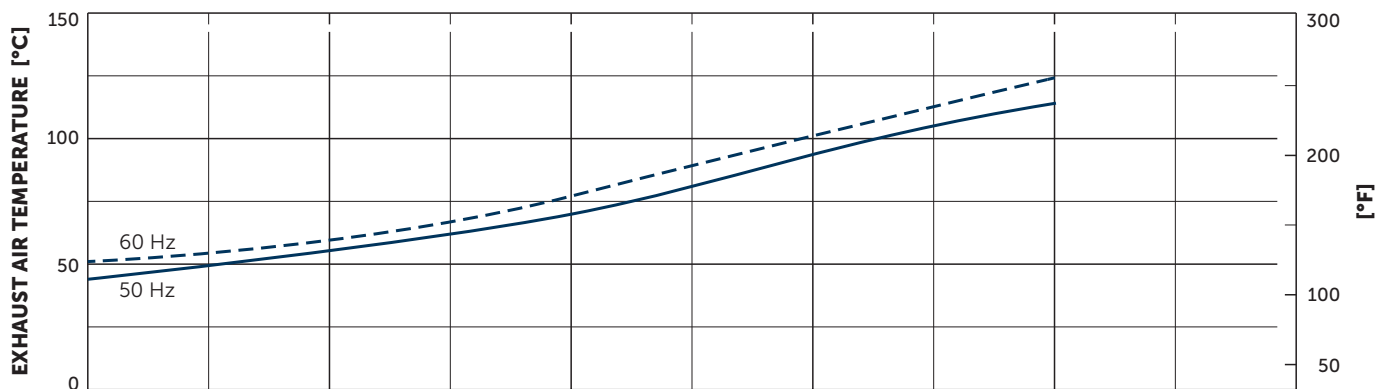
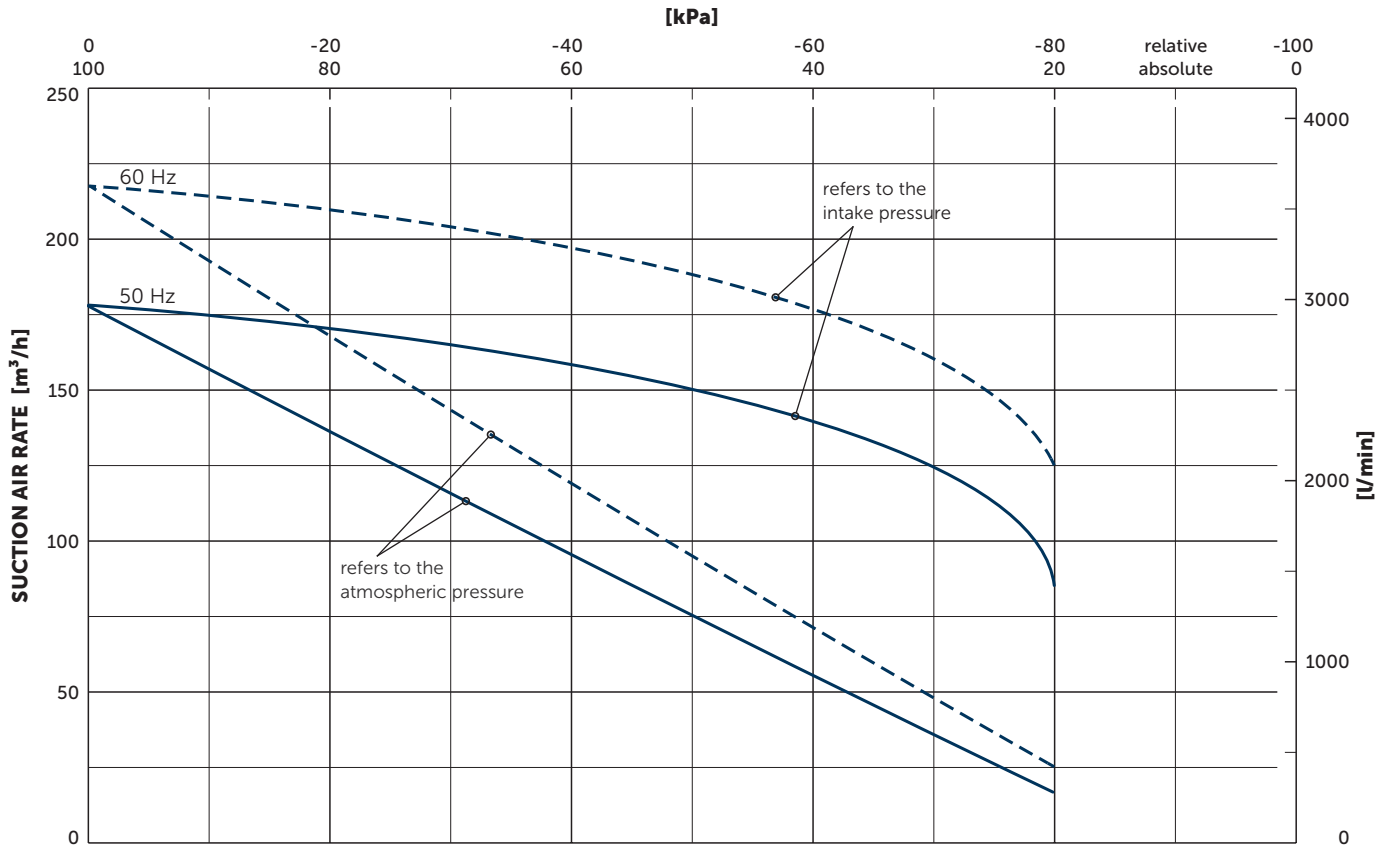
In the area of sensitive vacuum, series X also guarantees precise low-pulsation air conduction.

Becker guarantees for these pumps a vane life-time of 20,000 operating hours or a maximum of 3 years. The enhanced longevity of X series pumps also extends service life intervals, and can cut out the need for frequent service visits with costly pump failures now no longer an issue.



ADVANTAGES

- Quick, clean and quiet
- Oil-free
- Wear resistant
- Energy saving
- Long-life reliability



Reference data (atmosphere): 1000 mbar (100 kPa), 20°C (68°F)
 Tolerance: ±5%

+ VARIANTS AND ACCESSORIES

- Integrated non return valve
- External suction filter¹⁾
- Sound proof box SH 12¹⁾



Example for an external suction filter



Sound proof box SH 12

¹⁾ See separate data sheet

- Possible combinations on request



MAKE IT BECKER.