


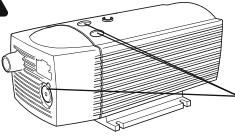


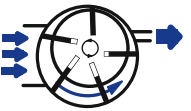




BETRIEBSANLEITUNG
OPERATING INSTRUCTIONS
INSTRUCTIONS DE SERVICE
ISTRUZIONI D'USO
HANDLEIDING
INSTRUCCIONES PARA EL MANEJO
MANUAL DE INSTRUÇÕES
NAUDOJIMOSI INSTRUKCIJA
KASUTUSJUHEND
LIETOŠANAS INSTRUKCIJA
DRIFTSINSTRUKS
DRIFTSINSTRUKTIONER
DRIFTSVEJLEDNING
INSTRUKCJA OBSŁUGI

KEZELÉSI ÚTMUTATÓ
NÁVOD K OBSLUZE
NAVODILO ZA UPORABO
NÁVOD NA OBSLUHU
UPUTE ZA RAD
MANUAL DE OPERATII
TREORACHA OIBRIÚCHÁIN
ΟΔΗΓΙΕΣ ΧΡΗΣΗΣ
EL KITABI
ИНСТРУКЦИИ ЗА ЕКСПЛОАТАЦИЯ
ИНСТРУКЦИЯ ПО ЕКСПЛОАТАЦИИ
取扱説明書
사용설명서
使用说明书

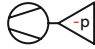



VX 4.10

MAKE IT BECKER.




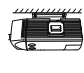
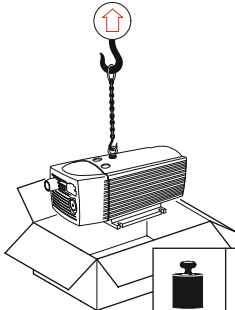


 	
	
 <p><input checked="" type="checkbox"/> AIR</p>	 
	 



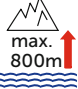
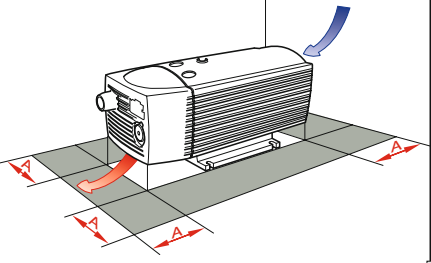
1

 <p>MAX. VACUUM</p>	 <p>mbar</p>
 <p>MAX. V</p>	 <p>m³/h</p>
<p>L_{pA})))</p> <p>DIN EN ISO 11203 Accuracy Class 2 K_{pA} = 3 dB(A) l ← 1m</p>	<p>L_{pA} = 60 dB(A) - 50Hz L_{pA} = 62 dB(A) - 60Hz</p>

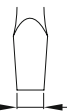
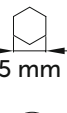
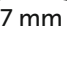
2

			
<p><input checked="" type="checkbox"/></p>	<p>?</p>	<p>BECKER</p>	<p>?</p>
			
			<p>16 kg 35.3 lbs</p>

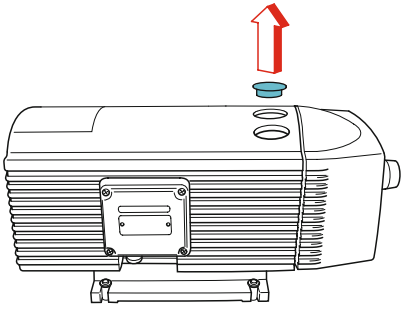
3

<p>A > 100mm A > 4"</p>	 <p>> 5°C/41°F < 45°C/113°F</p>	 <p>max. 90%</p>	 <p>max. 800m ↑</p>
			

4

 <p>6 mm</p>	 <p>5 mm</p>	 <p>7 mm</p>
---	---	---

5



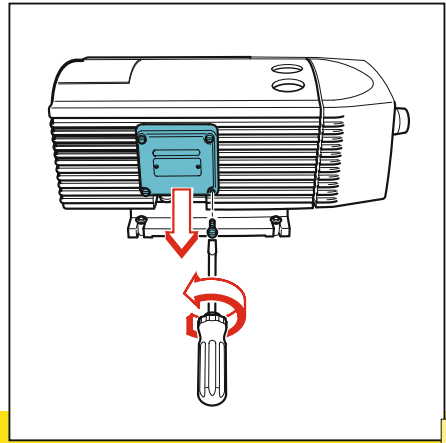
6

MOTOR-PROTECTION =

(cf. LXX)	
50Hz	60Hz
XXX / 2000 V	XXX / 2000 V
(XX / XX A)	(XX / XX A)

SERVICE FACTOR X RATED CURRENT

7



8

3 ph

ON (1) -

OFF (0) -

9

3 ph

10

0 2 10 [m]

VACUUM

11

MAX.

-0,9 bar

-26,6 in.Hg

12

Maintenance




n=0min⁻¹

2-3 Min



13

14

3x	A <input checked="" type="checkbox"/>	6.2Nm
2x	- <input type="checkbox"/>	2Nm

15

1.

(F2) F1

2.

16

F1: D: 38 mm
H: 38 mm
No.: **90951801000**

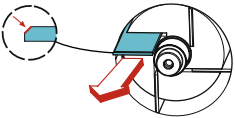
F2: D: 39 mm
H: 40 mm
No.: **90955400000**

EN149 - FFP3
42 CFR 84 - N100


17



18

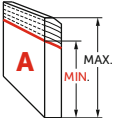
7500 h




$A_{MAX} = 27\text{mm}$
 $A_{MIN} = 18\text{mm}$

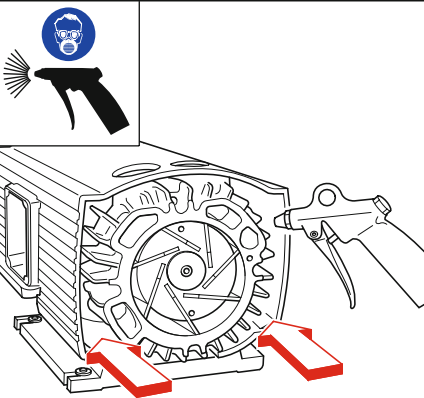

$A_{T-} < 18\text{mm}$ 


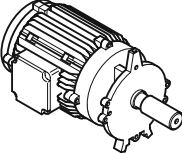


 → No. 90141300007 (SET)

19

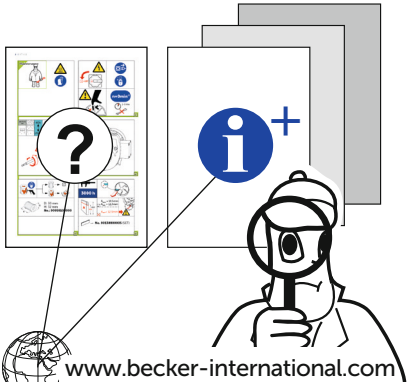
20

~~Regulation
EU 2019/1781~~

This pump falls under an exemption from EU 2019/1781 as the motor and the pump have common parts.

21




www.becker-international.com

22



WWW.BECKER-INTERNATIONAL-SHOP.COM

Gebr. Becker GmbH
 Hoelker Feld 29-31
 42279 WUPPERTAL
 GERMANY
info@becker-international.com
www.becker-international.com





MAKE IT BECKER.

28100050102 | 2021-12-20 | All rights reserved