


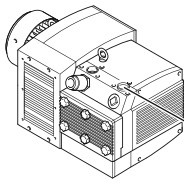







BETRIEBSANLEITUNG
OPERATING INSTRUCTIONS
INSTRUCTIONS DE SERVICE
ISTRUZIONI D'USO
HANDLEIDING
INSTRUCCIONES PARA EL MANEJO
MANUAL DE INSTRUÇÕES
NAUDOJIMOSI INSTRUKCIJA
KASUTUSJUHEND
LIETOŠANAS INSTRUKCIJA
DRIFTSINSTRUKS
DRIFTSINSTRUKTIONER
DRIFTSVEJLEDNING
INSTRUKCJA OBSŁUGI

KEZELÉSI ÚTMUTATÓ
NÁVOD K OBSLUZE
NAVODILO ZA UPORABO
NÁVOD NA OBSLUHU
UPUTE ZA RAD
MANUAL DE OPERATII
TREORACHA OIBRIÚCHÁIN
ΟΔΗΓΙΕΣ ΧΡΗΣΗΣ
EL KITABI
ИНСТРУКЦИИ ЗА ЕКСПЛОАТАЦИЯ
ИНСТРУКЦИЯ ПО ЕКСПЛУАТАЦИИ
取扱説明書
사용설명서
使用说明书





KDX 3.140


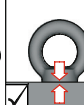


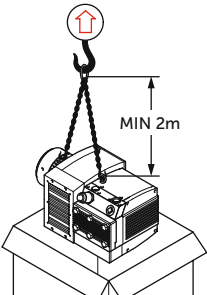
MAKE IT BECKER.





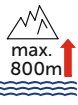
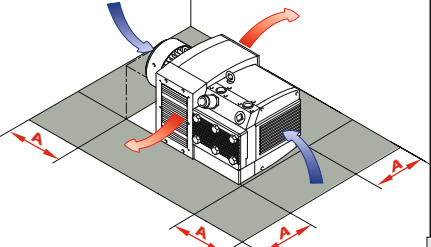
| | | |
|---|---|---|
|   |  | |
| |  | |
|  <p><input checked="" type="checkbox"/> AIR</p> |  |  |
| |  |  |

1


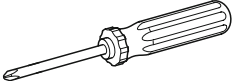

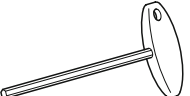

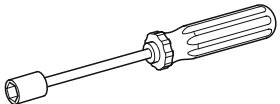
| | | |
|--|--|-------------|
| <p>MAX. PRESSURE</p>  |  | <p>mbar</p> |
| |  <p>MAX.</p>  | |
| <p>L_{pA})))</p> <p>DIN EN ISO 11203 Accuracy Class 2 K_{son} = 3 dB(A) l ← 1m</p> | <p>L_{pA} = 82 dB(A) - 50Hz L_{pA} = 84 dB(A) - 60Hz</p> | <p>2</p> |

| | | | |
|--|---|---|---|
|  |  |  |  <p>136-140 kg 300-309 lbs</p> |
|  <p>MIN 2m</p> | | | |

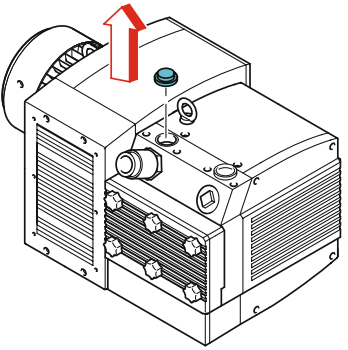
3

| | | | |
|---|--|---|---|
| <p>A > 100mm A > 4"</p> |  <p>> 5°C/41°F < 45°C/113°F</p> |  <p>max. 90%</p> |  <p>max. 800m</p> |
|  | | | |

4

| | |
|---|---|
|  <p>No. 2</p> |  |
|  <p>5 mm</p> |  |
|  <p>7 mm 10 mm</p> |  |

5



6

MOTOR-PROTECTION
=

| | |
|-------------|-------------|
| (CF LXX) | |
| 50Hz | 60Hz |
| XXX / XXX Y | XXX / XXX Y |
| XXX / XXX Z | XXX / XXX Z |

SERVICE FACTOR
X
RATED CURRENT

7

GENERAL

¹⁾ motor protection switch

ON (I) - **MAX 10x/h**

OFF (0) -

ADDITIONAL $\geq 5.5 \text{ kW}$

RECOMMENDATION

A
Softstart

B

OPTIONAL

PTC

Bi-metal

8

9

10

PRESSURE

0 2 10 [m]

11

BECKER

year: XXX/20XX

no.: A1234567

Compressor / vacuum pump

type: XXX

frequency: XXX Hz

speed: XXX rpm

power required: XXX kW

inlet capacity: XXX m³/h

pressure: XXX mbar

vacuum: XXX mbar

CE

12

Maintenance



13

| | |
|--|-----------------------------------|
| | |
| | <p>n=0min⁻¹</p> |

14

| | | | |
|---------------------------------|--------------------|------------------------|--|
| <p>CLEANING INTERVAL</p> | <p>SUCTION AIR</p> | <p>40h</p> <p>200h</p> | <p>EN149 - FFP3 42 CFR 84 - N100</p> |
| | | | |

15

1.

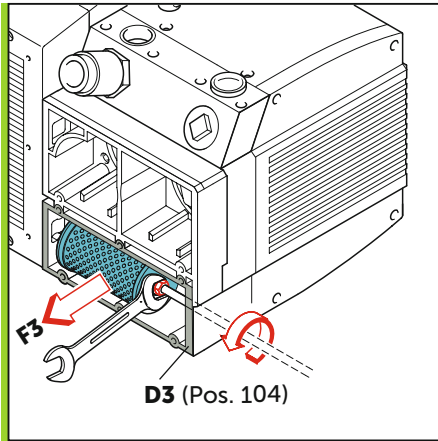
2.

16

| | | |
|--|---|--|
| | <p>F1 = F2 No.: 90950701</p> | |
|--|---|--|

17

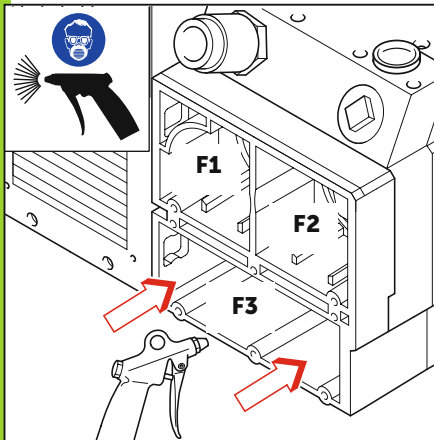
18



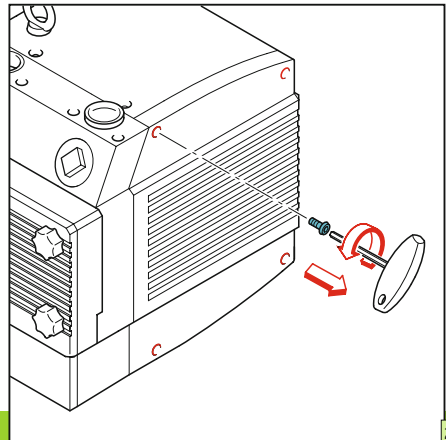
19

| | |
|--|--|
| | |
| <p>F3 No.: 909514 00000</p> | |
| | <p>Satz / Kit Pos.: 17, 20, 24, 62, 75, 76, 85, 86, 104, 122, 125, 126, 146, No.: 549000 21300</p> |

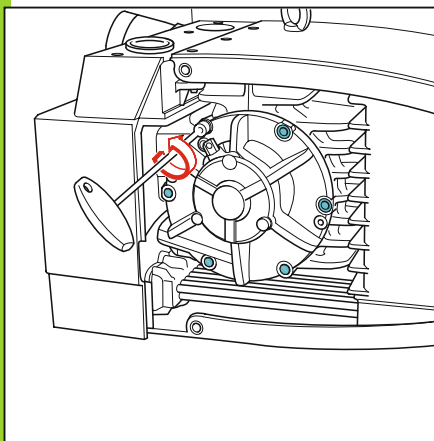
20



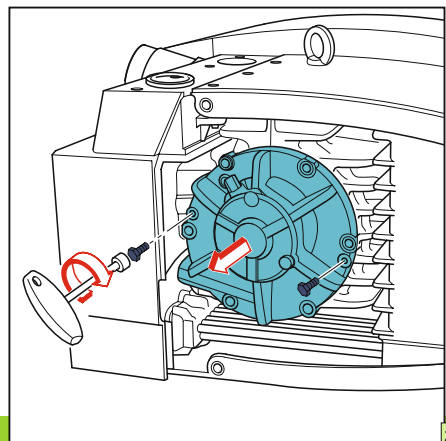
21



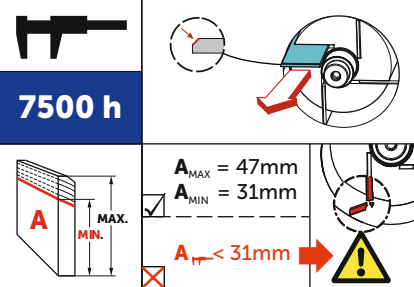
22




23



24

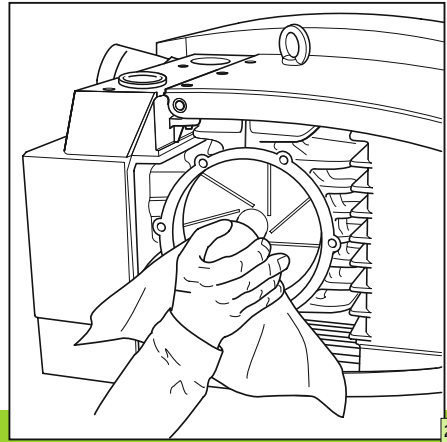


7500 h

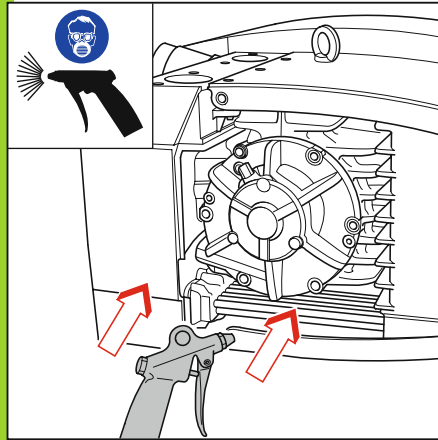
$A_{MAX} = 47mm$
 $A_{MIN} = 31mm$
 $A_{TIT} < 31mm$ → 

→ No. 90132400004 (SET)

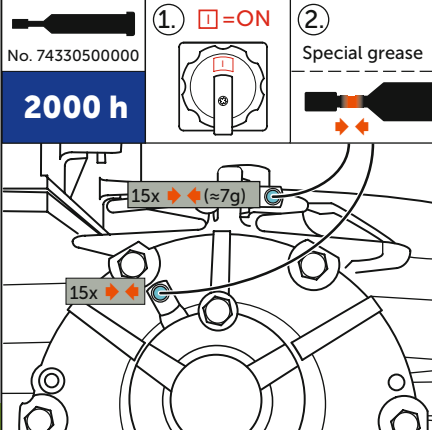
25



26




27





2000 h

No. 74330500000

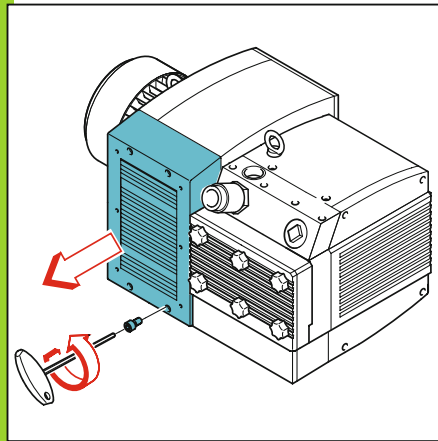
①  = ON

② Special grease

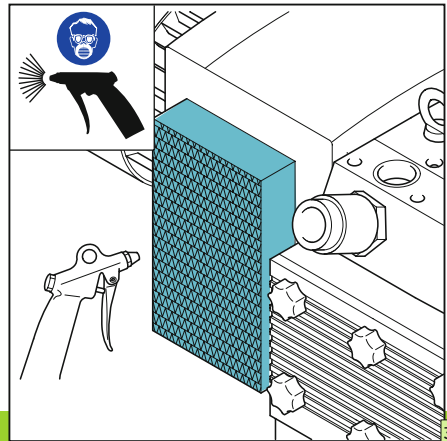
15x  $(\approx 7g)$

15x 

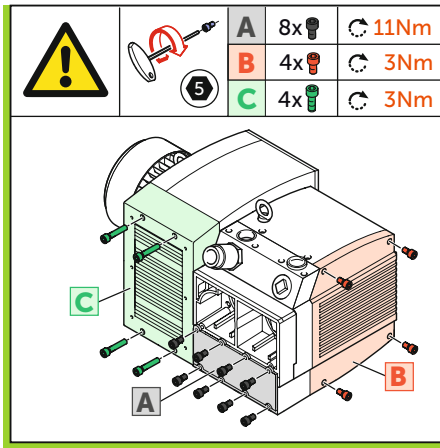
28



29



30



31



32



WWW.BECKER-INTERNATIONAL-SHOP.COM

Gebr. Becker GmbH
 Hoelker Feld 29-31
 42279 WUPPERTAL
 GERMANY
info@becker-international.com
www.becker-international.com





MAKE IT BECKER.

2810050901 | 2021-12-14 | All rights reserved