


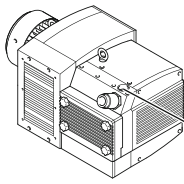







BETRIEBSANLEITUNG  
OPERATING INSTRUCTIONS  
INSTRUCCIONES DE SERVICE  
ISTRUZIONI D'USO  
HANDLEIDING  
INSTRUCCIONES PARA EL MANEJO  
MANUAL DE INSTRUÇÕES  
NAUDOJIMOSI INSTRUKCIJA  
KASUTUSJUHEND  
LIETOŠANAS INSTRUKCIJA  
DRIFTSINSTRUKS  
DRIFTSINSTRUKTIONER  
DRIFTSVEJLEDNING  
INSTRUKCJA OBSŁUGI

KEZELÉSI ÚTMUTATÓ  
NÁVOD K OBSLUZE  
NAVODILO ZA UPORABO  
NÁVOD NA OBSLUHU  
UPUTE ZA RAD  
MANUAL DE OPERATII  
TREORACHA OIBRIÚCHÁIN  
ΟΔΗΓΙΕΣ ΧΡΗΣΗΣ  
EL KITABI  
ИНСТРУКЦИИ ЗА ЕКСПЛОАТАЦИЯ  
ИНСТРУКЦИЯ ПО ЕКСПЛОАТАЦИИ  
取扱説明書  
사용설명서  
使用说明书


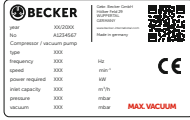

## KVT 3.80


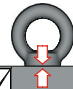


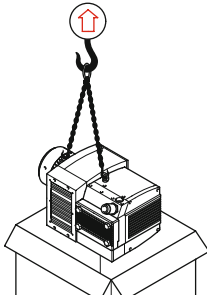
**MAKE IT BECKER.**





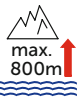
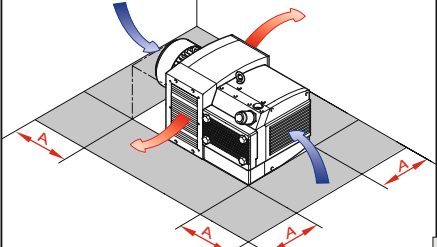
 	
	
 <p><b>AIR</b></p>	 
	 

1


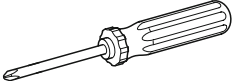

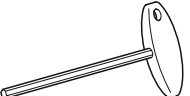

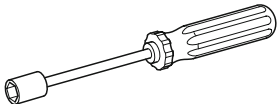
<p><b>MAX. VACUUM</b></p>  <p><b>MAX.</b></p>		<p>mbar</p>
		<p>m<sup>3</sup>/h</p>
<p><b>L<sub>pA</sub></b> )))</p> <p>DIN EN ISO 11203 Accuracy Class 2 K<sub>son</sub> = 3 dB(A) l = 1m</p>	<p>L<sub>pA</sub> = 72 dB(A) - 50Hz L<sub>pA</sub> = 75 dB(A) - 60Hz</p>	<p>2</p>

			 <p>78-86 kg 172-190 lbs</p>
			

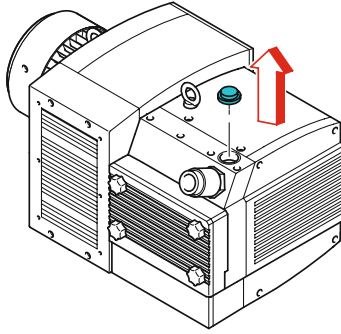
3

<p>A &gt; 100mm A &gt; 4"</p>	 <p>&gt; 5°C/41°F &lt; 45°C/113°F</p>	 <p>max. 90%</p>	 <p>max. 800m</p>
			

4

 <p>No. 2</p>	
 <p>5 mm</p>	
 <p>7 mm 10 mm</p>	

5



6

**MOTOR-PROTECTION**

=

50Hz	60Hz
XXX / XXX V	XXX / XXX V
XXX / XXX A	XXX / XXX A

**SERVICE FACTOR**  
 $\times$   
**RATED CURRENT**

7

optional

Bi-metal

PTC

<sup>1)</sup> motor protection switch

8

9

10

0    2    10 [m]

1"    1 1/2" + 1x

VACUUM

11

**BECKER**    Color: Becker GmbH   

year:    XXX/20XX    Industrie- und ZV

no.:    A1234567    WU/10/17/14

Compressor / vacuum pump

type:    XXX

frequency:    XXX    Hz

speed:    XXX    mm<sup>3</sup>

power required:    XXX    kW




inlet capacity:    XXX    m<sup>3</sup>/h

pressure:    XXX    mbar


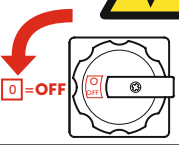




vacuum:    XXX

12


**Maintenance**


13

**n=0min<sup>-1</sup>**



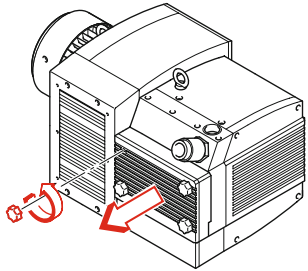
14



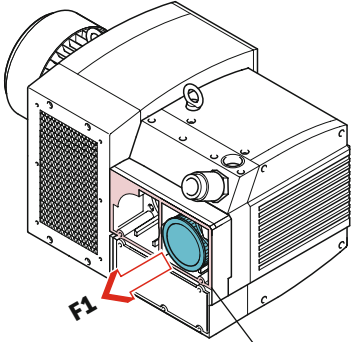
**CLEANING INTERVAL**

40h  
200h

EN149 - FFP3  
42 CFR 84 - N100



15




**F1**

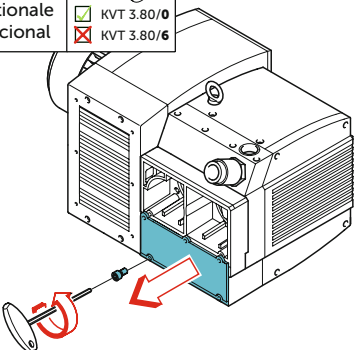
**D1 (Pos. 75)**

16

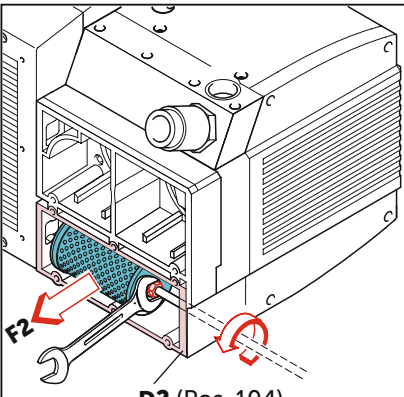
optional  
en option  
opcionale  
opcional



KVT 3.80/0  
 KVT 3.80/6



17



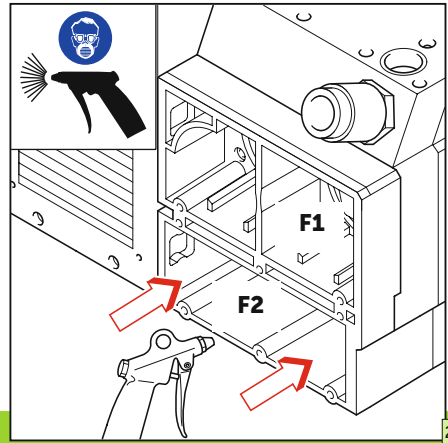
**F2**

**D2 (Pos. 104)**

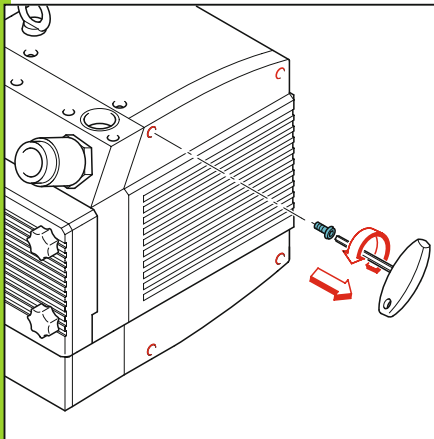
18

<b>F1</b> (standard)  No.: 909507	<b>F1*</b> (polyester) KVT 3.80/6  No.: 909587	<b>F2</b> (standard)  No.: 909510
	Satz / Kit Pos.: 20, 24, 62, 75, 76, 85, 104, 125, 126, 146, 288 No.: 549000 21100	

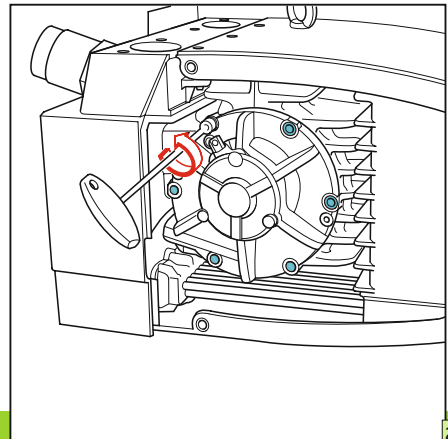
19



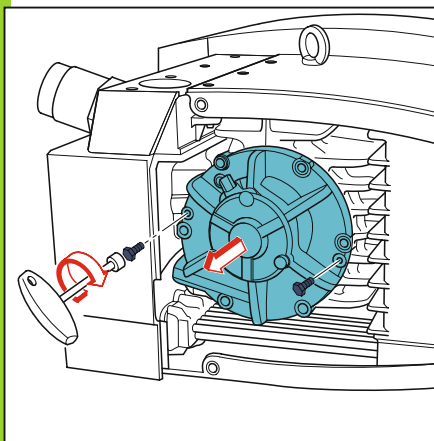
20



21



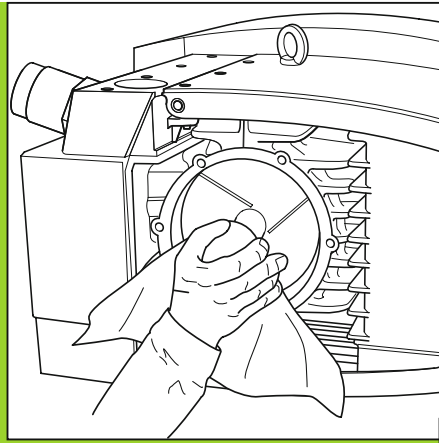
22



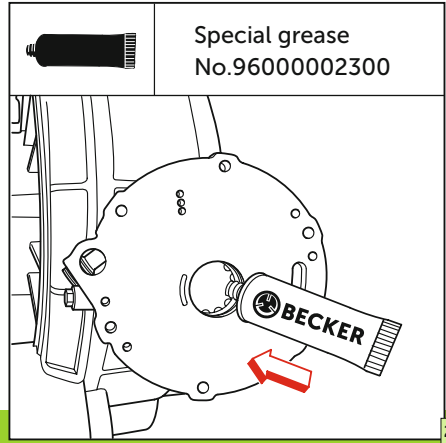
23

<b>3000 h</b>	
	$A_{MAX} = 38mm$ $A_{MIN} = 26mm$ $A_{spr} < 26mm$
KVT 3.80 (standard) KVT 3.80/6	→ No. 90133000004 (SET) → No. 90137900004 (SET)

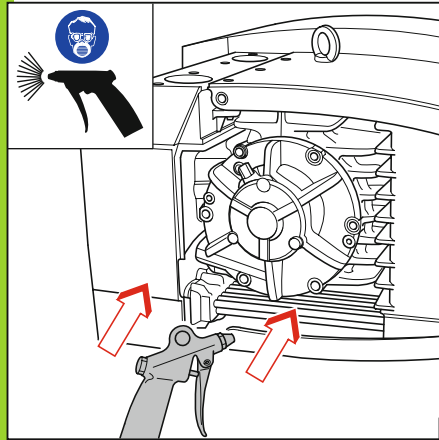
24



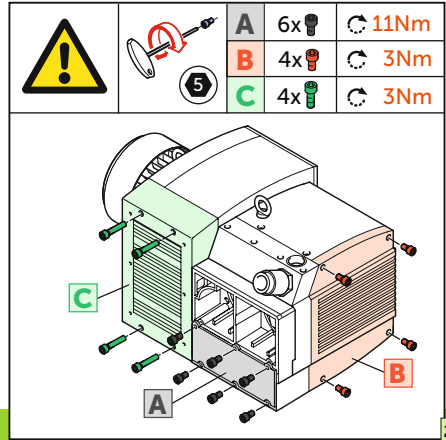
25



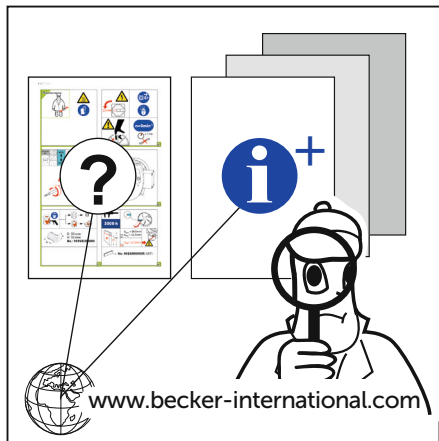
26



27



28



29



[WWW.BECKER-INTERNATIONAL-SHOP.COM](http://WWW.BECKER-INTERNATIONAL-SHOP.COM)

Gebr. Becker GmbH  
Hoelker Feld 29-31  
42279 WUPPERTAL  
GERMANY  
[info@becker-international.com](mailto:info@becker-international.com)  
[www.becker-international.com](http://www.becker-international.com)





**MAKE IT BECKER.**

2810.0021102 | 2021-12-13 | All rights reserved