

DATA SHEET

**SV 130/1**

# **SIDE CHANNEL VACUUM PUMPS**

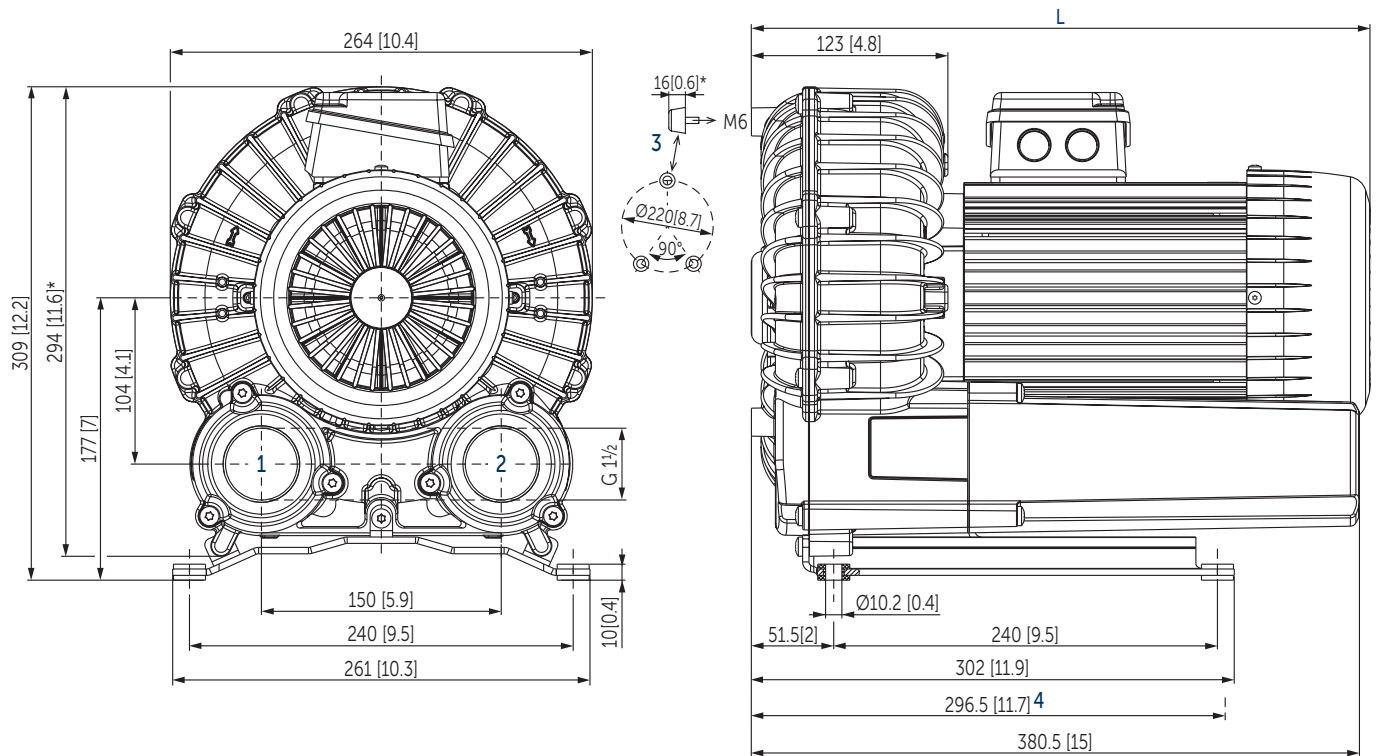
single stage

air-cooled

---

**MAKE IT BECKER.**





- 1 Vacuum connection (G1½)
- 2 Pressure connection (G1½)
- 3 Rubber buffer position (optional)
- 4 Short silencers (optional)
- \* Device dimensions without pedestal under the silencer, with rubber buffers on the enclosure cover
- The motor illustration may vary
- Dimensions in mm [inch]

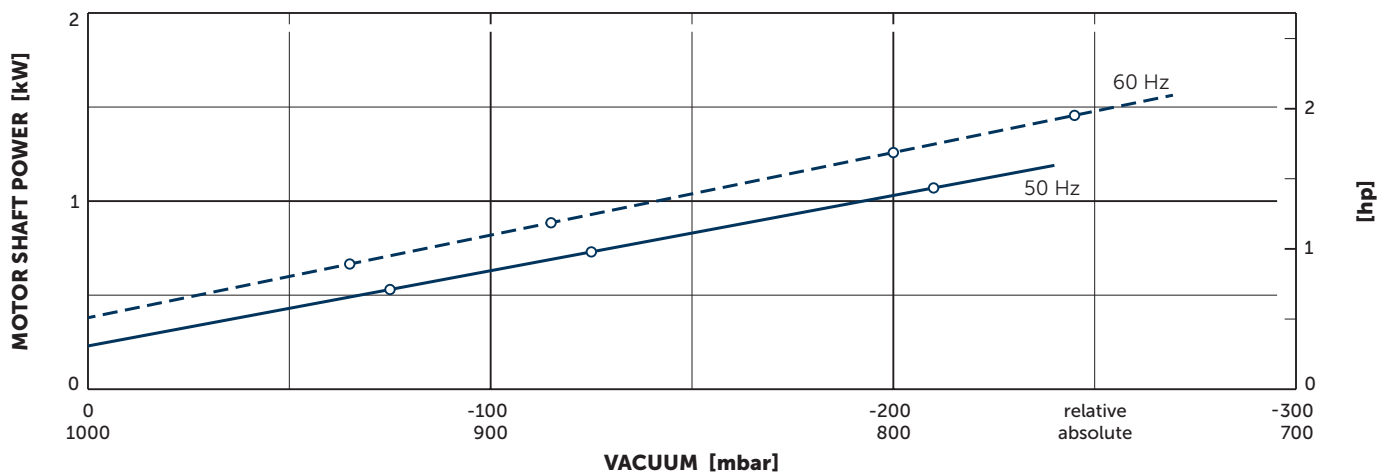
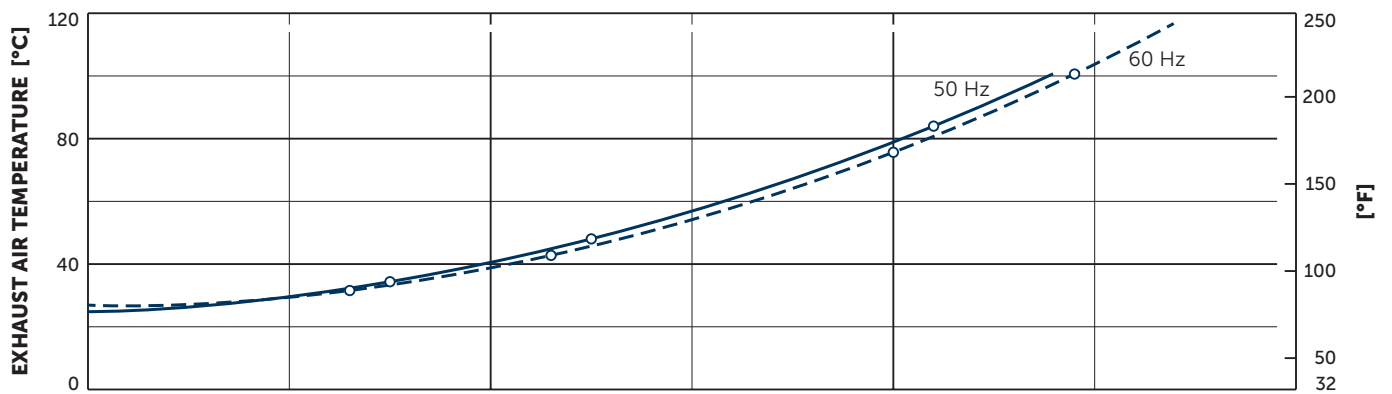
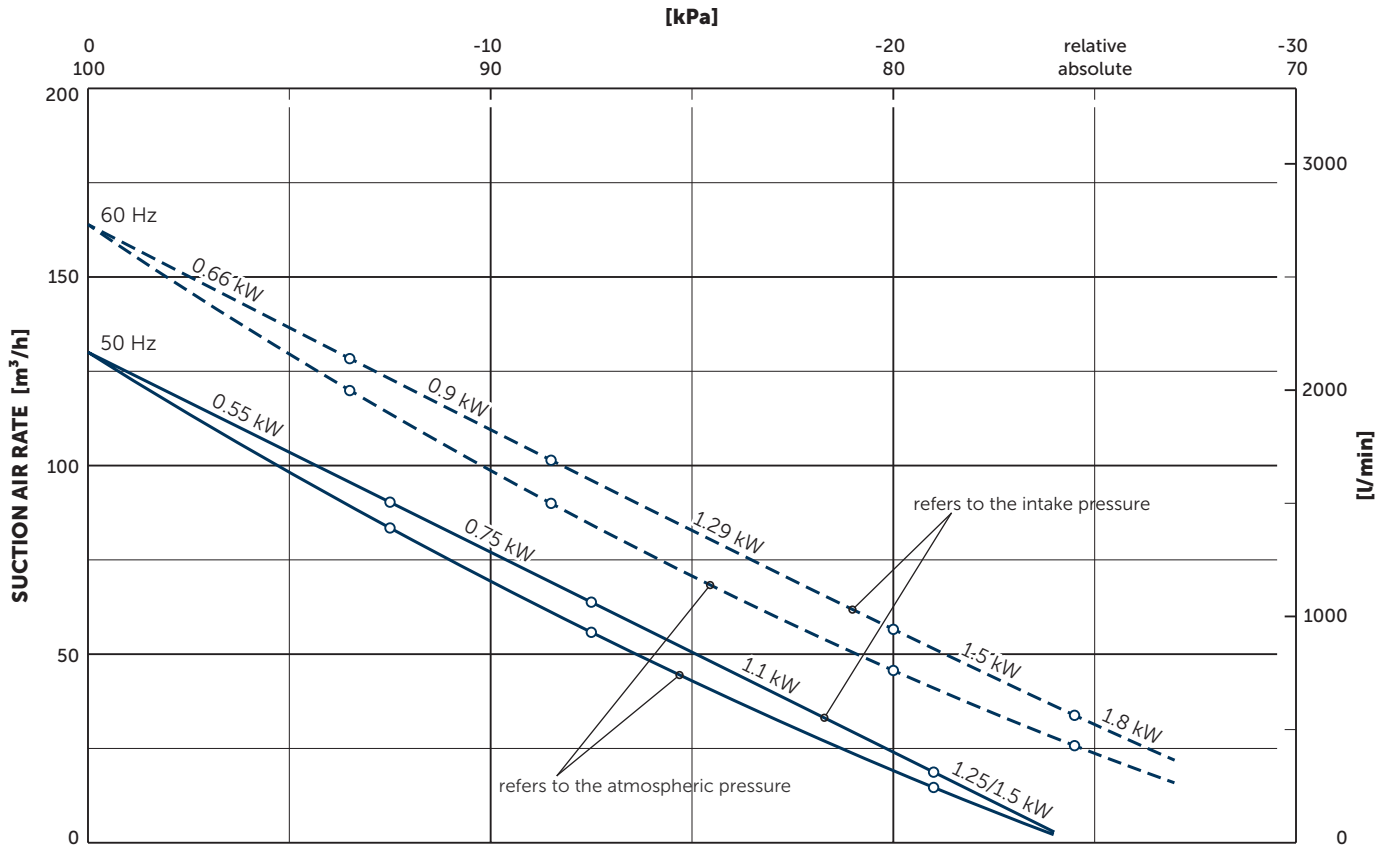
Suction air rate		Vacuum relative		Motor capacity		Emission sound pressure level <sup>1)</sup>		Weight incl. motor
m <sup>3</sup> /h		mbar		kW		dB(A)		kg
50 Hz	60 Hz	50 Hz	60 Hz	50 Hz	60 Hz	50 Hz	60 Hz	
130	160	-75	-65	0.55	0.66	60.9 (-50 mbar)	63.6 (-50 mbar)	21.0
130	160	-125	-115	0.75	0.9	60.9 (-50 mbar)	63.6 (-50 mbar)	22.0
130	160	-210	-200	1.1	1.29/1.3	63.4 (-140 mbar)	64.8 (-140 mbar)	22.5
130	160	-240	-245	1.25	1.5	63.4 (-140 mbar)	64.8 (-140 mbar)	24.5
130	160	-240	-270	1.5	1.8	64.0 (-160 mbar)	65.4 (-160 mbar)	26.0

<sup>1)</sup> According to DIN EN ISO 11203, accuracy class of measurement: class 2, extended measurement uncertainty: 3 dB  
1 m [39.4 inch] distance, at medium load, both connection sides piped

3~ Motors											L	
#	50 Hz				60 Hz				Version	mm [inch]		
	kW	V	rpm	A	kW	V	rpm	A				
01	0.55	$\Delta$ 230/Y400	IE3	2895	2.10/1.21	0.66	$\Delta$ 265/Y460 $\Delta$ 230/Y400	IE3	3515 3493	2.15/1.24 2.31/1.34	UL • CSA IP55 • ISO F • bimetal	369 [14.5]
02						0.66	YY230/Y460 YY208/Y –	IE3	3515 3496	2.50/1.25 2.58/ –	UL • CSA IP55 • ISO F • bimetal	369 [14.5]
03	0.55	$\Delta$ 200/Y350	IE3	2903	2.42/1.40	0.66	$\Delta$ 220/Y380–400 $\Delta$ 200/Y350	IE3	3518 3496	2.53/1.48–1.46 2.70/1.56	UL • CSA IP55 • ISO F • bimetal	369 [14.5]
04	0.75	$\Delta$ 230/Y400	IE3	2888	2.70/1.55	0.9	$\Delta$ 265/Y460 $\Delta$ 230/Y400	IE3 IE3	3503 3460	2.70/1.57 3.00/1.76	UL(E235514) • CSA • CC329B IP55 • ISO F • bimetal	384 [15.1]
05						0.9	YY230/Y460 YY208/Y –	IE3	3505 3493	3.40/1.70 3.47/ –	UL • CSA IP55 • ISO F • bimetal	384 [15.1]
06	0.75	$\Delta$ 200/Y350	IE3	2893	3.43/1.98	0.9	$\Delta$ 220/Y380–400 $\Delta$ 200/Y350	IE3	3505 3458	3.30/1.95–1.92 3.59/2.07	IP55 • ISO F • bimetal	384 [15.1]
07	1.1	$\Delta$ 230/Y400	IE3	2870	4.3/2.5	1.29	$\Delta$ 265/Y460 $\Delta$ 230/Y400	IE3	3460 3395	4.3/2.5 4.7/2.7	UL • CSA IP55 • ISO F • bimetal	387 [15.2]
08						1.3	YY230/Y460 YY208/Y –	IE3 –	3465 3430	4.8/2.4 5.05/ –	UL(E235514) • CSA • CC329B IP55 • ISO F • bimetal	423 [16.7]
09	1.1	$\Delta$ 200/Y350	IE3	2875	5.0/2.9	1.29	$\Delta$ 220/Y380–400 $\Delta$ 200/Y350	IE3	3462 3405	5.0/2.9–3.0 5.2/3.0	IP55 • ISO F • bimetal	387 [15.2]
10	1.25	$\Delta$ 230/Y400	IE3	2865	4.7/2.7	1.5	$\Delta$ 265/Y460 $\Delta$ 230/Y400	IE3	3457 3385	4.9/2.8 5.2/3.0	UL • CSA IP55 • ISO F • bimetal	407 [16.0]
11						1.5	YY230/Y460 YY208/Y –	IE3	3500 3470	5.4/2.7 5.65/ –	UL(E235514) • CSA • CC329B IP55 • ISO F • bimetal	423 [16.7]
12	1.25	$\Delta$ 200/Y350	IE3	2880	5.6/3.2	1.5	$\Delta$ 220/Y380–400 $\Delta$ 200/Y350	IE3	3450 3410	5.7/3.3 5.9/3.4	IP55 • ISO F • bimetal	407 [16.0]
13	1.5	$\Delta$ 230/Y400	IE3	2900	6.6/3.8	1.8	$\Delta$ 265/Y460 $\Delta$ 230/Y400	IE3	3490 3450	6.4/3.7 6.5/3.8	UL • CSA IP55 • ISO F • bimetal	427 [16.8]
14						1.8	YY230/Y460 YY208/Y –	IE3	3490 3470	6.9/3.45 6.85/ –	UL(E235514) • CSA • CC329B IP55 • ISO F • bimetal	423 [16.7]
15	1.5	$\Delta$ 200/Y350	IE3	2905	7.4/4.3	1.8	$\Delta$ 220/Y380–400 $\Delta$ 200/Y350	IE3	3480 3450	7.2/4.3–4.2 7.2/4.2	UL • CSA IP55 • ISO F • bimetal	427 [16.8]

1~ Motors											L	
#	50 Hz				60 Hz				Version	mm [inch]		
	kW	V	rpm	A	kW	V	rpm	A				
01	0.55	230 $\pm$ 10%		2892	3.35	0.66	230 $\pm$ 10%		3443	3.97	UL • CSA IP55 • ISO F • bimetal	398 [15.7]
02	0.75	230 $\pm$ 10%		2885	5.0	0.9	230 $\pm$ 10%		3445	5.13	UL(E235514) • CSA IP55 • ISO F • bimetal	400 [15.8]
03	1.1	230 $\pm$ 10%		2855	6.7	1.3	230 $\pm$ 10%		3375	7.9	UL • CSA IP55 • ISO F • bimetal	387 [15.2]
04	1.5	230 $\pm$ 10%		2860	8.9	1.8	230 $\pm$ 10%		3350	11.0	UL • CSA IP55 • ISO F • bimetal	427 [16.8]

• Current consumption and rotation speed may vary. Tolerance in each case -1.5/+2%



Reference data (atmosphere): 1000 mbar (100 kPa), 20°C (68°F)

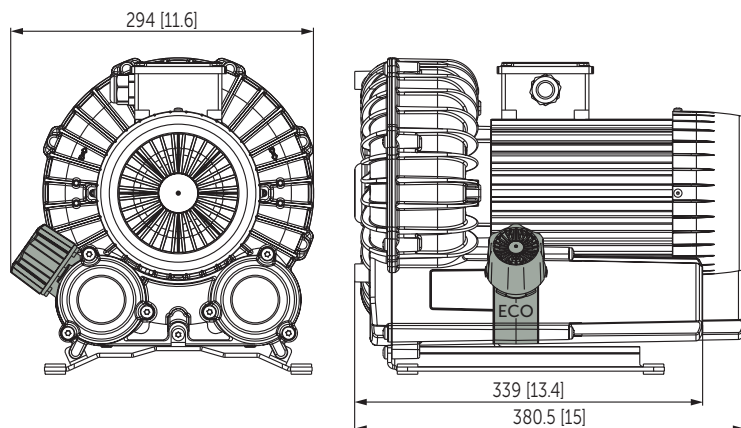
Tolerance: ±10%

Temperature: Inlet air 0°C ... 40°C (32°F ... 104°F), Ambient air 3~ -10°C ... 40°C (14°F ... 104°F), Ambient air 1~ 15°C ... 40°C (59°F ... 104°F)

## + VARIANTS AND ACCESSORIES

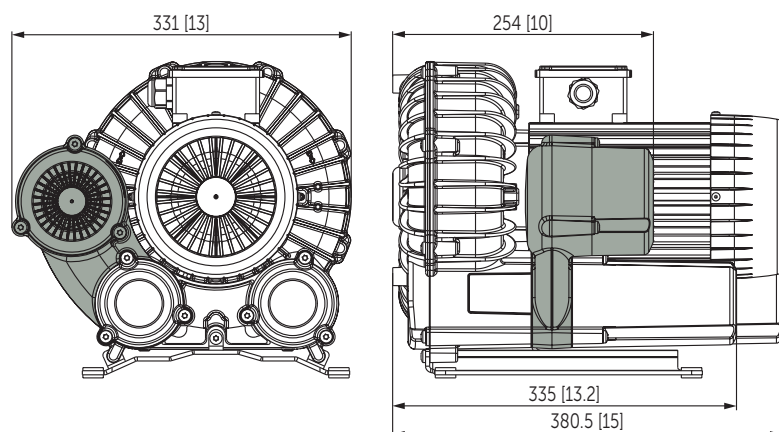
### ECO VACUUM SAFETY VALVE

- The application is pressure dependent.



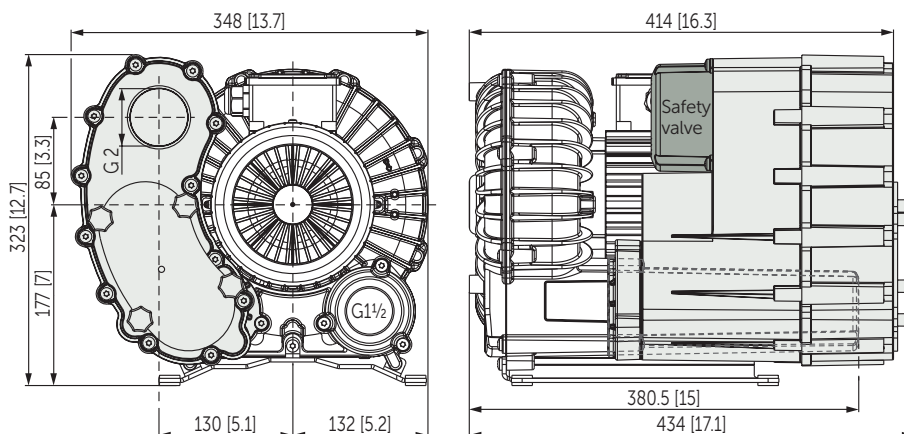
### VACUUM SAFETY VALVE

- The application is pressure dependent.



### SUCTION FILTER

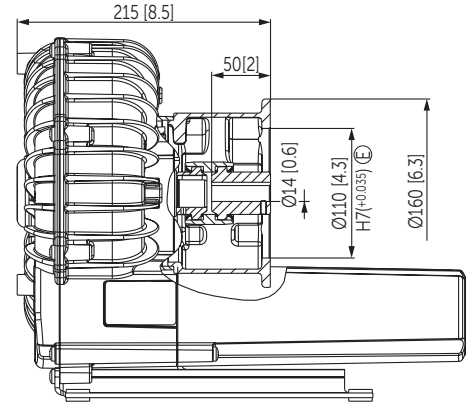
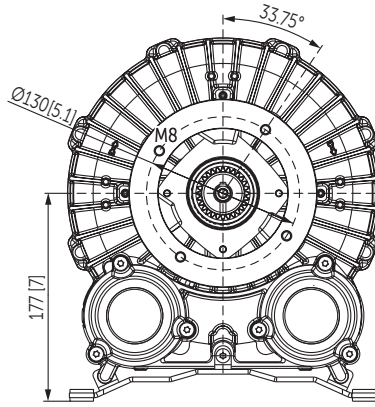
- Vacuum-sealed filter housing
- Paper or polyester insert
- Can be combined with vacuum safety valve



- Dimensions in mm [inch] – Further dimensions can be found in the illustration on page 2.
- The motor illustration may vary
- Combination options on request

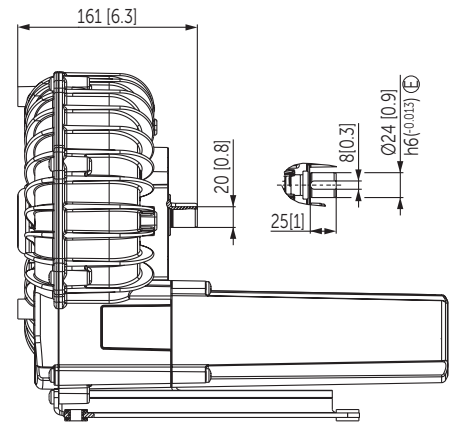
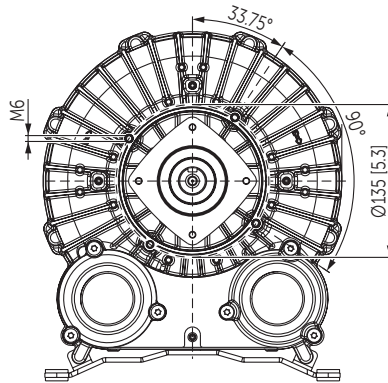
**WITHOUT MOTOR**

- With coupling for flange motor



**WITHOUT MOTOR**

- With free shaft end
- Max. 5600 rpm with V-belt pulley, performance data of VARIAIR SV 130/1



**OTHER VARIANTS AND ACCESSORIES**

- VARIAIR SV 130/1<sup>1)</sup> – Side channel blowers with frequency inverter for 100 Hz operation
- Without pedestal under the silencers, with rubber buffers on the enclosure cover
- Short or long silencers
- Increased corrosion protection
- External suction filters<sup>1)</sup>
- Sound proof box SH 18<sup>1)</sup>



VARIAIR SV 130/1



SH 18

<sup>1)</sup> See separate data sheet

- Dimensions in mm [inch] – For other dimensions, see the figure on page 2.
- Possible combinations on request





**MAKE IT BECKER.**