

DATA SHEET

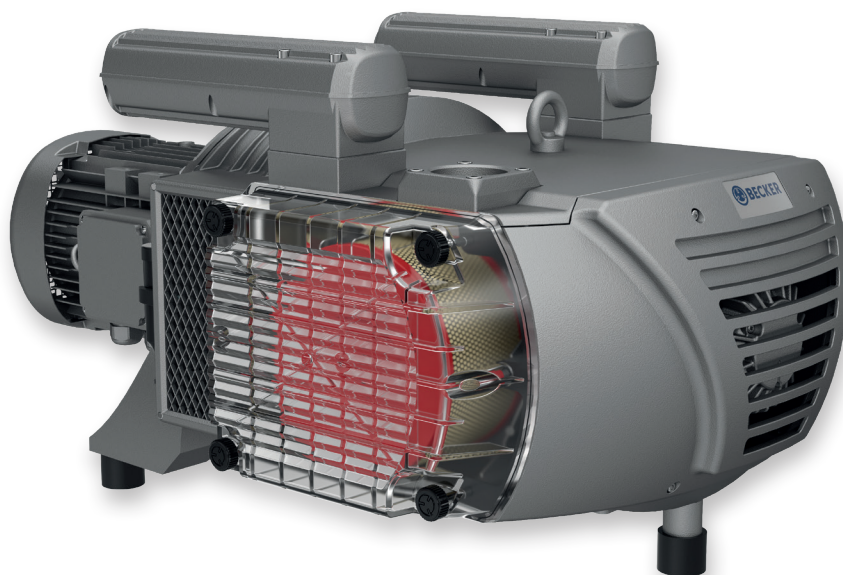
VTLF 2.250

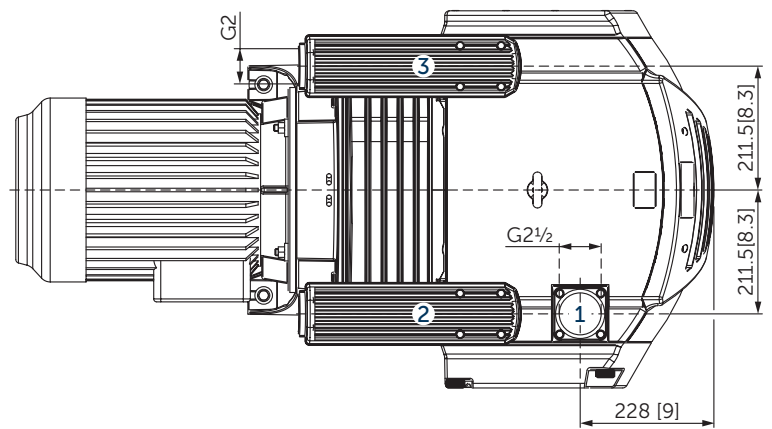
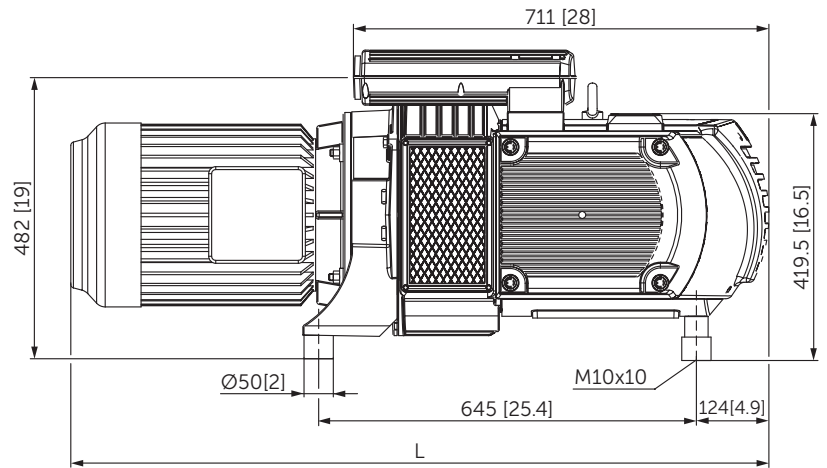
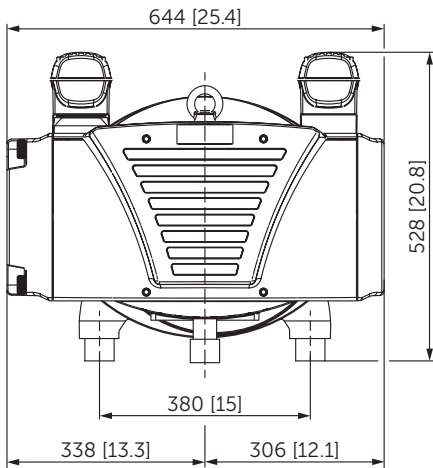
ROTARY VANE VACUUM PUMPS

oil-free

air-cooled

MAKE IT BECKER.





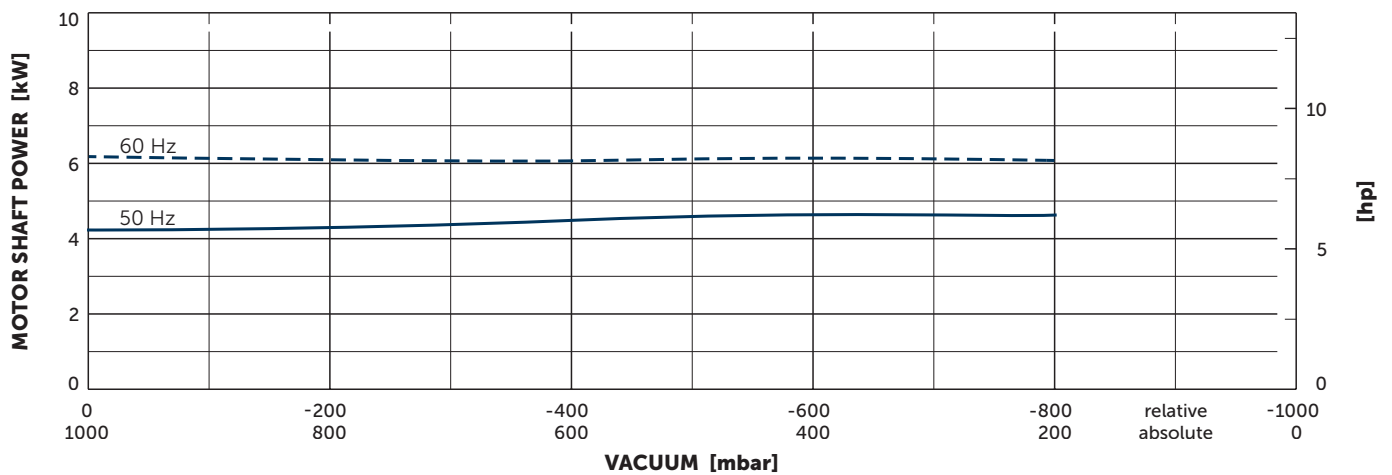
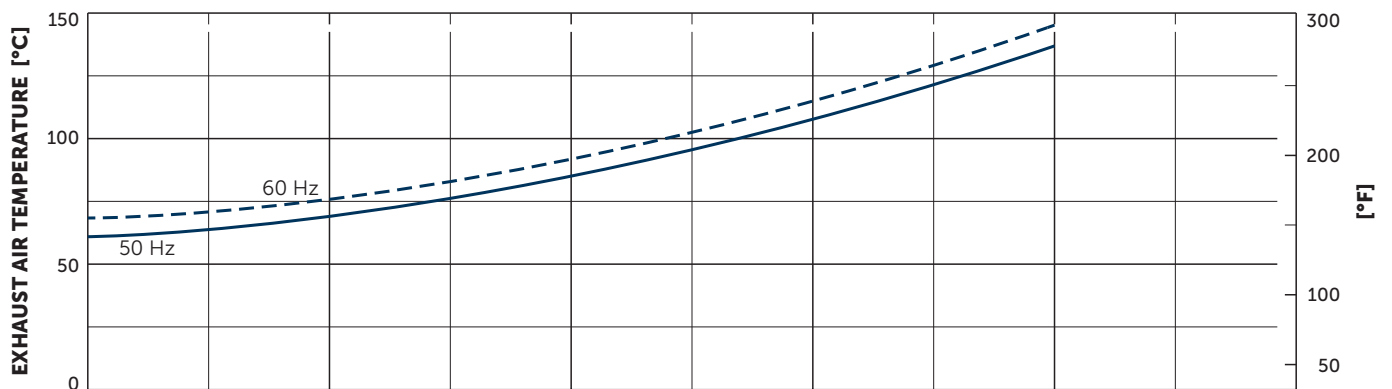
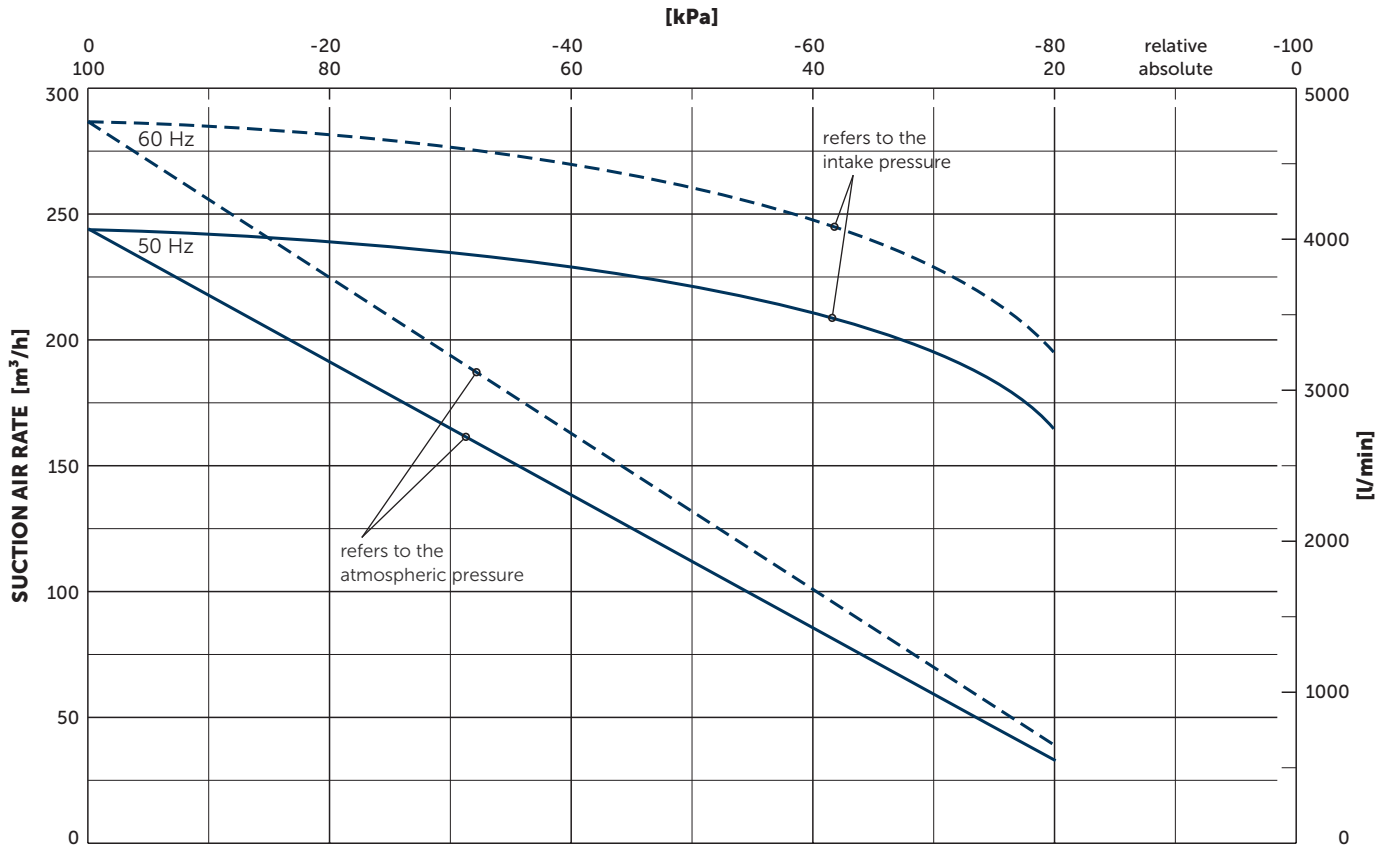
- 1 Vacuum connection (G2¹/₂)
- 2 Vacuum relief valve with silencer
- 3 Blow-off valve with silencer
 - Including integrated suction air filter
 - The motor illustration may vary.
 - Dimensions in mm [inch]

Suction air rate		Vacuum absolute		Emission sound pressure level ¹⁾		Weight w/o motor
m ³ /h		mbar		dB(A)		kg
50 Hz	60 Hz	50 Hz	60 Hz	50 Hz	60 Hz	
244	286	200	200	77	79	151

¹⁾ According to DIN EN ISO 3744 (KpA = 3 dB(A)), 1 m [39.4 inch] distance, at medium load, both connection sides piped

3~ Motors												L	
#	50 Hz				60 Hz				Version	Weight kg	mm [inch]		
	kW	V	min ⁻¹	A	kW	V	min ⁻¹	A					
01	5.5	Δ230/Y400	IE3	972	23.4/13.5	6.6	Δ265/Y460	IE3	1170	23.4/13.5	IP55 • ISO F • bimetal	102.0	1144 [45.1]
							Δ230/Y400		1162	24.2/14.0			
02	5.5	Δ400/Y690	IE3	976	13.5/7.8	6.6	Δ460/Y795	IE3	1173	13.6/7.9	IP55 • ISO F • bimetal	107.0	1144 [45.1]
							Δ400/Y690		1160	14.3/8.3			
03						6.6	YY230/Y460	IE3	1175	27.8/13.9	UL(E235514) • CSA CC329B IP55 • ISO F • bimetal	107.0	1144 [45.1]
							YY208		1159	28.1			
04	5.5	Δ200/Y350	IE3	974	26.9/15.5	6.6	Δ220/Y380–400	IE3	1168	26.7/15.4–15.3	IP55 • ISO F • bimetal	107.0	1144 [45.1]
							Δ200/Y350		1162	27.8/16.1			
05						6.6	Δ400/Y690	IE3	1175	15.2/8.8	UL(E235514) • CSA CC329B IP55 • ISO F • bimetal	107.0	1144 [45.1]

• Current consumption and rotation speed may vary. Tolerance in each case -1.5/+2%



Reference data (atmosphere): 1000 mbar (100 kPa), 20°C (68°F)
 Tolerance: ±5%

+ VARIANTS AND ACCESSORIES

VXLF 2.250

SERIES X: BECKER INNOVATION WITH TOP WARRANTY

Equipped with specially developed vanes, these oil-free rotary vane pumps distinguish themselves by high abrasion resistance, and with that extremely long service lives. Due to the low wear there is also minimal dust, so the series X pumps are perfectly suited for precision processes under clean room conditions.

This innovation branded by Becker is outstanding not only because of its 100 percent oil-free operation, excellent degree of efficiency and low power consumption.

In the area of sensitive vacuum, series X also guarantees precise low-pulsation air conduction.

Becker guarantees for these pumps a vane life-time of 20,000 operating hours or a maximum of 3 years. The enhanced longevity of X series pumps also extends service life intervals, and can cut out the need for frequent service visits with costly pump failures now no longer an issue.



ADVANTAGES

- Quick, clean and quiet
- Oil-free
- Wear resistant
- Energy saving
- Long-life reliability

OTHER VARIANTS AND ACCESSORIES

- **VARIAIR VTLF 2.250/0-400** with frequency inverter¹⁾
- Integrated non return valve
- Increased corrosion protection
- External suction filter¹⁾
- Sound proof box SH 10¹⁾



VARIAIR VTLF 2.250/0-400



Example for an external suction filter



Sound proof box SH 10

¹⁾ See separate data sheet

- Possible combinations on request



MAKE IT BECKER.