

DATA SHEET

**VTLF 2.500**

# ROTARY VANE VACUUM PUMPS

oil-free

air-cooled

---

**MAKE IT BECKER.**

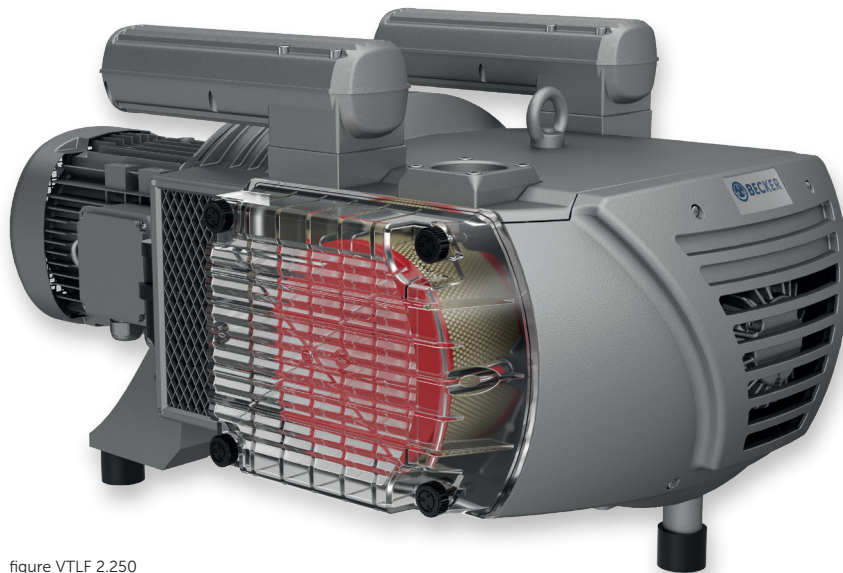
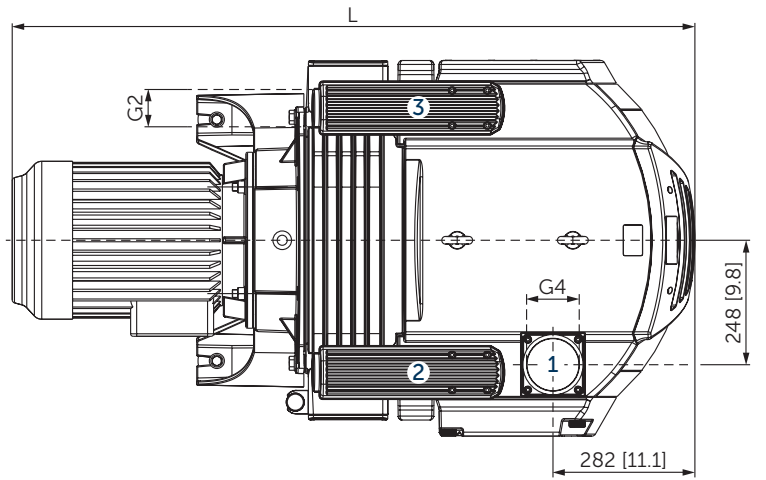
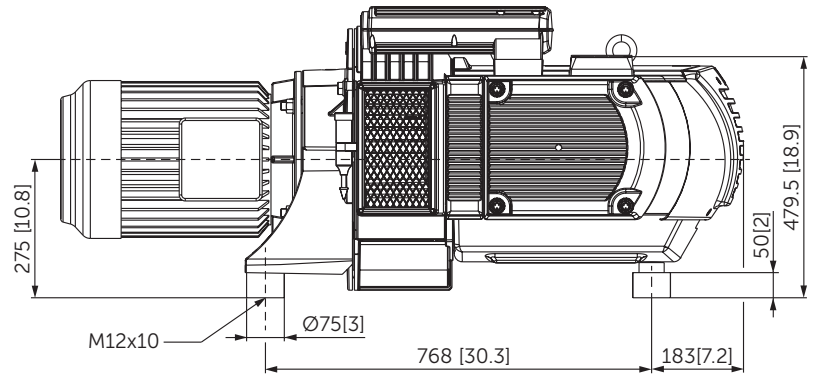
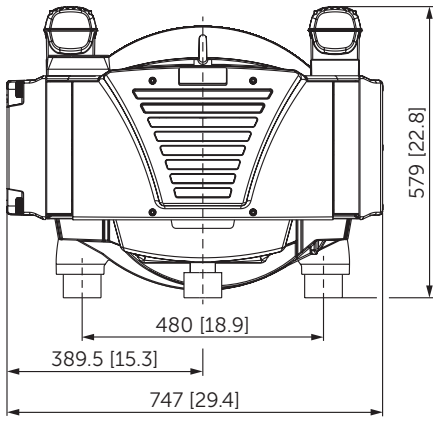


figure VTLF 2.250



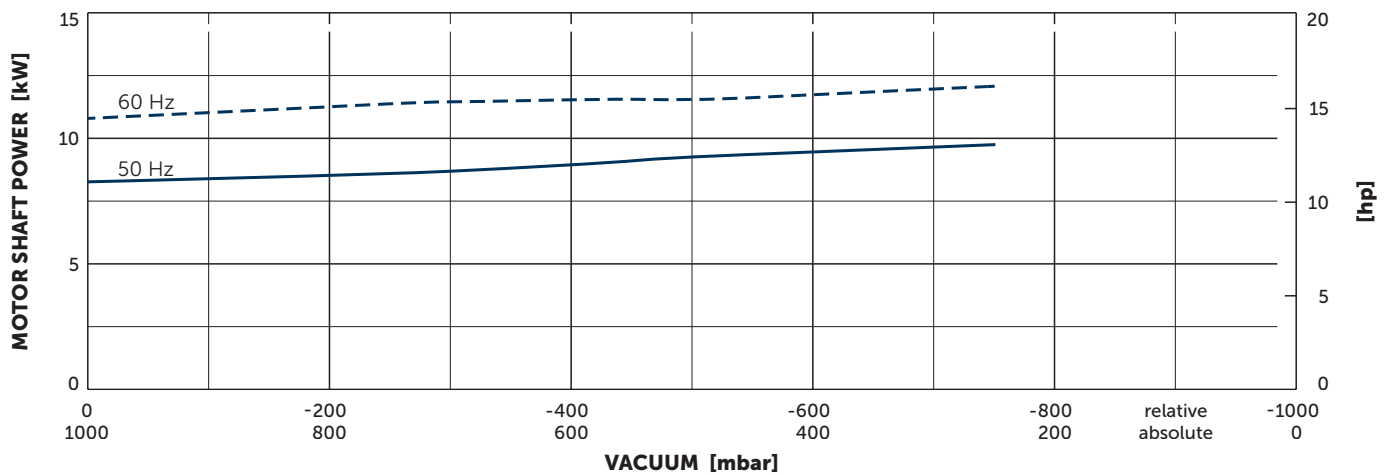
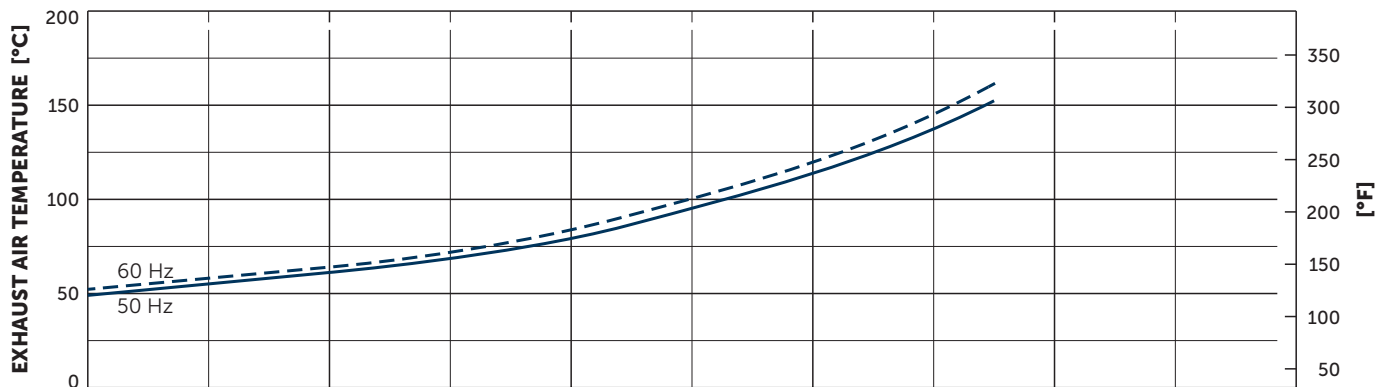
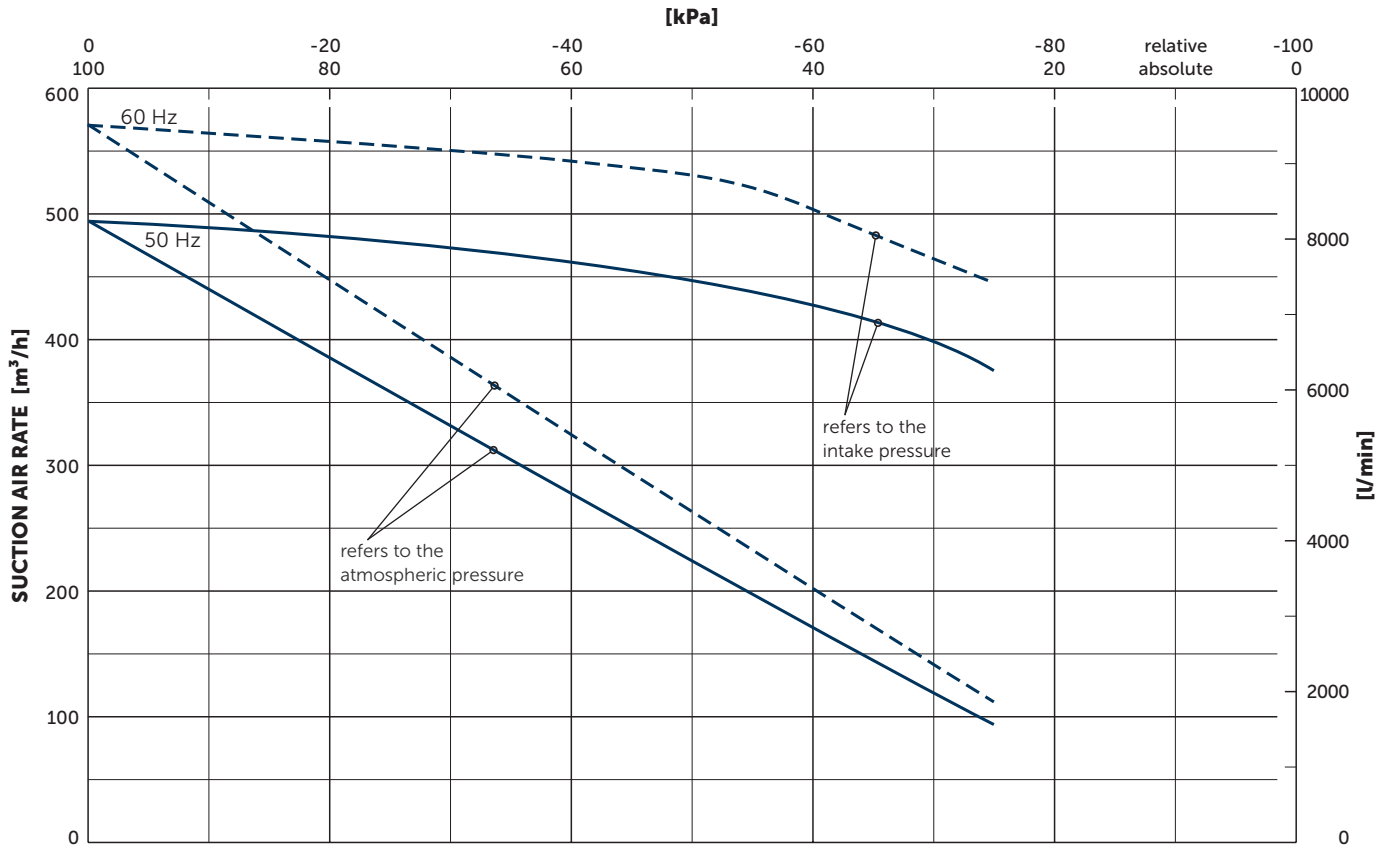
- 1 Vacuum connection (G4)
- 2 Vacuum relief valve with silencer
- 3 Blow-off valve with silencer
- Including integrated suction air filter
- The motor illustration may vary.
- Dimensions in mm [inch]

Suction air rate		Vacuum absolute		Emission sound pressure level <sup>1)</sup>		Weight w/o motor
m <sup>3</sup> /h		mbar		dB(A)		kg
50 Hz	60 Hz	50 Hz	60 Hz	50 Hz	60 Hz	
495	570	250	250	79	80	248

<sup>1)</sup> According to DIN EN ISO 3744 (KpA = 3 dB(A)), 1 m [39.4 inch] distance, at medium load, both connection sides piped

3~ Motors												L	
#	50 Hz					60 Hz					Version	Weight kg	mm [inch]
	kW	V	min <sup>-1</sup>	A	kW	V	min <sup>-1</sup>	A					
01	11.0	Δ400	IE3	978	24.9	13.2	Δ460	IE3	1185	25.0	IP55 • ISO F • bimetal	163.0	1477 [58.2]
							Δ400		1180	27.3			
02						13.2	YY230/Y460	IE3	1185	50.6/25.3	UL(E235514) • CSA CC329B	162.5	1477 [58.2]
							YY208		1180	52.9	IP55 • ISO F • bimetal		
03	11.0	Δ200/Y350	IE3	985	45.9/26.5	13.2	Δ220/Y380–400	IE3	1185	49.0/28.3–27.2	UL(E235514) • CSA CC329B	163.0	1470 [57.9]
							Δ200/Y350		1177	52.8/30.5	IP55 • ISO F • bimetal		
04						13.2	Δ400/Y690	IE3	1185	27.8/15.9	UL(E235514) • CSA CC329B IP55 • ISO F • bimetal	166.0	1477 [58.2]

▪ Current consumption and rotation speed may vary. Tolerance in each case -1.5/+2%



Reference data (atmosphere): 1000 mbar (100 kPa), 20°C (68°F)  
 Tolerance: ±5%

## **+** VARIANTS AND ACCESSORIES

### **VXLF 2.500**

#### **SERIES X: BECKER INNOVATION WITH TOP WARRANTY**

Equipped with specially developed vanes, these oil-free rotary vane pumps distinguish themselves by high abrasion resistance, and with that extremely long service lives. Due to the low wear there is also minimal dust, so the series X pumps are perfectly suited for precision processes under clean room conditions.

This innovation branded by Becker is outstanding not only because of its 100 percent oil-free operation, excellent degree of efficiency and low power consumption.

In the area of sensitive vacuum, series X also guarantees precise low-pulsation air conduction.

Becker guarantees for these pumps a vane life-time of 20,000 operating hours or a maximum of 3 years. The enhanced longevity of X series pumps also extends service life intervals, and can cut out the need for frequent service visits with costly pump failures now no longer an issue.



#### **ADVANTAGES**

- Quick, clean and quiet
- Oil-free
- Wear resistant
- Energy saving
- Long-life reliability

### **OTHER VARIANTS AND ACCESSORIES**

- **VARIAIR VTLF 2.500/0-400** with frequency inverter<sup>1)</sup>
- Integrated non return valve
- Increased corrosion protection
- External suction filter<sup>1)</sup>
- Sound proof box SH 12<sup>1)</sup>



VARIAIR VTLF 2.500/0-400



Example for an external suction filter



Sound proof box SH 12

<sup>1)</sup> See separate data sheet

- Possible combinations on request



**MAKE IT BECKER.**