

DATA SHEET

SV 200/1

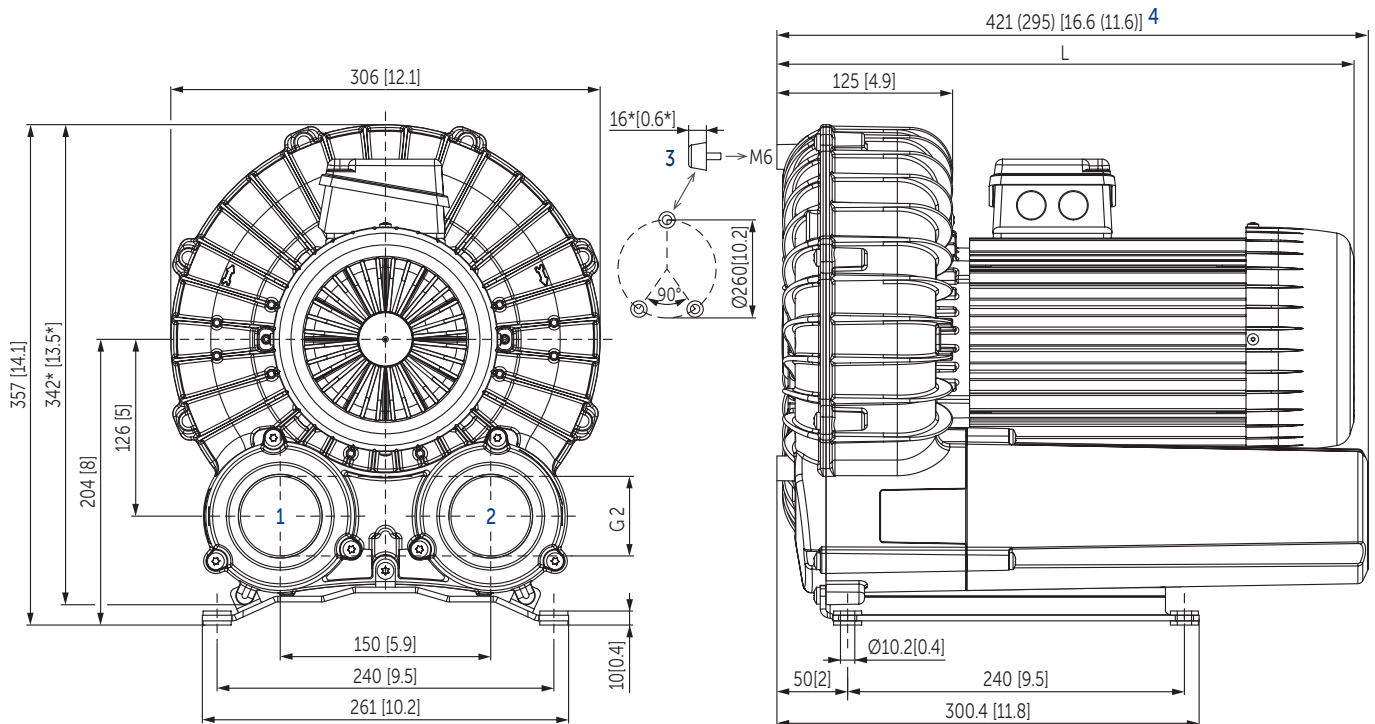
SIDE CHANNEL VACUUM PUMPS

single stage

air-cooled

MAKE IT BECKER.





- 1 Vacuum connection (G2)
- 2 Pressure connection (G2)
- 3 Optional vibration dampers (rubber buffer) for vertical installation
- 4 Optional with shorter silencers
- * Device dimensions without pedestal under the silencer, with rubber buffers on the enclosure cover
- The motor illustration may vary
- Dimensions in mm [inch]

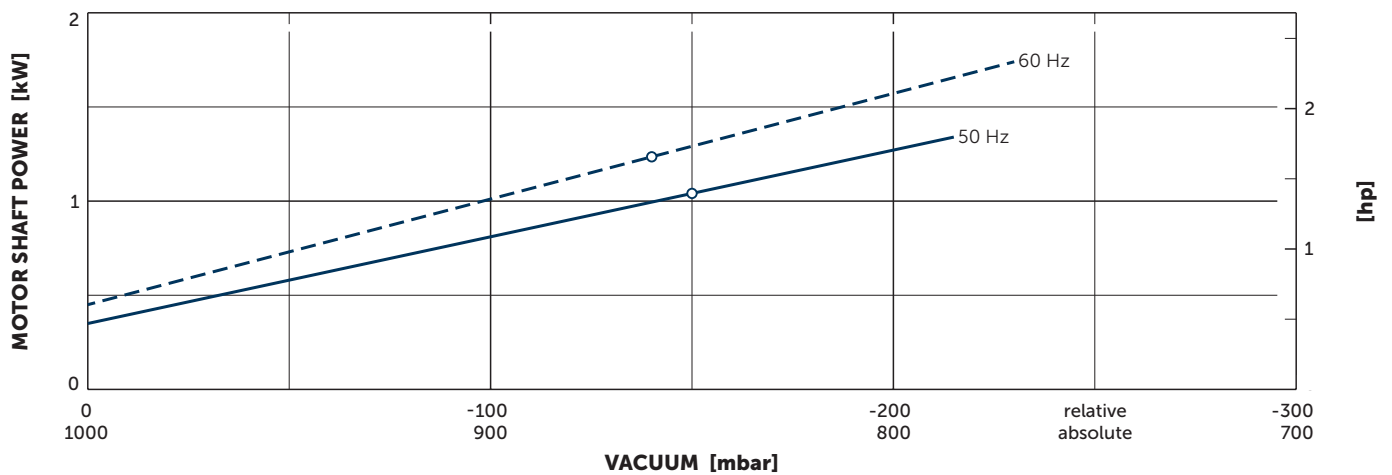
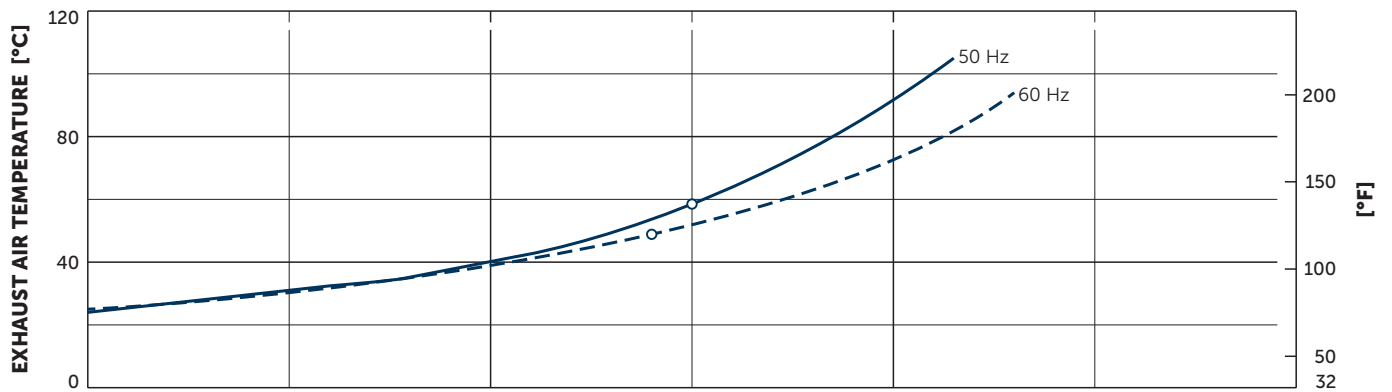
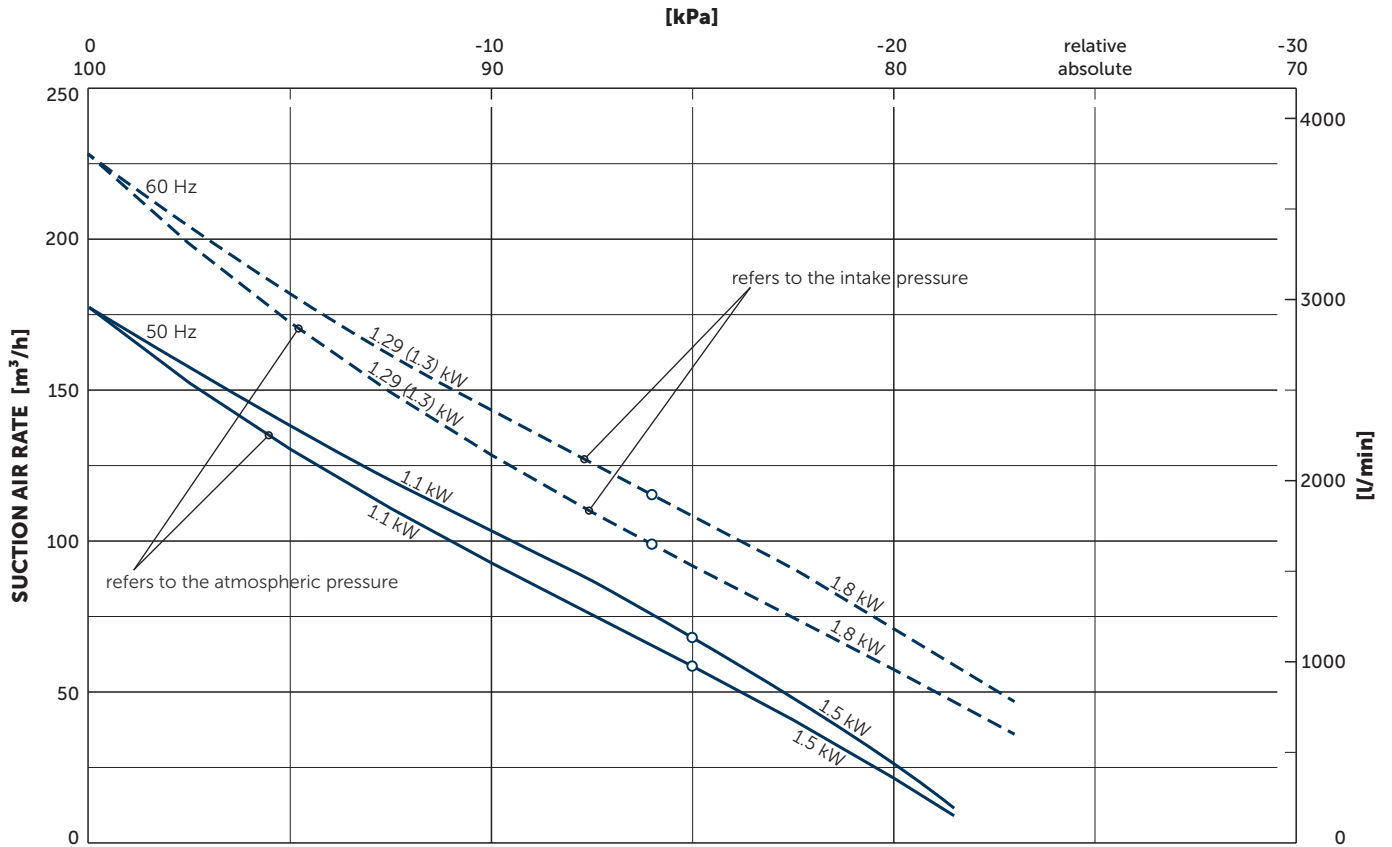
| Suction air rate | | Vacuum relative | | Motors | | Emission sound pressure level ¹⁾ | | Weight with motor |
|-------------------|-------|-----------------|-------|--------|----------|---|---------------------|-------------------|
| m ³ /h | | mbar | | kW | | dB(A) | | kg |
| 50 Hz | 60 Hz | 50 Hz | 60 Hz | 50 Hz | 60 Hz | 50 Hz | 60 Hz | |
| 180 | 230 | -150 | -140 | 1.1 | 1.29/1.3 | 63.9 (-145 mbar) | 69.2 (-165 mbar) | 25.5 |
| 180 | 230 | -215 | -230 | 1.5 | 1.8 | 63.9 (-145 mbar) | 69.2 (-165 mbar) | 28.5 |

¹⁾ According to DIN EN ISO 11203, accuracy class of measurement: class 2, extended measurement uncertainty: 3 dB
1 m [39.4 inch] distance, at medium load, both connection sides piped

| 3~ Motors | | | | | | | | | | | | L |
|-----------|-------|-----------|-----|------|---------|------|----------------------------|----------|--------------|------------------------|--|---------------|
| # | 50 Hz | | | | 60 Hz | | | | Version | mm [inch] | | |
| | kW | V | rpm | A | kW | V | rpm | A | | | | |
| 01 | 1.1 | Δ230/Y400 | IE3 | 2870 | 4.3/2.5 | 1.29 | Δ265/Y460 Δ230/Y400 | IE3 | 3460 3395 | 4.3/2.5 4.7/2.7 | UL • CSA IP55 • ISO F • bimetal | 391 [15.4] |
| 02 | | | | | | 1.3 | YY230/Y460 YY208/Y – | IE3 – | 3465 3430 | 4.8/2.4 5.05/ – | UL(E235514) • CSA • CC329B IP55 • ISO F • bimetal | 427 [16.8] |
| 03 | 1.1 | Δ200/Y350 | IE3 | 2875 | 5.0/2.9 | 1.29 | Δ220/Y380–400 Δ200/Y350 | IE3 | 3462 3405 | 5.0/2.9–3.0 5.2/3.0 | IP55 • ISO F • bimetal | 391 [15.4] |
| 04 | 1.5 | Δ230/Y400 | IE3 | 2900 | 6.6/3.8 | 1.8 | Δ265/Y460 Δ230/Y400 | IE3 | 3490 3450 | 6.4/3.7 6.5/3.8 | UL • CSA IP55 • ISO F • bimetal | 431 [17.0] |
| 05 | | | | | | 1.8 | YY230/Y460 YY208/Y – | IE3 | 3490 3470 | 6.9/3.45 6.85/ – | UL(E235514) • CSA • CC329B IP55 • ISO F • bimetal | 427 [16.8] |
| 06 | 1.5 | Δ200/Y350 | IE3 | 2905 | 7.4/4.3 | 1.8 | Δ220/Y380–400 Δ200/Y350 | IE3 | 3480 3450 | 7.2/4.3–4.2 7.2/4.2 | IP55 • ISO F • bimetal | 431 [17.0] |

| 1~ Motors | | | | | | | | | | | | L |
|-----------|-------|----------|-----|------|-------|-----|----------|---|---------|--------------|------------------------------------|---------------|
| # | 50 Hz | | | | 60 Hz | | | | Version | mm [inch] | | |
| | kW | V | rpm | A | kW | V | rpm | A | | | | |
| 01 | 1.1 | 230 ±10% | | 2855 | 6.7 | 1.3 | 230 ±10% | | 3375 | 7.9 | UL • CSA IP55 • ISO F • bimetal | 391 [15.4] |
| 02 | 1.5 | 230 ±10% | | 2860 | 8.9 | 1.8 | 230 ±10% | | 3350 | 11.0 | UL • CSA IP55 • ISO F • bimetal | 431 [17.0] |

• Current consumption and rotation speed may vary. Tolerance in each case -1.5/+2%



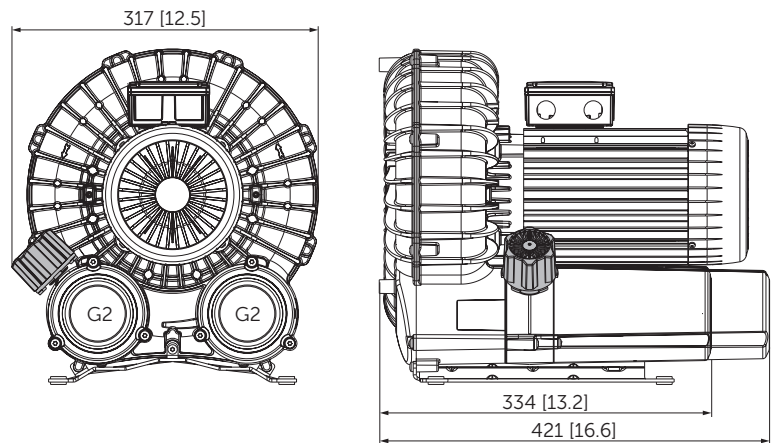
Reference data (atmosphere): 1000 mbar (100 kPa), 20°C (68°F)

Tolerance: ±10%

Temperature: Inlet air 0°C ... 40°C (32°F ... 104°F), Ambient air 3~ -10°C ... 40°C (14°F ... 104°F), Ambient air 1~ 15°C ... 40°C (59°F ... 104°F)

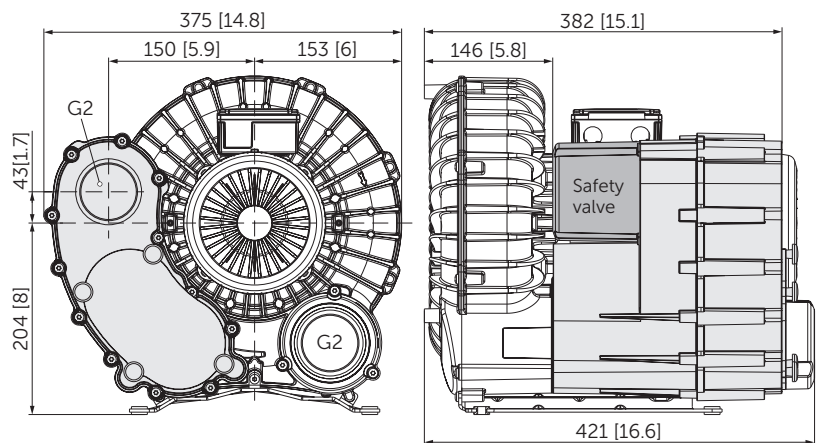
+ VARIANTS AND ACCESSORIES

VACUUM SAFETY VALVE



SUCTION FILTER

- Vacuum-sealed filter housing
- Paper or polyester insert
- Can be combined with vacuum safety valve



OTHER VARIANTS AND ACCESSORIES

- Without pedestal under the silencers, with rubber buffers on the enclosure cover
- Vacuum/pressure connection G1½ instead G2
- Short or long silencers
- Increased corrosion protection
- External suction filter
- Sound proof box SH 18¹⁾



Sound proof box SH 18

¹⁾ See separate data sheet

- Dimensions in mm [inch] – For other dimensions, see the figure on page 2.
- Possible combinations on request



MAKE IT BECKER.