

DATA SHEET

**KVX 3.60**

# ROTARY VANE VACUUM PUMPS

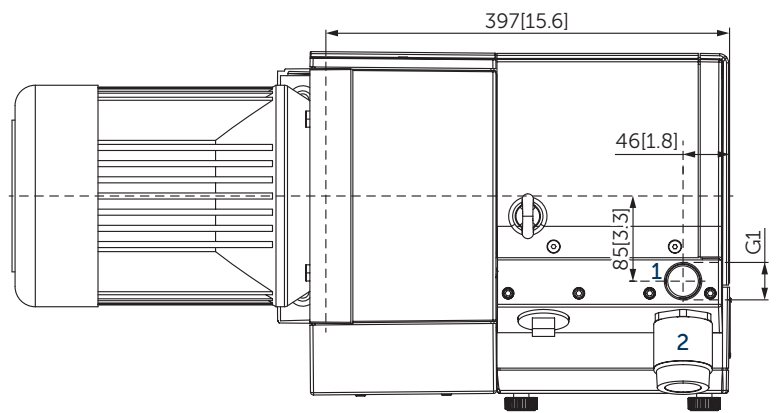
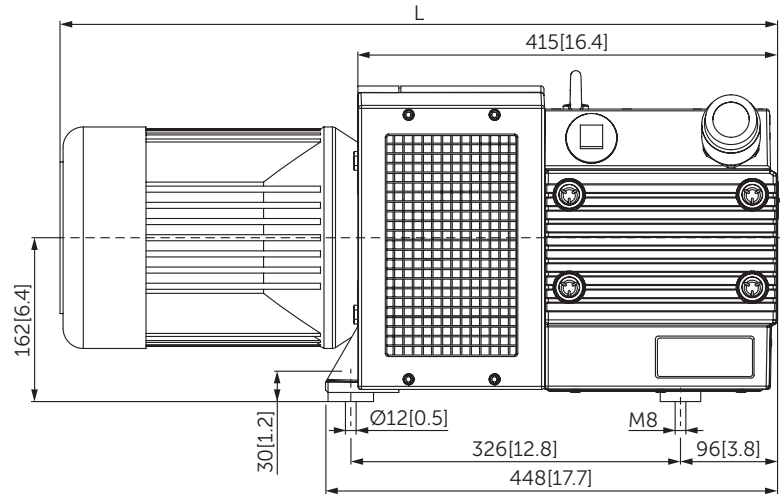
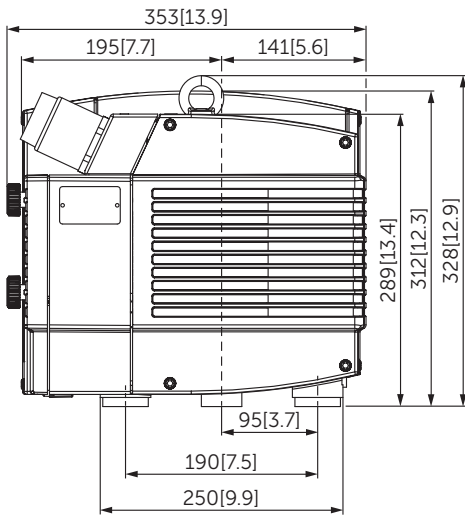
oil-free

air-cooled

---

**MAKE IT BECKER.**





- 1 Vacuum connection (G1)
- 2 Vacuum regulating valve
- Including integrated suction air filter and blow-off valve
- The motor illustration may vary.
- Dimensions in mm [inch]

| Suction air rate  |       | Vacuum absolute |       | Emission sound pressure level <sup>1)</sup> |       | Weight w/o motor |
|-------------------|-------|-----------------|-------|---|-------|------------------|
| m <sup>3</sup> /h |       | mbar            |       | dB(A)                                       |       | kg               |
| 50 Hz             | 60 Hz | 50 Hz           | 60 Hz | 50 Hz                                       | 60 Hz |                  |
| 55                | 66    | 100             | 100   | 71  | 73    | 47               |

<sup>1)</sup> According to DIN EN ISO 3744 (KpA = 3 dB(A)), 1 m [39.4 inch] distance, at medium load, both connection sides piped

| 3~ Motors |       |           |                   |      |          |       |                   |     |      |              |   | L            |               |
|-----------|-------|-----------|-------------------|------|----------|-------|-------------------|-----|------|--------------|---|--------------|---------------|
| #         | 50 Hz |           |                   |      |          | 60 Hz |                   |     |      | Version      | Weight<br>kg  | mm<br>[inch] |               |
|           | kW    | V         | min <sup>-1</sup> | A    | kW       | V     | min <sup>-1</sup> | A   |      |              |   |              |               |
| 01        | 2.2   | Δ230/Y400 | IE3               | 1440 | 8.2/4.8  | 2.6   | Δ265/Y460         | IE3 | 1735 | 8.2/4.8      | IP55 • ISO F • bimetal                                | 29           | 704<br>[27.7] |
|           |       |           |                   |      |          |       | Δ230/Y400         |     | 1705 | 9.0/5.2      |   |              |               |
| 02        |       |           |                   |      |          | 2.6   | YY230/Y460        | IE3 | 1763 | 9.3/4.6      | UL(E365362) • CSA<br>CC334B<br>IP55 • ISO F • bimetal | 37           | 747<br>[29.4] |
|           |       |           |                   |      |          |       | YY208             |     | 1754 | 9.7          |   |              |               |
| 03        | 2.2   | Δ200/Y350 | IE3               | 1470 | 10.4/6.0 | 2.6   | Δ220/Y380-400     | IE3 | 1760 | 10.0/5.8–5.8 | UL(E365362) • CSA<br>CC334B<br>IP55 • ISO F • bimetal | 37           | 747<br>[29.4] |
|           |       |           |                   |      |          |       | Δ200/Y350         |     | 1755 | 10.2/5.9     |   |              |               |
| 04        |       |           |                   |      |          | 2.6   | Δ400/Y690         | IE3 | 1760 | 5.3/3.1      | UL(E365362) • CSA<br>CC334B<br>IP55 • ISO F • bimetal | 37           | 747<br>[29.4] |

- Current consumption and rotation speed may vary. Tolerance in each case -1.5/+2%

#### SERIES X: BECKER INNOVATION WITH TOP WARRANTY

Equipped with specially developed vanes, these oil-free rotary vane pumps distinguish themselves by high abrasion resistance, and with that extremely long service lives. Due to the low wear there is also minimal dust, so the series X pumps are perfectly suited for precision processes under clean room conditions.

This innovation branded by Becker is outstanding not only because of its 100 percent oil-free operation, excellent degree of efficiency and low power consumption.

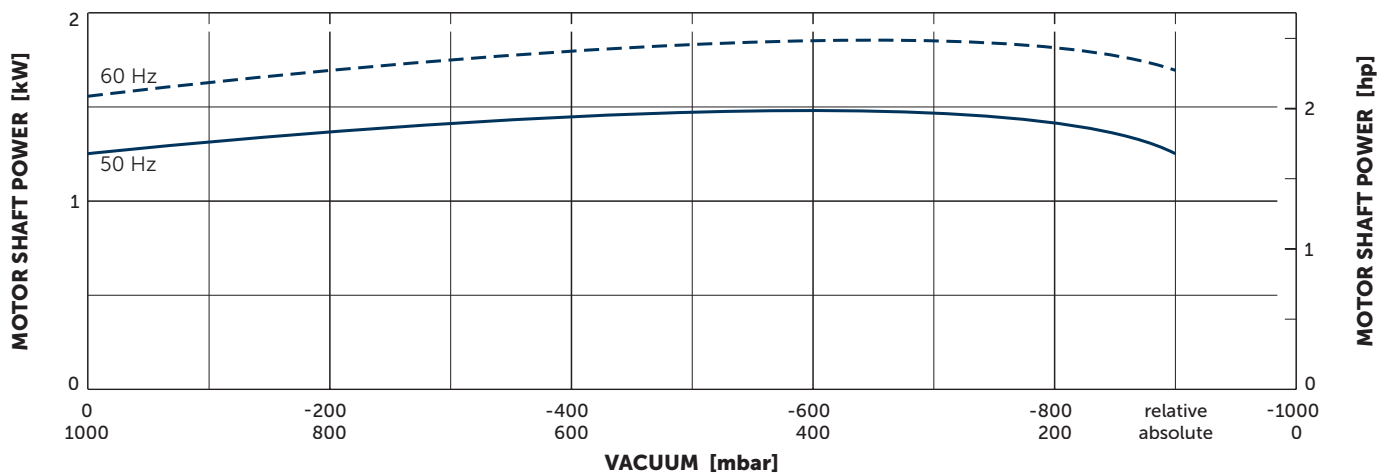
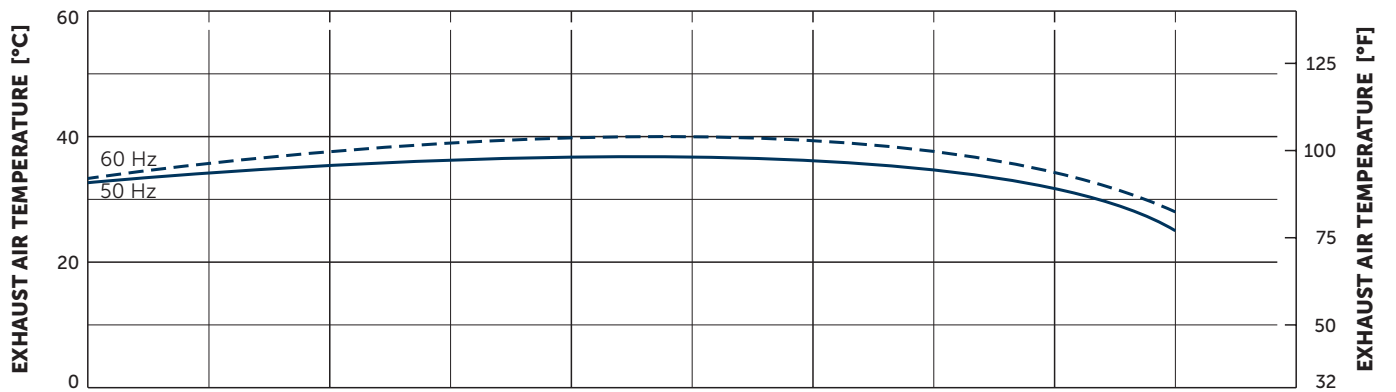
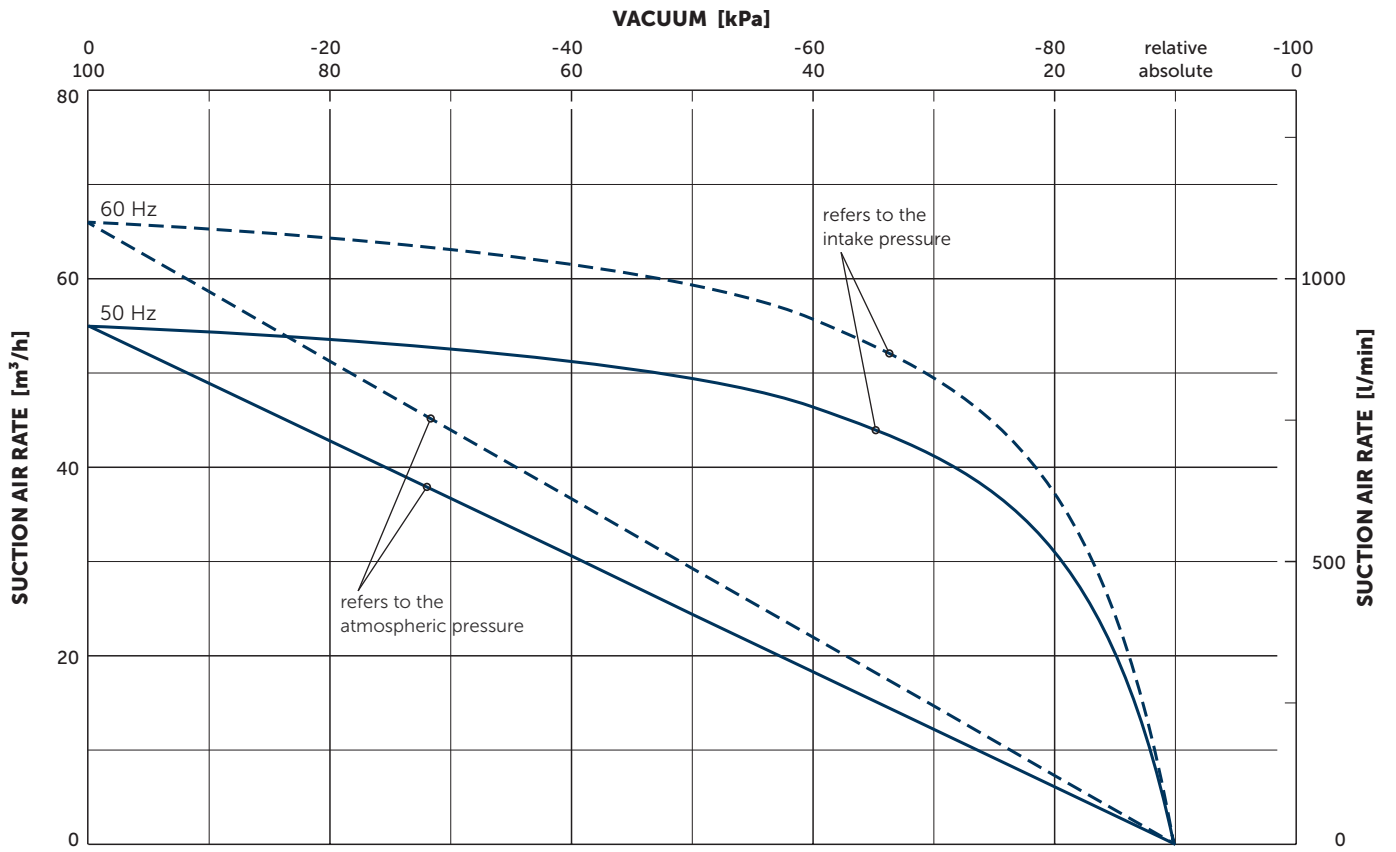
In the area of sensitive vacuum, series X also guarantees precise low-pulsation air conduction.

Becker guarantees for these pumps a vane life-time of 20,000 operating hours or a maximum of 3 years. The enhanced longevity of X series pumps also extends service life intervals, and can cut out the need for frequent service visits with costly pump failures now no longer an issue.



#### ADVANTAGES

- Quick, clean and quiet
- Oil-free
- Wear resistant
- Energy saving
- Long-life reliability

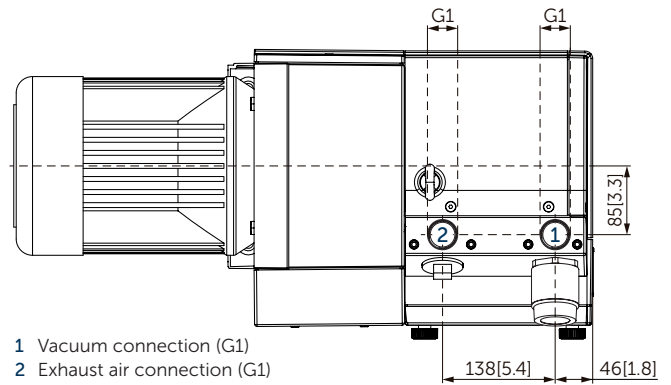


Reference data (atmosphere): 1000 mbar (100 kPa), 20°C (68°F)  
 Tolerance: ±5%

## + VARIANTS AND ACCESSORIES

### OTHER VARIANTS AND ACCESSORIES

- **KVX 3.60/0-54** with exhaust connection
- External suction filter <sup>1)</sup>
- Sound proof box SH 13 <sup>1)</sup>



Example for an external suction filter



Sound proof box SH 13

<sup>1)</sup> See separate data sheet

- Possible combinations on request



**MAKE IT BECKER.**