

DATA SHEET

VARIAIR U 5.201

ROTARY VANE- VACUUM PUMPS

oil-lubricated and air-cooled
frequency inverter

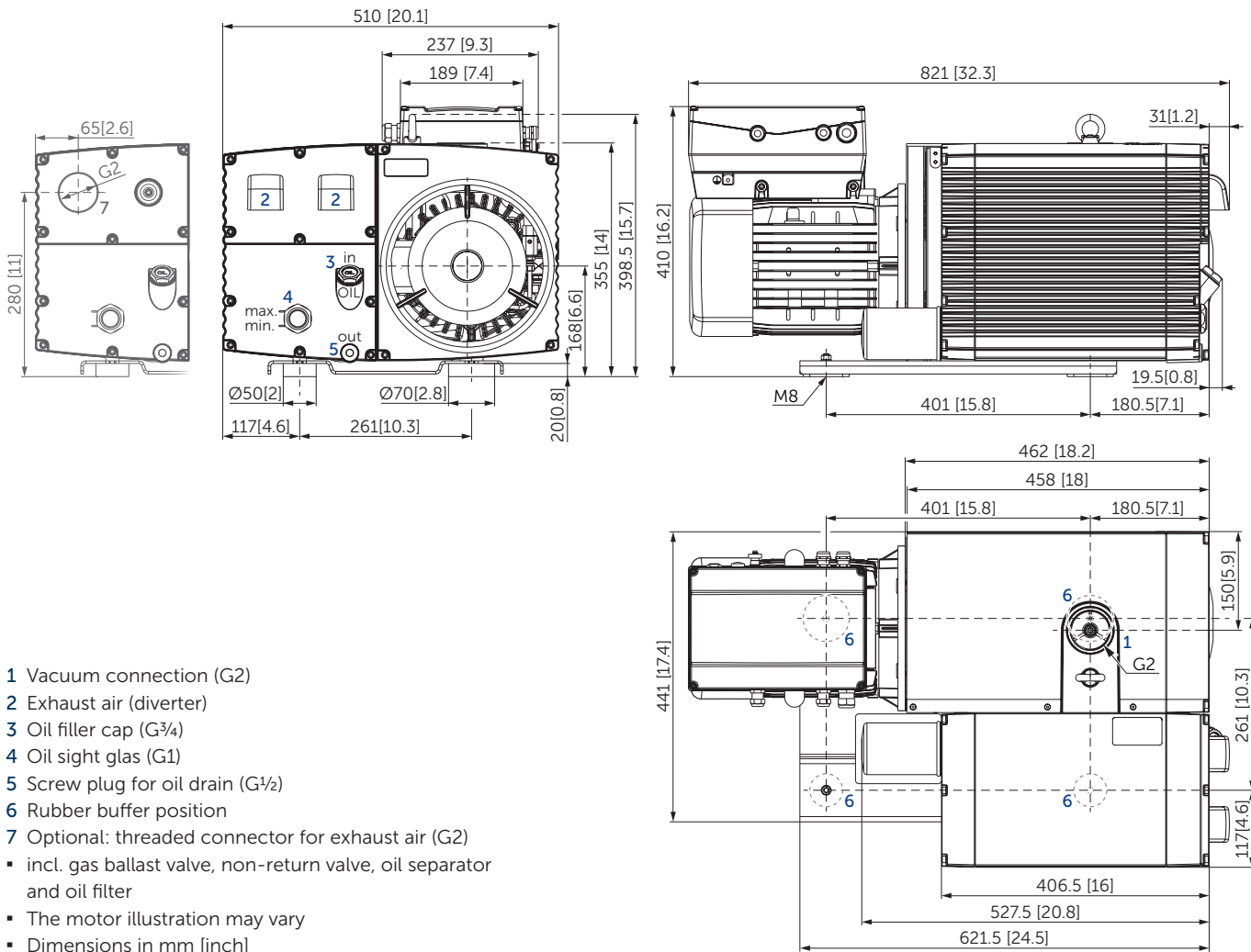
MAKE IT BECKER.



figure VARIAIR U 5.101

VARIAIR
UNIT

 **BECKER**



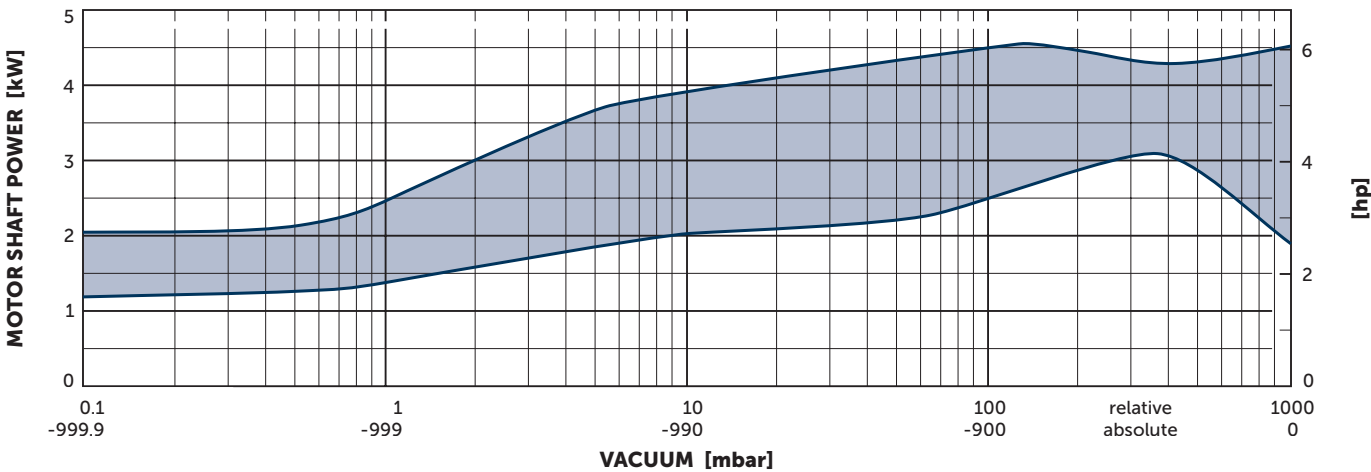
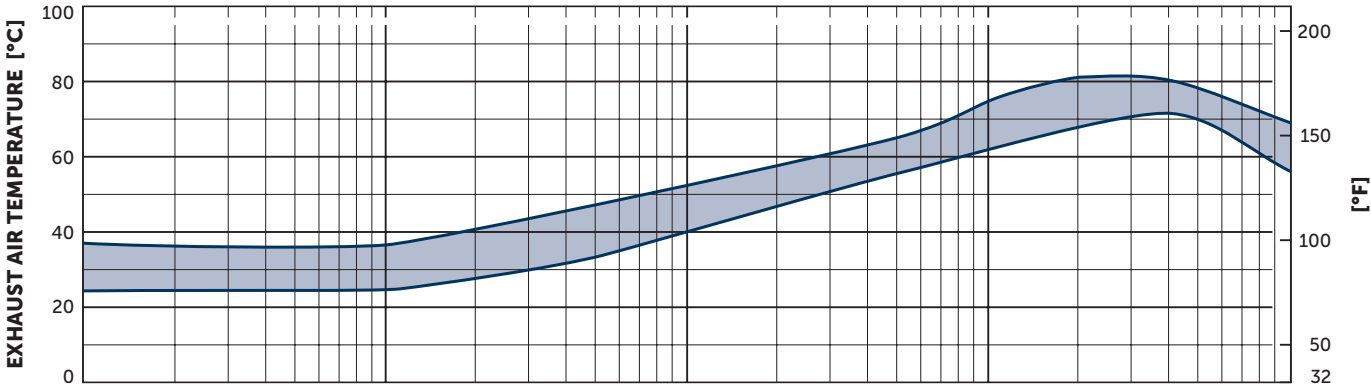
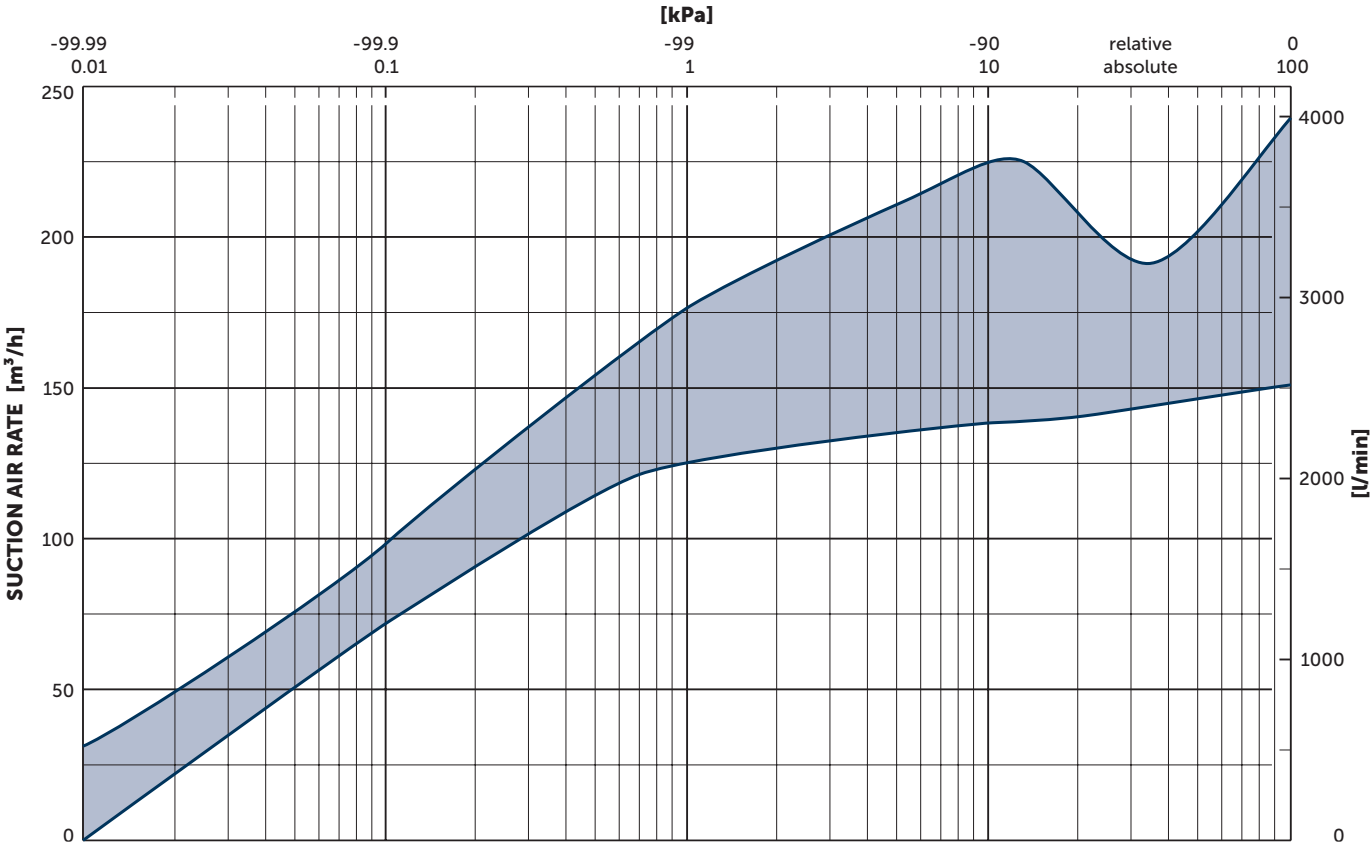
| Nominal capacity | Vacuum absolute for continuous operation | Frequency | Emission sound pressure level ¹⁾ | | Weight | Oil ²⁾ | | |
|---------------------------|--|-----------|---|-------|--------|-------------------|--------------------------------------|----|
| | | | 50 Hz | 60 Hz | | | | |
| m ³ /h max. | mbar max. | Hz | | | kg | l | Frequency inverter VAU4/4 | |
| 240 | 0.1 | 40–65 | 72 | 74 | 107 | 5.0 | 4.0 kW 400–480 V ±10% 50/60 Hz | 16 |

¹⁾ According to DIN EN ISO 11203, accuracy class of measurement: class 2, extended measurement uncertainty: 3 dB

1 m [39.4 inch] distance, at medium load, both connection sides piped

²⁾ Becker Lube M100 mineral • S100 synthetic • SL100 food

Gas ballast valve: vacuum 1.0 mbar absolute with opened gas ballast valve; water vapour tolerance max. 7 mbar; water vapour capacity max. 0.3 l/h (at 85°C operating temperature)



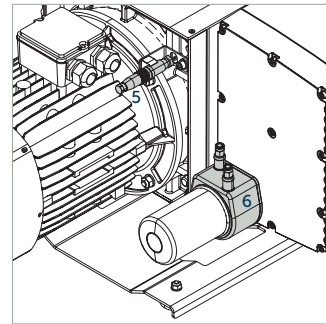
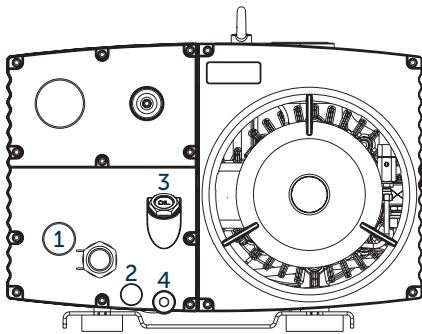
Suction air rate refers to the intake pressure
 Reference data (atmosphere): 1000 mbar (100 kPa), 20°C (68°F)
 Tolerance: ±10%

+ VARIANTS AND ACCESSORIES

- Optional **GAS BALLAST VALVE** for increased water vapour tolerance (3.0 mbar absolute)
water vapour tolerance: max. 50 mbar; water vapour capacity: max. 2 l/h (at 85°C operating temperature)
- **THREADED CONNECTOR** for exhaust air (G2)

ACCESSORIES

- External suction filter¹⁾
- Oil: Becker Lube M100 mineral, S100 synthetic and SL100 food



- 1 Oil level switch¹⁾ (G1)
- 2 Oil temperature monitor¹⁾ (G $\frac{1}{2}$)
- 3 Maintenance indicator¹⁾ (G $\frac{3}{4}$) for oil separating elements
- 4 Ball valve (G $\frac{1}{2}$), with locking and hose connector 19 mm (0.75 inch)
- 5 Temperature sensor PT100
- 6 Water cooler U5.200-0-114.2¹⁾ with connectors for hoses with an external diameter of 8 mm (0.32 inch)



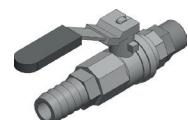
Oil level switch



Oil temperature monitor



Maintenance indicator



Ball valve

¹⁾ See separate data sheet

- Combination options on request



MAKE IT BECKER.