


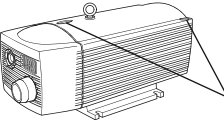








BETRIEBSANLEITUNG  
OPERATING INSTRUCTIONS  
INSTRUCCIONES DE SERVICE  
ISTRUZIONI D'USO  
HANDLEIDING  
INSTRUCCIONES PARA EL MANEJO  
MANUAL DE INSTRUÇÕES  
NAUDOJIMOSI INSTRUKCIJA  
KASUTUSJUHEND  
LIETOŠANAS INSTRUKCIJA  
DRIFTSINSTRUKS  
DRIFTSINSTRUKTIONER  
DRIFTSVEJLEDNING  
INSTRUKCJA OBSŁUGI

KEZELÉSI ÚTMUTATÓ  
NÁVOD K OBSLUZE  
NAVODILO ZA UPORABO  
NÁVOD NA OBSLUHU  
UPUTE ZA RAD  
MANUAL DE OPERATII  
TREORACHA OIBRIÚCHÁIN  
ΟΔΗΓΙΕΣ ΧΡΗΣΗΣ  
EL KITABI  
ИНСТРУКЦИИ ЗА ЕКСПЛОАТАЦИЯ  
ИНСТРУКЦИЯ ПО ЕКСПЛОАТАЦИИ  
取扱説明書  
사용설명서  
使用说明书


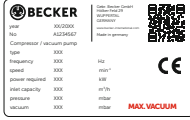


## DX 4.40K

MAKE IT BECKER.

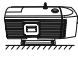


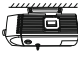




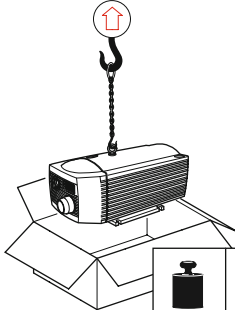





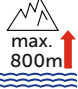
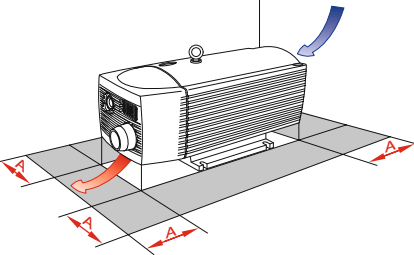
1

 <p><b>MAX. PRESSURE</b></p>	 <p>mbar</p>
 <p><b>MAX.</b></p>	 <p>m<sup>3</sup>/h</p>
<p><b>L<sub>PA</sub></b> )))</p> <p>DIN EN ISO 11203 Accuracy Class 2 K<sub>PA</sub> = 3 dB(A) l ← 1m</p>	<p>L<sub>pA</sub> = 67 dB(A) - 50Hz L<sub>pA</sub> = 70 dB(A) - 60Hz</p>

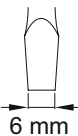
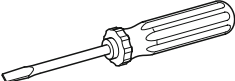
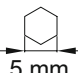
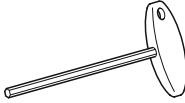
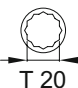
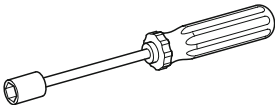
2

			
			
			
			 <p>46,0 kg 101,5 lbs</p>

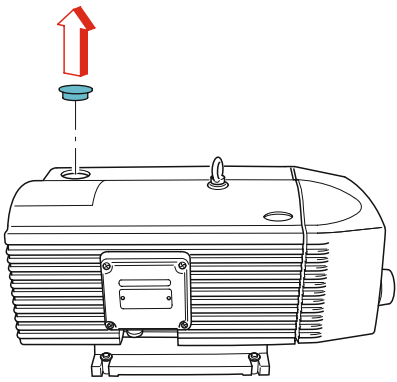
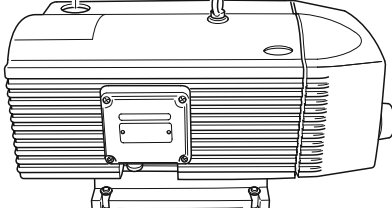
3

<p>A &gt; 100mm A &gt; 4"</p>	 <p>&gt; 5°C/41°F &lt; 45°C/113°F</p>	 <p>max. 90%</p>	 <p>max. 800m ↑</p>
			

4

 <p>6 mm</p>	
 <p>5 mm</p>	
 <p>T 20</p>	

5

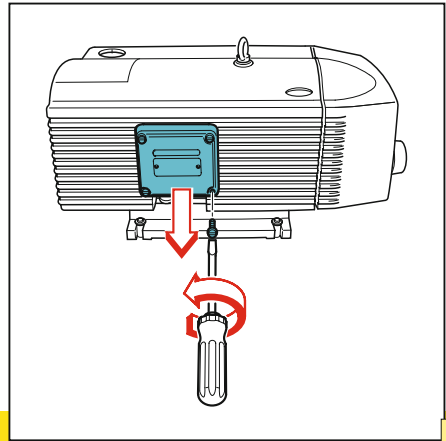



6

**MOTOR-PROTECTION** = SERVICE FACTOR X RATED CURRENT

(F 1.3X)	
50Hz	60Hz
XXX / 200X V	XXX / 200X V
XXX / 20X A	XXX / 20X A

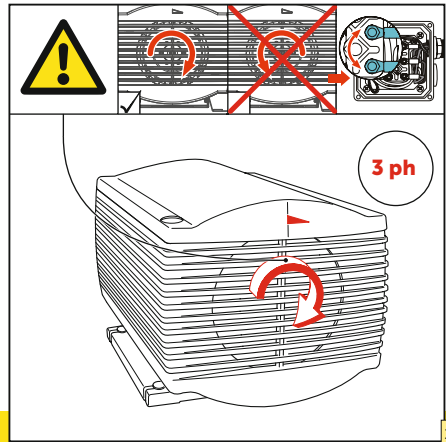
7



8

**3 ph**

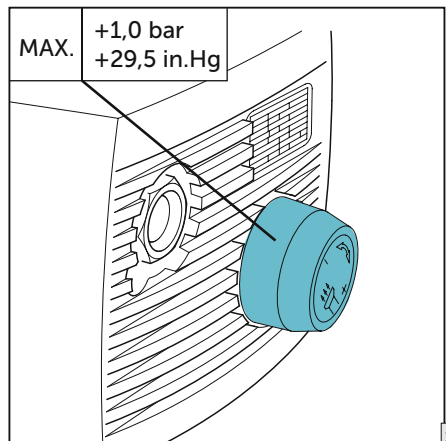
9



10

**PRESSURE**

11



12

**Maintenance**




**n=0min<sup>-1</sup>**

13

14

3x	<b>A</b> <input checked="" type="checkbox"/>	<b>6.2Nm</b>
2x	<b>-X</b> <input type="checkbox"/>	<b>2Nm</b>

15

1.

F2  
F1

2.

16

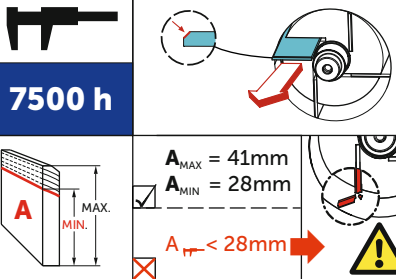
F1: D: 64 mm  
H: 70 mm  
No.: 90950501000

F2: D: 64 mm  
H: 60 mm  
No.: 90952900000

**EN149 - FFP3**  
42 CFR 84 - N100


17


18



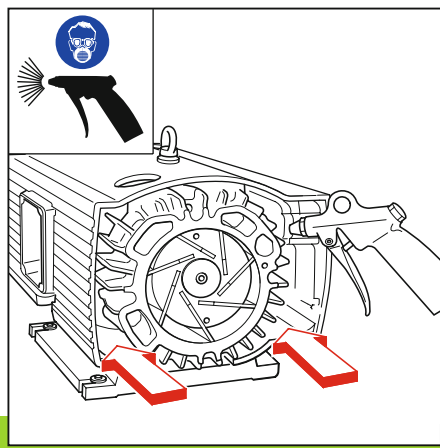
**7500 h**

$A_{MAX} = 41mm$   
 $A_{MIN} = 28mm$

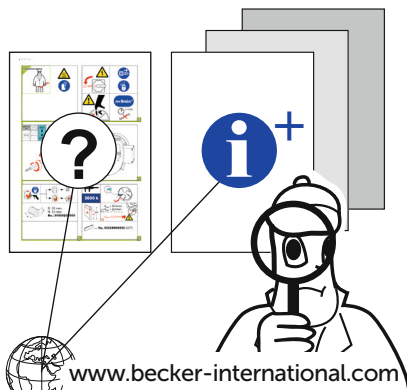
$A_{T} < 28mm$  

 → No. 90140900007 (SET)

19



20



[www.becker-international.com](http://www.becker-international.com)

21



[WWW.BECKER-INTERNATIONAL-SHOP.COM](http://WWW.BECKER-INTERNATIONAL-SHOP.COM)

Gebr. Becker GmbH  
 Hoelker Feld 29-31  
 42279 WUPPERTAL  
 GERMANY  
[info@becker-international.com](mailto:info@becker-international.com)  
[www.becker-international.com](http://www.becker-international.com)

 **BECKER**



28.10.0050401 | 2020-12-17 | All rights reserved

**MAKE IT BECKER.**