


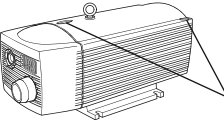


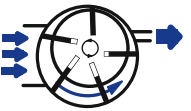





BETRIEBSANLEITUNG
OPERATING INSTRUCTIONS
INSTRUCCIONES DE SERVICE
ISTRUZIONI D'USO
HANDLEIDING
INSTRUCCIONES PARA EL MANEJO
MANUAL DE INSTRUÇÕES
NAUDOJIMOSI INSTRUKCIJA
KASUTUSJUHEND
LIETOŠANAS INSTRUKCIJA
DRIFTSINSTRUKS
DRIFTSINSTRUKTIONER
DRIFTSVEJLEDNING
INSTRUKCJA OBSŁUGI

KEZELÉSI ÚTMUTATÓ
NÁVOD K OBSLUZE
NAVODILO ZA UPORABO
NÁVOD NA OBSLUHU
UPUTE ZA RAD
MANUAL DE OPERATII
TREORACHA OIBRIÚCHÁIN
ΟΔΗΓΙΕΣ ΧΡΗΣΗΣ
EL KITABI
ИНСТРУКЦИИ ЗА ЕКСПЛОАТАЦИЯ
ИНСТРУКЦИЯ ПО ЕКСПЛУАТАЦИИ
取扱説明書
사용설명서
使用说明书


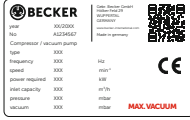


DX 4.25K

MAKE IT BECKER.

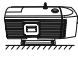


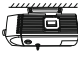






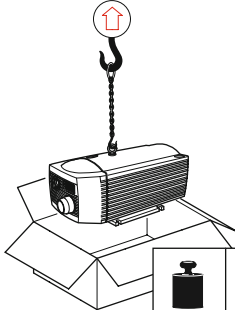
 	
	
	
	
	
	


1

 <p>MAX. PRESSURE</p>	 <p>mbar</p>
 <p>MAX.</p>	 <p>m³/h</p>
<p>L_{pA})))</p> <p>DIN EN ISO 11203 Accuracy Class 2 K_{pA} = 3 dB(A) l ← 1m</p>	<p>L_{pA} = 65 dB(A) - 50Hz L_{pA} = 68 dB(A) - 60Hz</p>

2



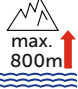
			
			

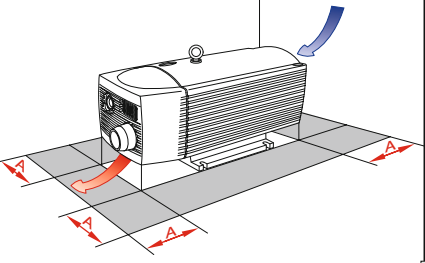




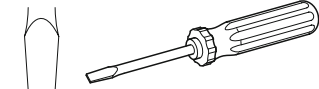
36,5 kg
80,5 lbs

3

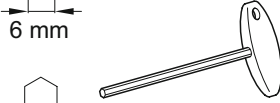
<p>A > 100mm A > 4"</p>	 <p>> 5°C/41°F < 45°C/113°F</p>	 <p>max. 90%</p>	 <p>max. 800m ↑</p>
-----------------------------------	--	---	---



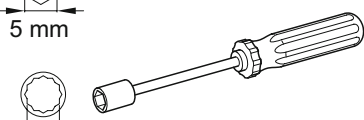
4



6 mm

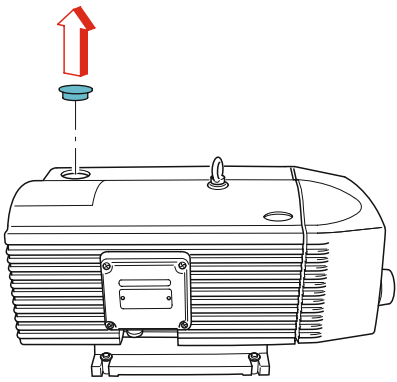


5 mm



T 20

5



6

MOTOR-PROTECTION =

(CF 1,XX)	
50Hz	60Hz
XXX / 2000 V	XXX / 2000 V
(XX / XX X)	(XX / XX X)

SERVICE FACTOR X RATED CURRENT

7

8

3 ph

9

3 ph

10

PRESSURE

0 2 10 [m]

11

MAX.

+1,0 bar
+29,5 in.Hg

12

Maintenance




n=0min⁻¹



13

14

3x	A <input checked="" type="checkbox"/>	6.2Nm
2x	-X <input type="checkbox"/>	2Nm

15

1.

F2
F1

2.

16

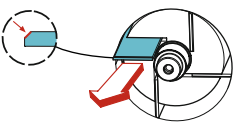
F1: D: 64 mm
H: 70 mm
No.: 90950501000

F2: D: 64 mm
H: 60 mm
No.: 90952900000

EN149 - FFP3
42 CFR 84 - N100


17

18



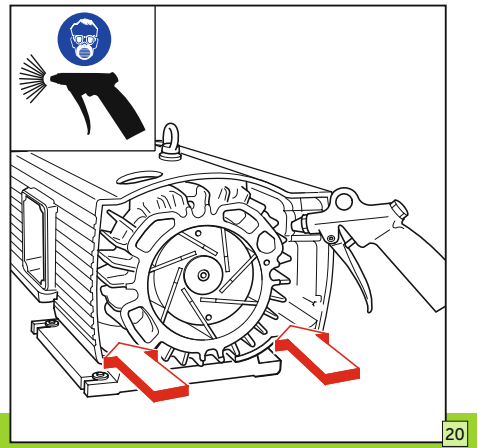

7500 h

$A_{MAX} = 41mm$
 $A_{MIN} = 28mm$

$A_{T} < 28mm$ → 

→ No. 9014100007 (SET)

19

www.becker-international.com

21



WWW.BECKER-INTERNATIONAL-SHOP.COM

Gebr. Becker GmbH
 Hoelker Feld 29-31
 42279 WUPPERTAL
 GERMANY
info@becker-international.com
www.becker-international.com





MAKE IT BECKER.

28100050301 | 2020-12-16 | All rights reserved