

Betriebsanleitung  
 Operating Instructions  
 Instructions de service  
 Istruzioni d'uso  
 Handleiding  
 Instrucciones para el manejo  
 Manual de instruções  
 Naudojimosi instrukcija  
 Kasutusjuhend  
 Lietošanas instrukcija  
 Driftsinstruks  
 Driftsinstruktioner  
 Käyttöohje  
 Driftsvejledning  
 Instrukcja obsługi

Kezelési útmutató  
 Návod k obsluze  
 Navodilo za uporabo  
 Návod na obsluhu  
 Upute za rad  
 Manual de operatii  
 Treoracha Oibriúcháin  
 Οδηγίες χρήσης  
 El Kitabi  
 Инструкции за експлоатация  
 Инструкция по эксплуатации  
 取扱説明書  
 사용설명서  
 使用说明书

**DTLF 2.250/X-4XX**



**DXLF 2.250/0-4XX**

2006/42/EG

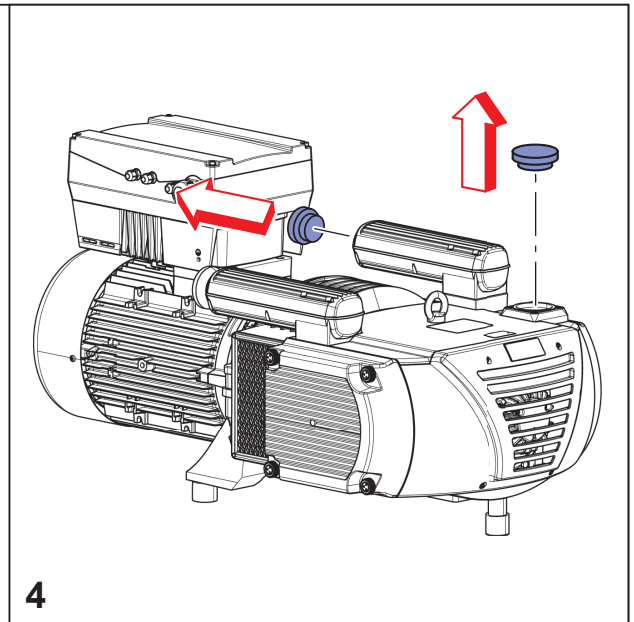
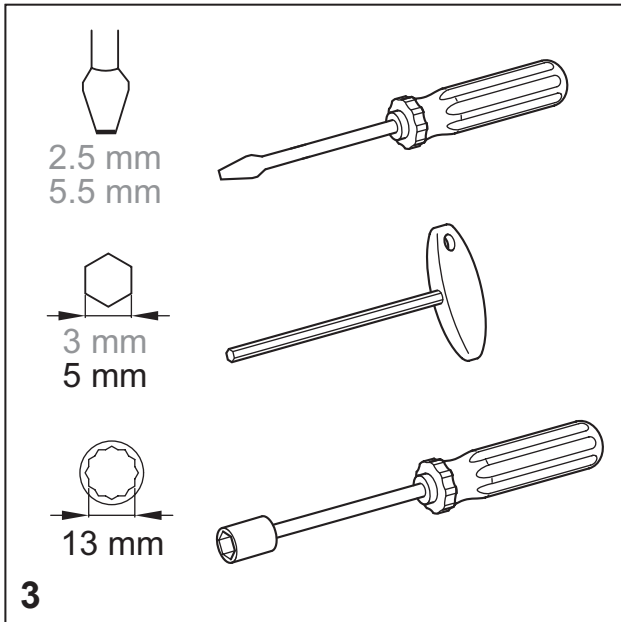


DIN EN ISO 14001:2005

DIN EN ISO 9001  
001929 QM

		<p><b>MAX. PRESSURE</b></p>	<p>mbar</p>
			<p><b>MAX.</b></p>
<p><b>AIR</b></p>		<p>DTLF 2.250/0-4XX DXLF 2.250/0-4XX</p>	<p>DIN EN ISO 3744</p> <p><math>L_{pA} = 76.7 \text{ dB(A)}</math></p> <p><math>K_{pA} = 3 \text{ dB(A)}</math></p>

<p>310 kg 684 lbs</p>	<p>A &gt; 400mm A &gt; 16"</p>	<p>&gt; 5°C/41°F &lt; 45°C/113°F</p>	<p>max. 90%</p>	<p>max. 800m</p>
<p>1</p>	<p>2</p>			



L1 L2 L3

L1 L2 L3

3~ 3~

U V W

M 3~

\*) Circuit breaker  
VAU 11-22/3 → C 35

VAU 4/4  
VAU(w) 7.5/3  
VAU 11-22/3

5

**BECKER**

Ser.-Nr.: .....

Input: .....V

..... Hz

Output: 3~.....

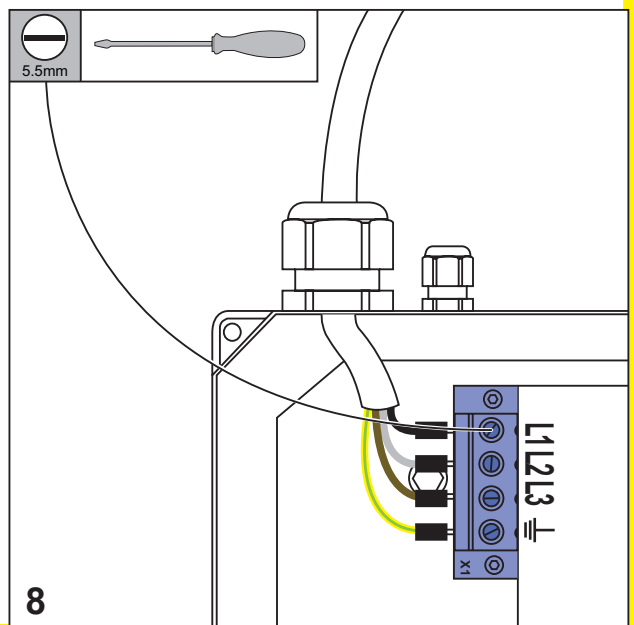
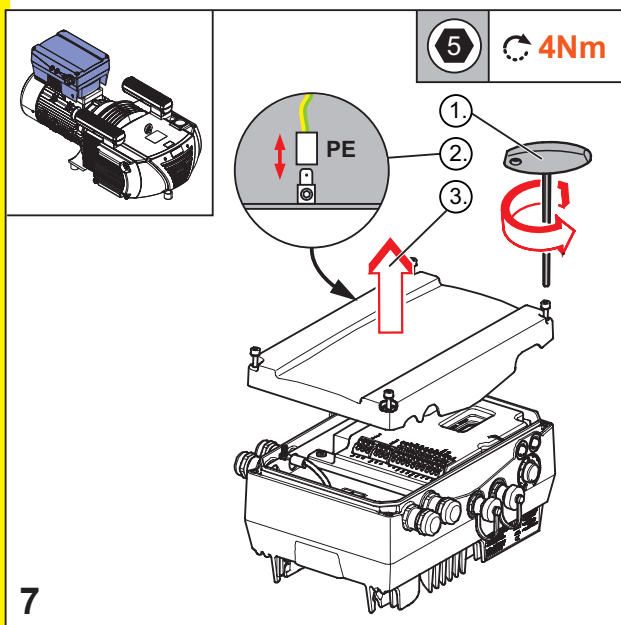
..... Hz

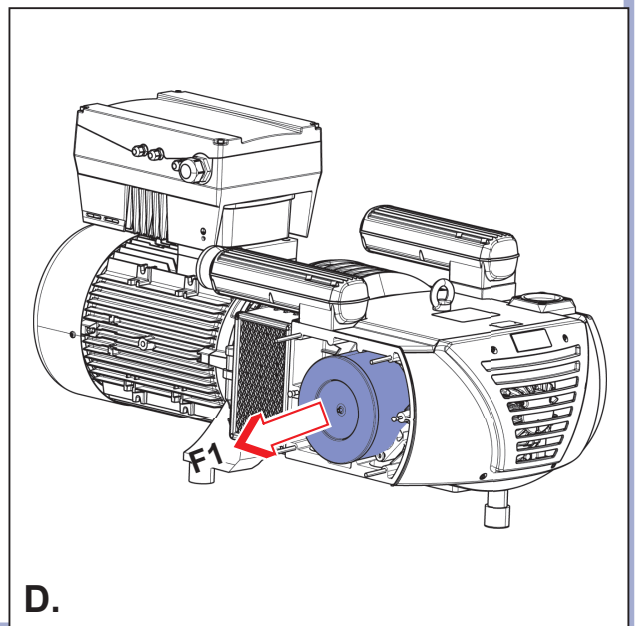
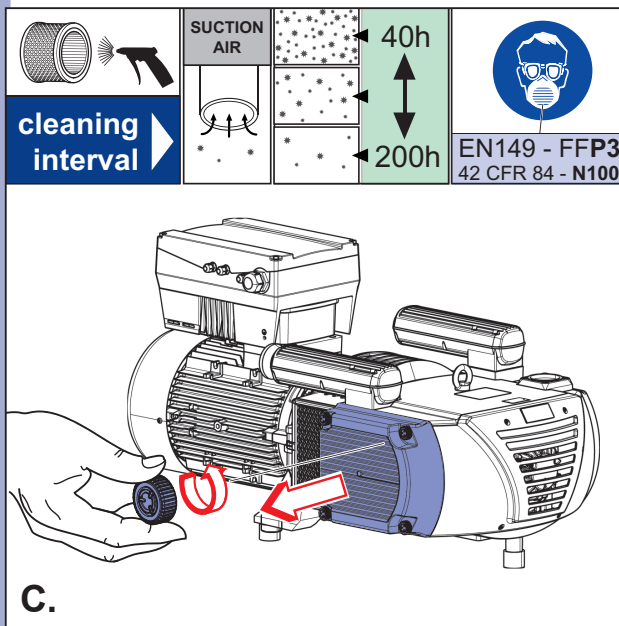
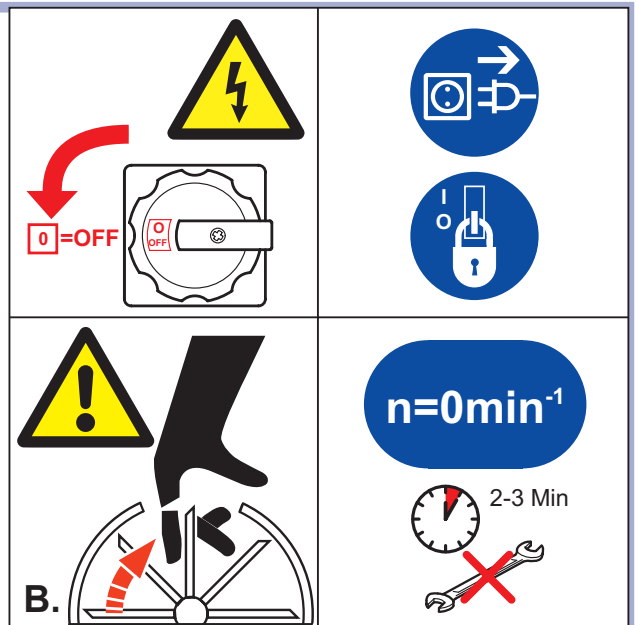
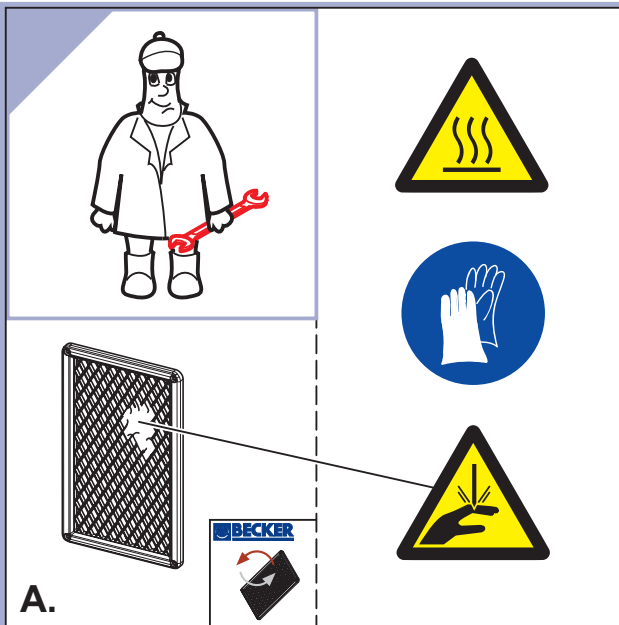
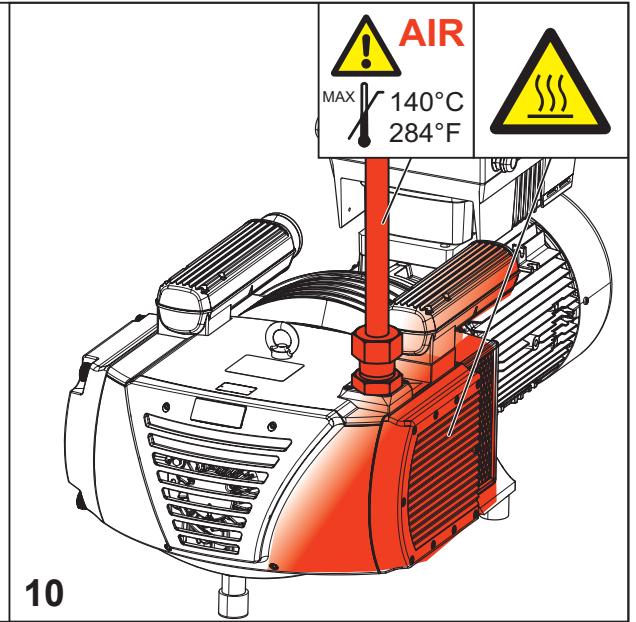
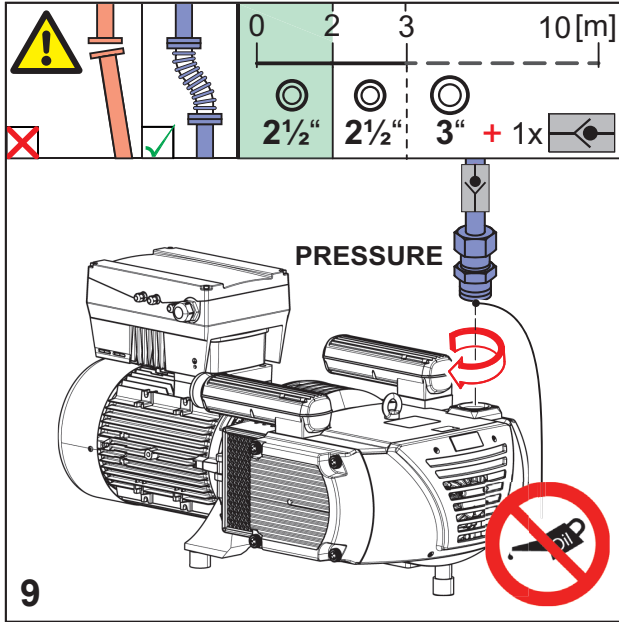
IP... CE

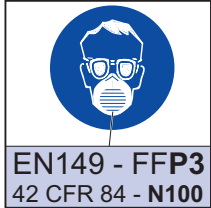
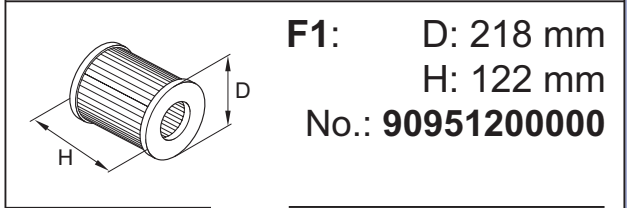
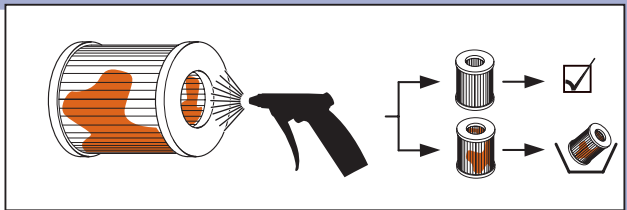
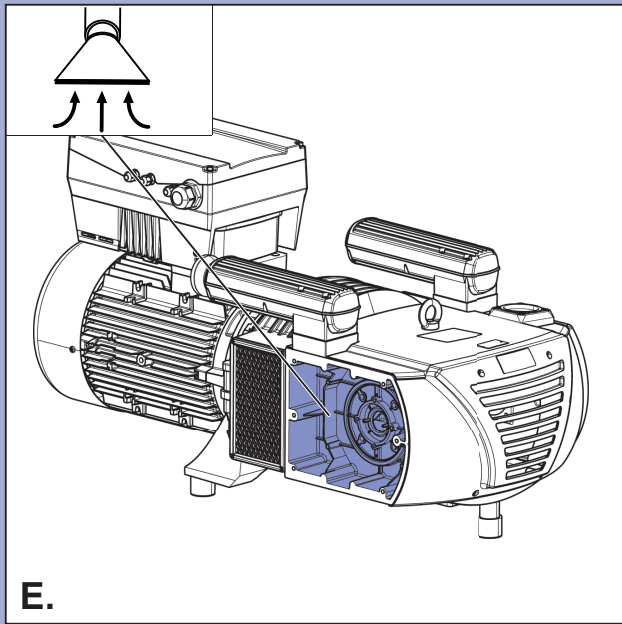
Art.-Nr. VAU 11-22 ...

.....

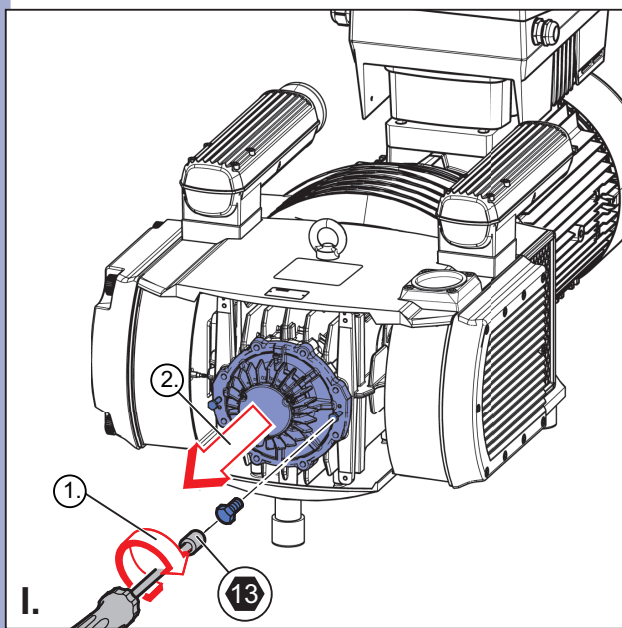
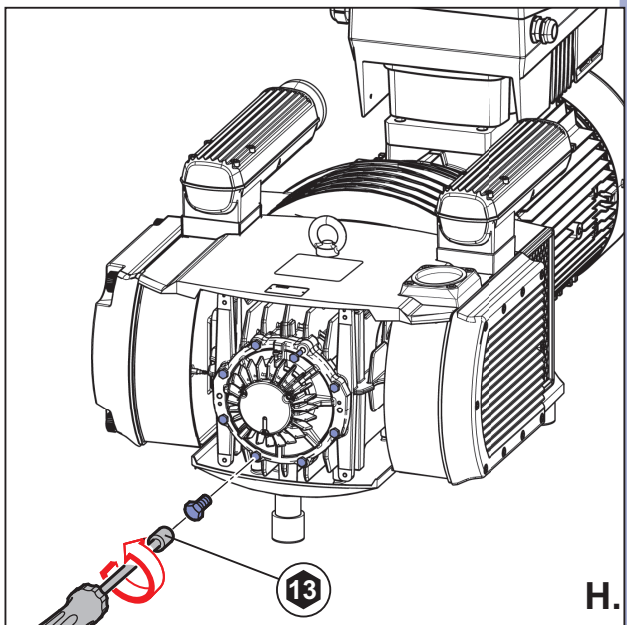
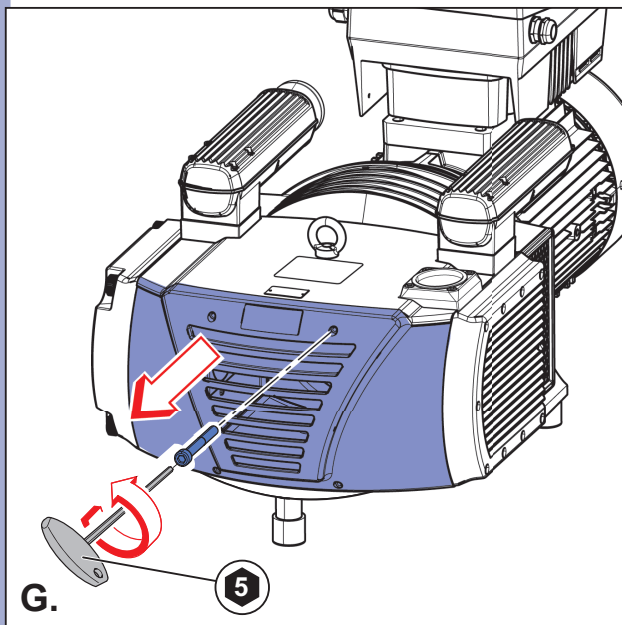
6







**F.**



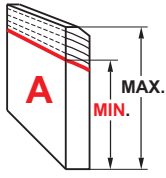
 <b>3000 h</b>	
	<p><b>DTLF 2.250/0-4XX</b>  <math>A_{MAX} = 65\text{mm}</math>  <math>A_{MIN} = 41\text{mm}</math></p> <p><del><math>A_{\text{fan}} &lt; 41\text{mm}</math></del> </p>
<p>DTLF 2.250/0-4XX → No. 90136701005 (SET)</p> <p><b>J.1</b></p>	





7500 h

**X**  
SERIES



DXLF 2.250/0-4XX

$A_{MAX} = 64\text{mm}$

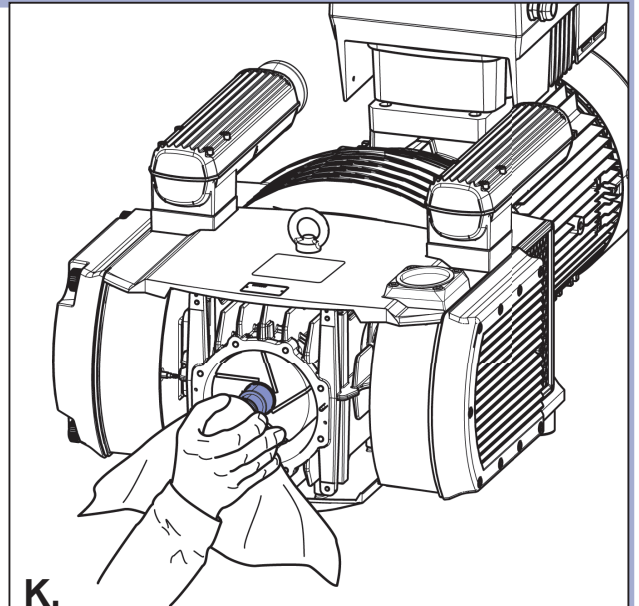
$A_{MIN} = 41\text{mm}$

$A_{T} < 41\text{mm}$

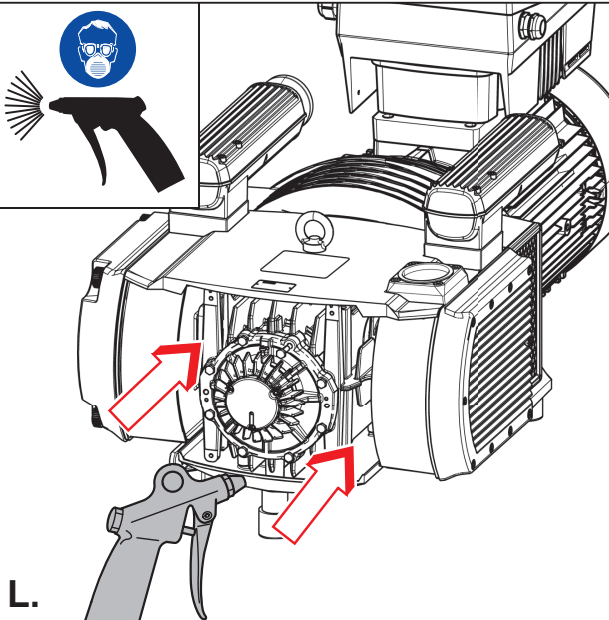


VXLF 2.250/0-4XX → No. 90132500005 (SET)

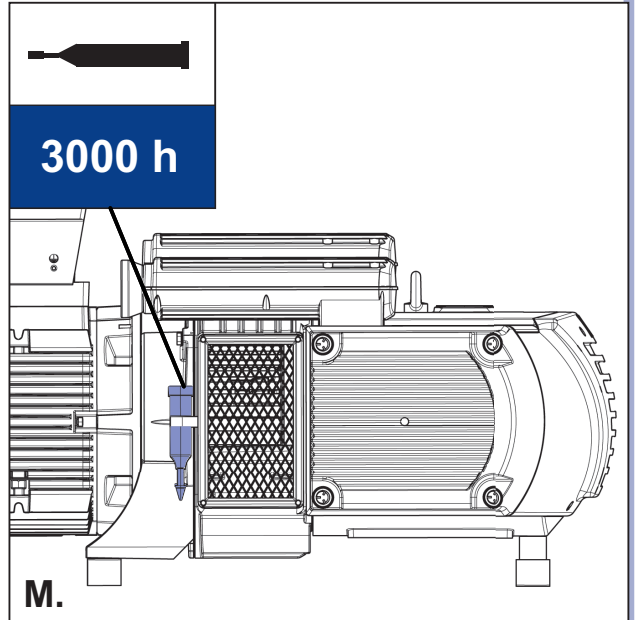
J.2



K.

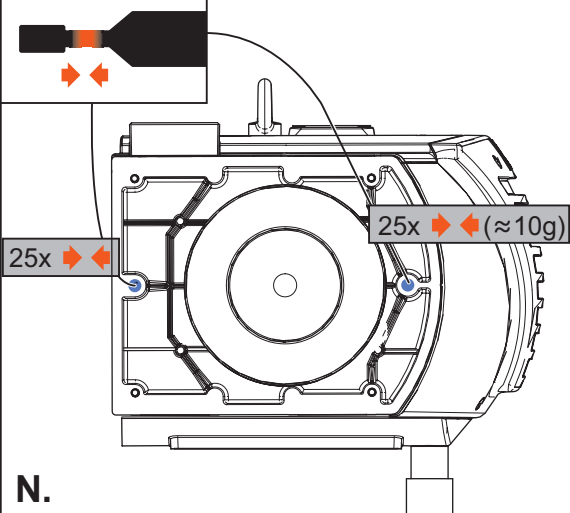


L.

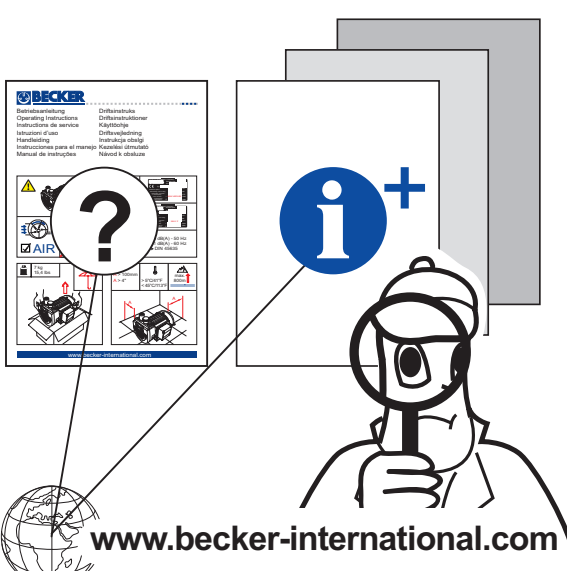



M.

Special grease  
No. 74330300000



N.

 <p><b>www.becker-international.com</b></p>	 <p>Gebr. Becker GmbH Hölker Feld 29-31 D-42279 Wuppertal info@becker-international.com</p> <hr/>  <p><b>SERVICE</b> <a href="http://www.becker-international.com">www.becker-international.com</a> Sales and service network</p>
--	---